



BELT 30
SERIES

BELT 30 SERIES

VERSATILE LIGHTING SYSTEM

Taking the concept of the light rail to a new level. It allows free placement of the luminaires and the creation of unique lighting solutions .

Simple and progressive, merges the design of a belt with a groundbreaking lighting concept. Featuring a textural, fabric belt that conducts electricity, it enables light to flow in space.





farnotte

IL DESIGN ITALIANO
PER L'ILLUMINAZIONE



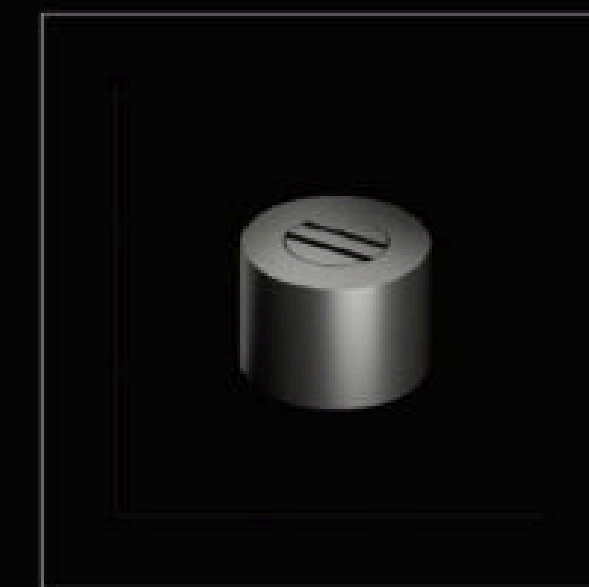
POWER SUPPLY INSTALLATION DEMONSTRATION

The belt flows in and out of the canopy, establishing conductivity and electrical connection where needed



FIXED CYLINDER AND FIXED RING-RECESSED INSTALLATION DEMONSTRATION

cylinder bracket fix on the ceiling to hold the belt or as a feeder, recessed ring fixed on the ceiling to hold the belt or as a feeder.

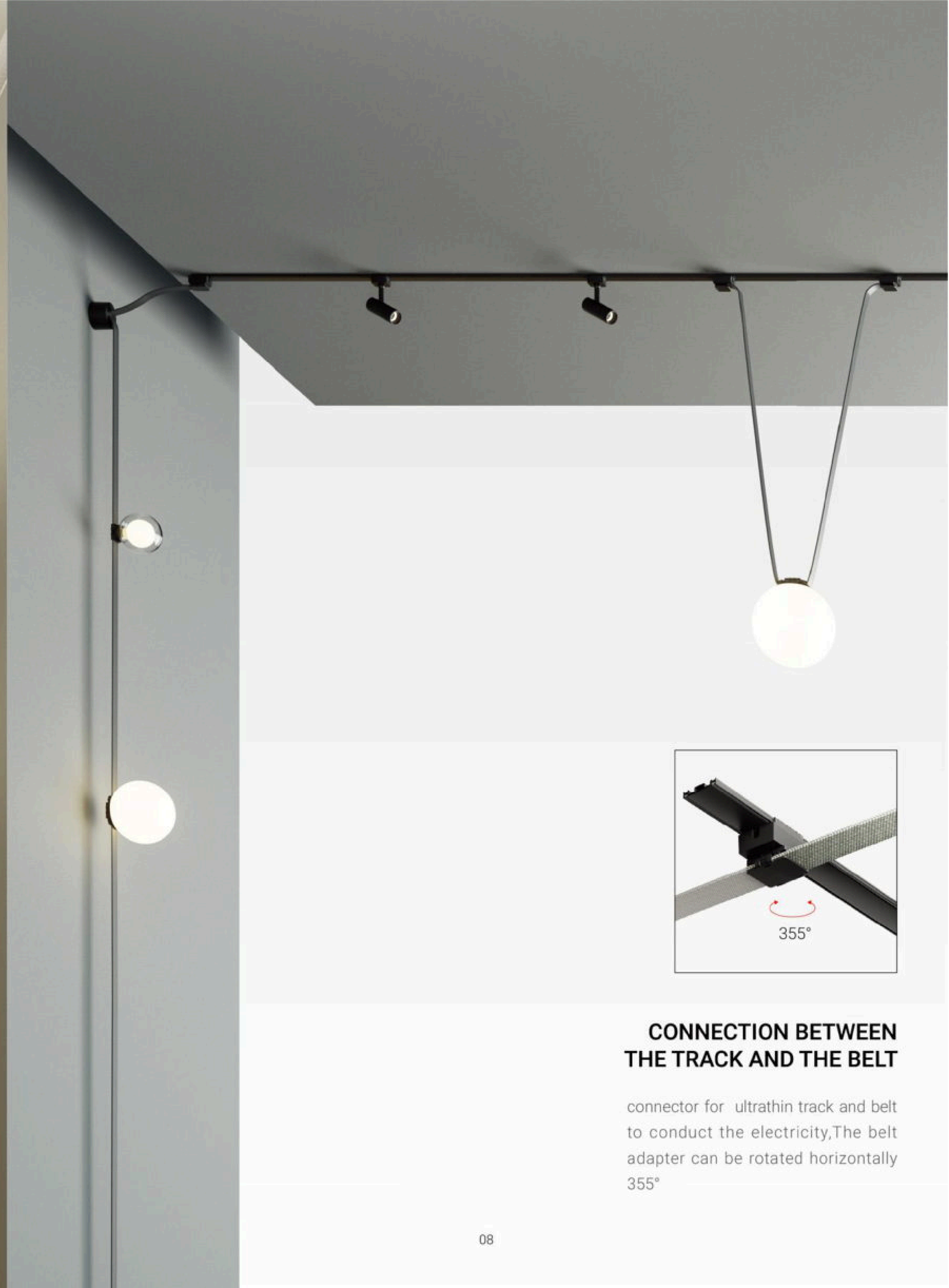


farnotte

IL DESIGN ITALIANO
PER L'ILLUMINAZIONE

MULTIPLE COLORS AVAILABLE

There are five colors to choose from for the belt:
Brick red, dark blue, beige, light green, black.
According to the different application, create your
own unique style



CONNECTION BETWEEN THE TRACK AND THE BELT

connector for ultrathin track and belt
to conduct the electricity, The belt
adapter can be rotated horizontally
355°

Rich colors can be freely combined to suit different scenes.
The lamps of several colors collide and interweave in the light
and shadow, making every corner a visual focus.

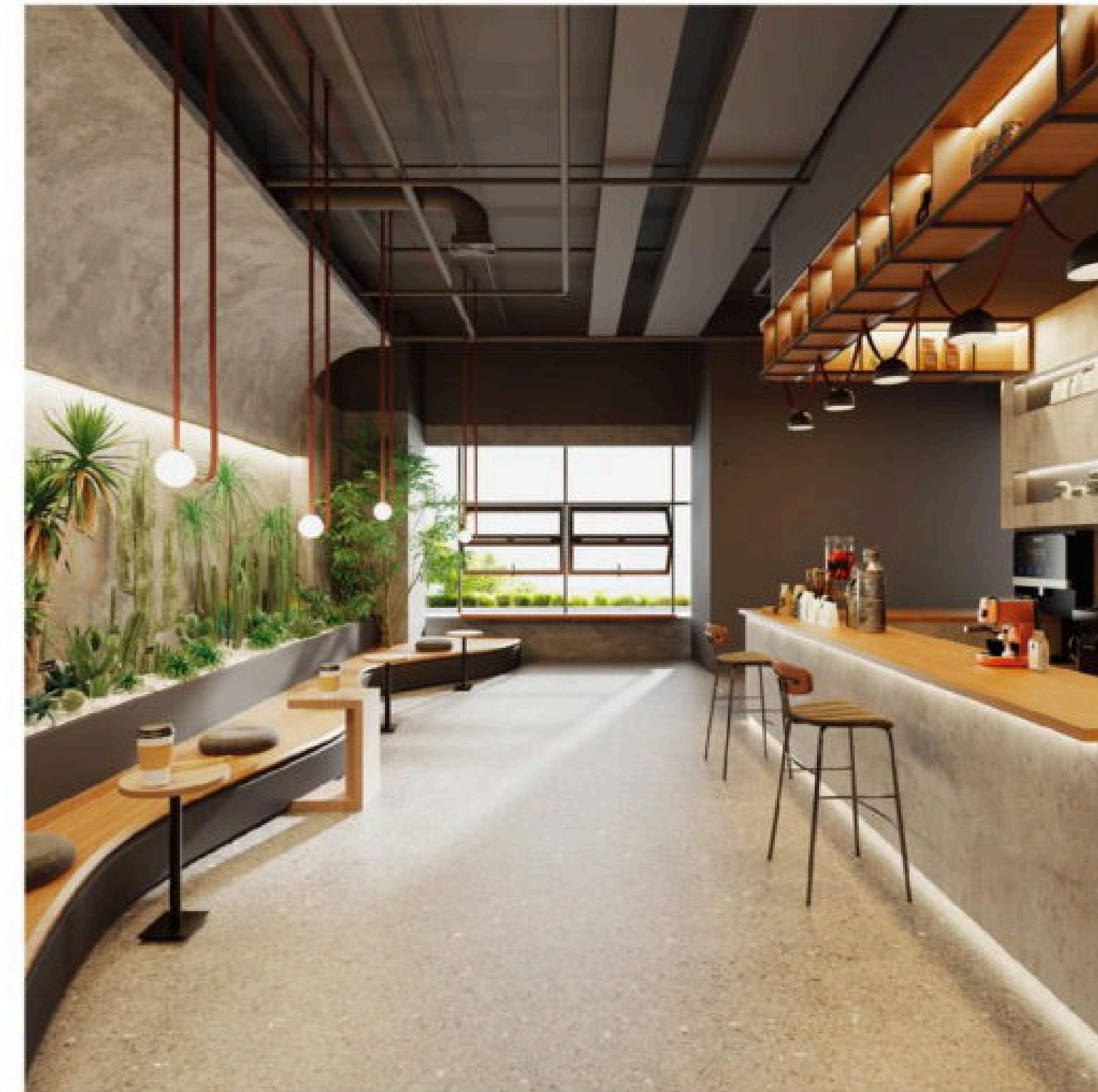
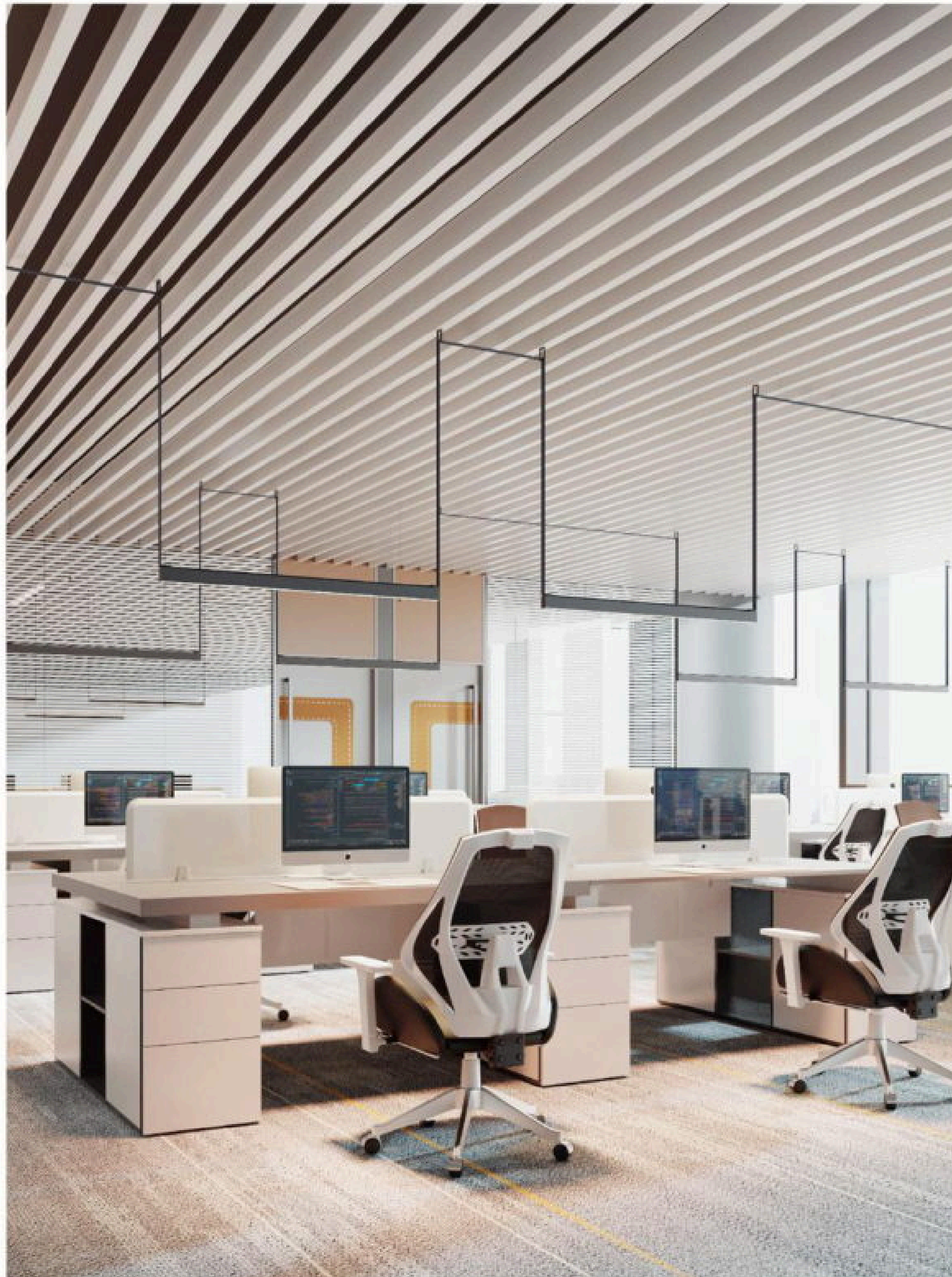


HOME DECORATION SCENE

Suitable for home decoration scenarios such as living room, study, and dining table at home.



Both object of beauty and high-performance lighting toolkit, offers personalised atmospheres while doubling as striking visual sculpture.

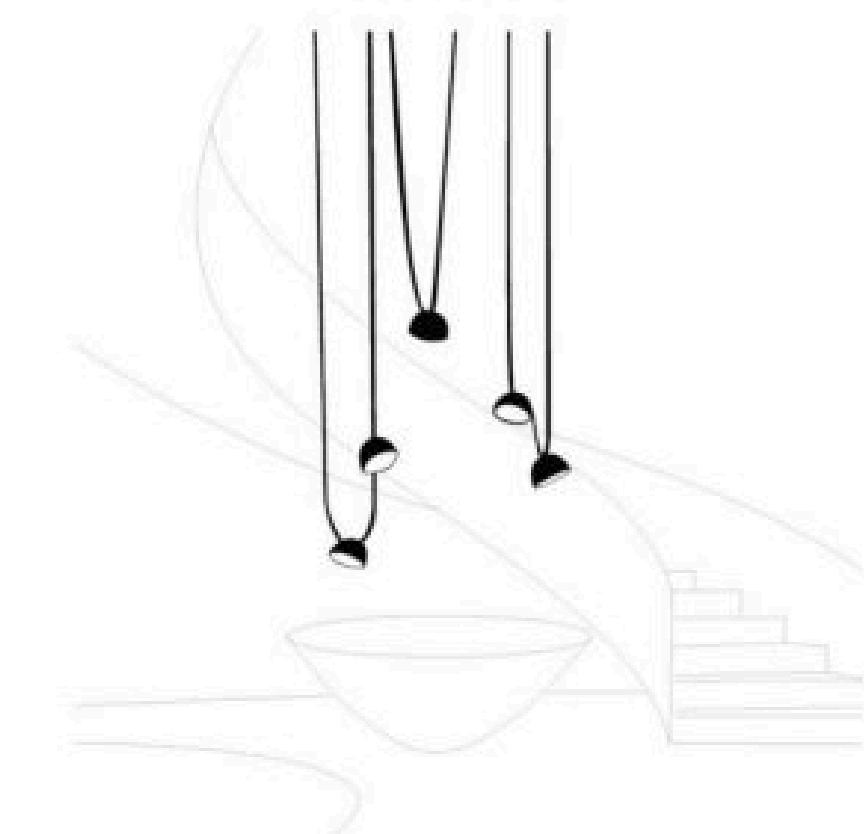
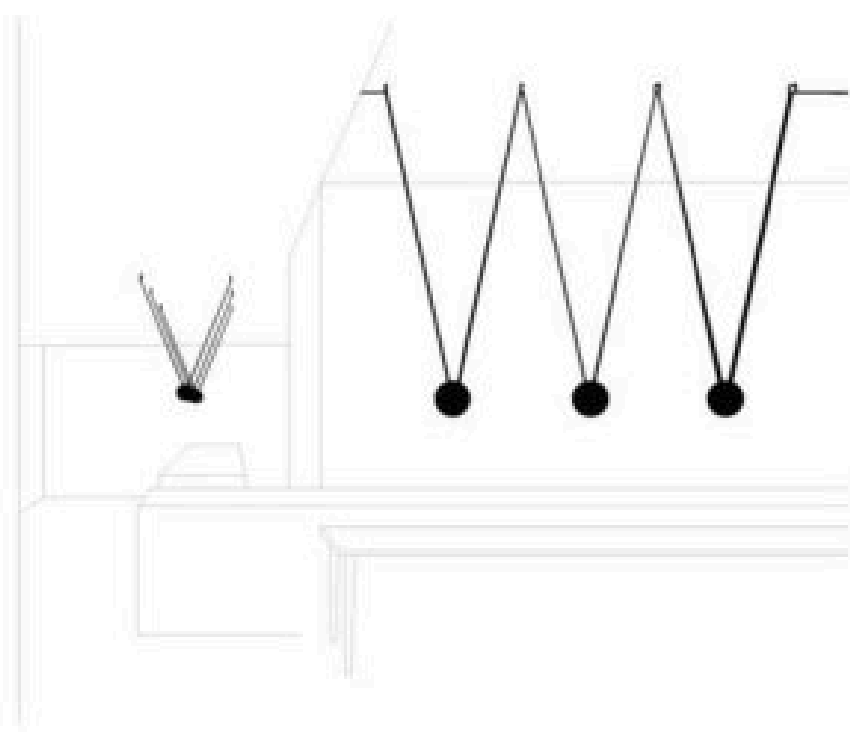
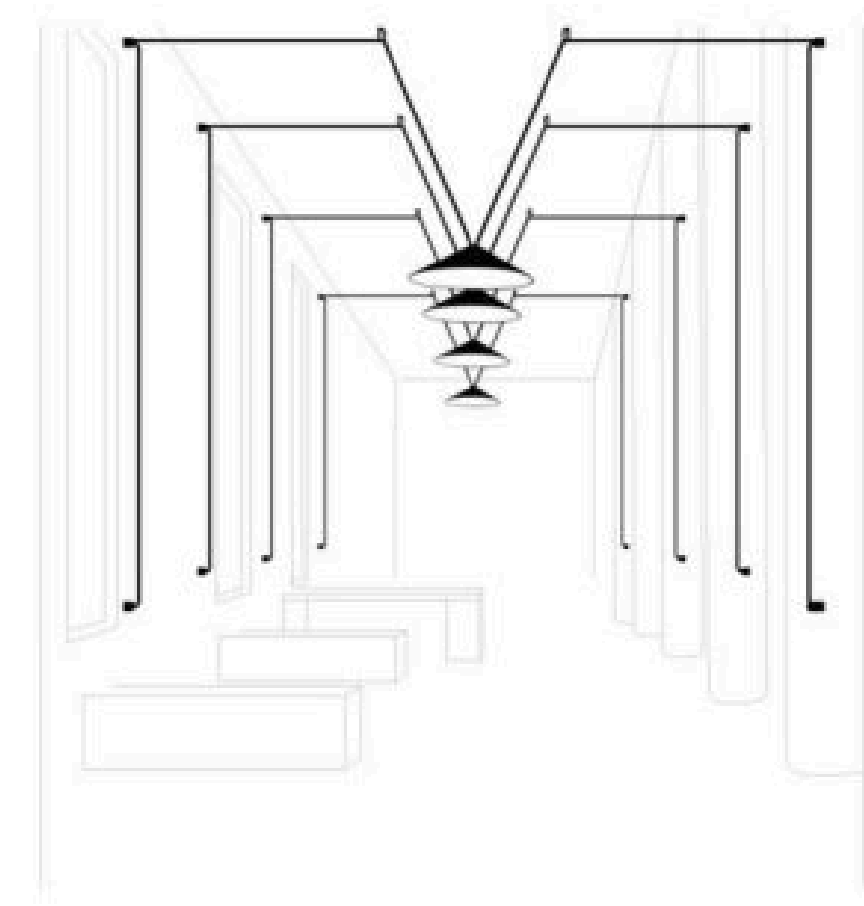
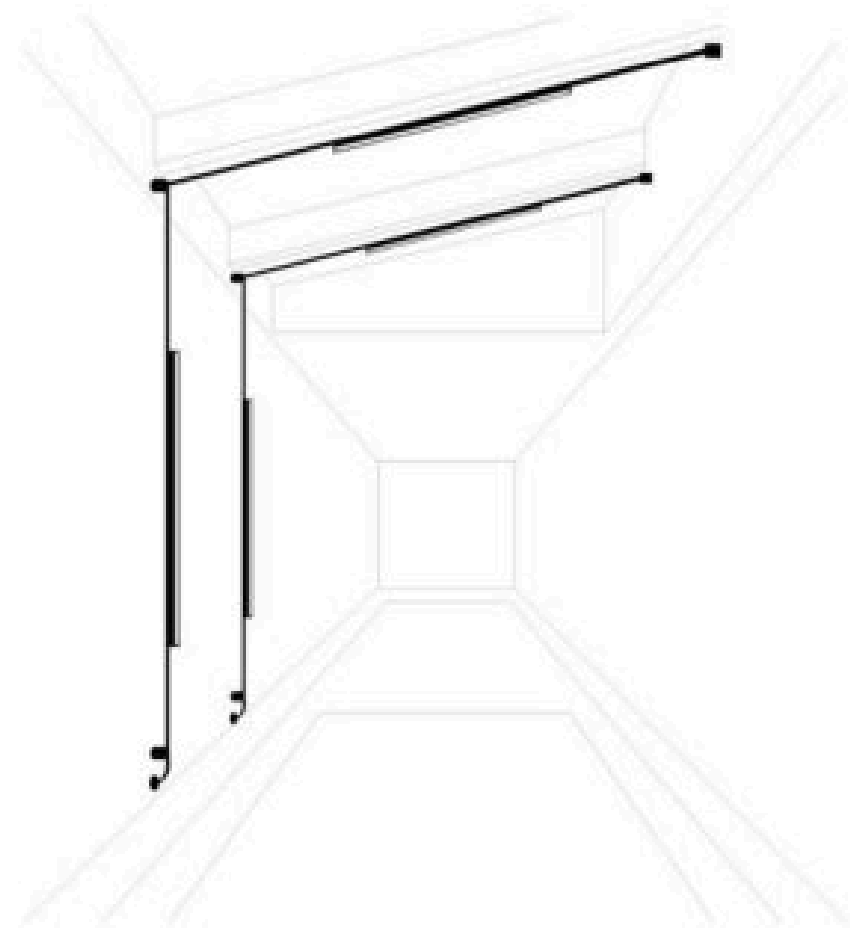
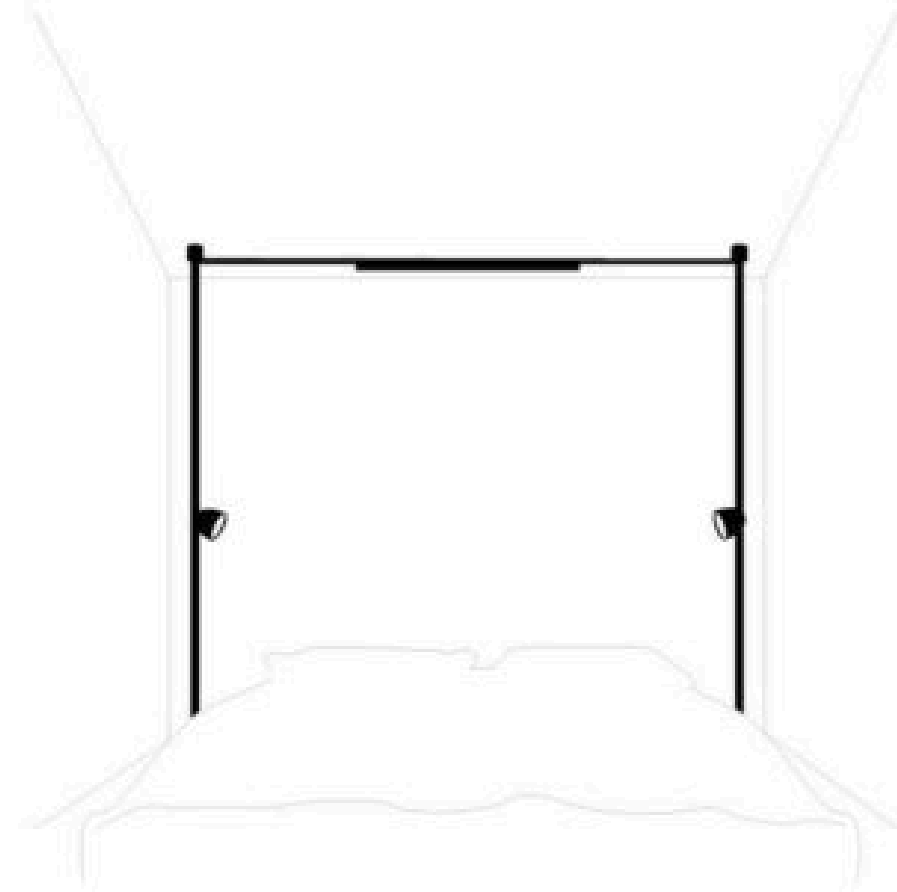
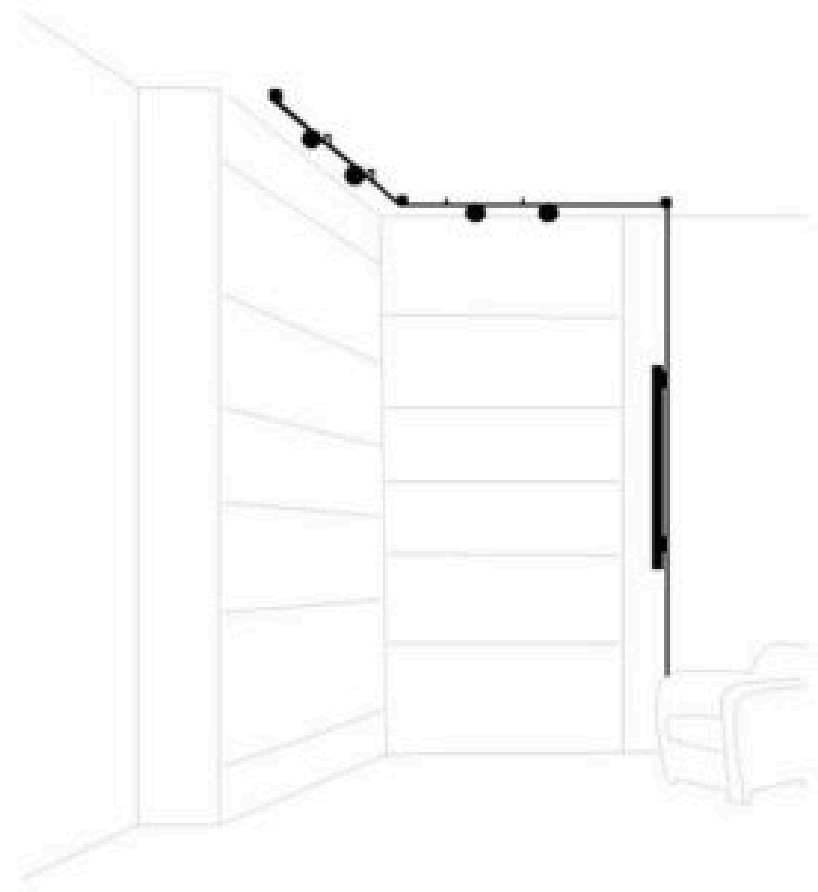


WORKWEAR SCENARIO

Suitable for workwear scenarios such as restaurants, bars, and front desk.



A VARIETY OF MODELING LINE DRAWINGS



EASY CONNECTION

Each belt, which can be cut as needed, accommodates multiple luminaires and operates with simple plug-in technology for unparalleled ease of installation and connection. The belt offers adjustments in tension from taut to relaxed as well as click-and-connect functionality, snapping into a buckle attached to each luminaire.

THERE ARE THREE WAYS TO CONNECT THE POWER SUPPLY

Single outlet

Dual outgoing wires are connected downward

Double outlet

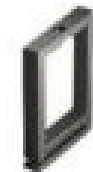
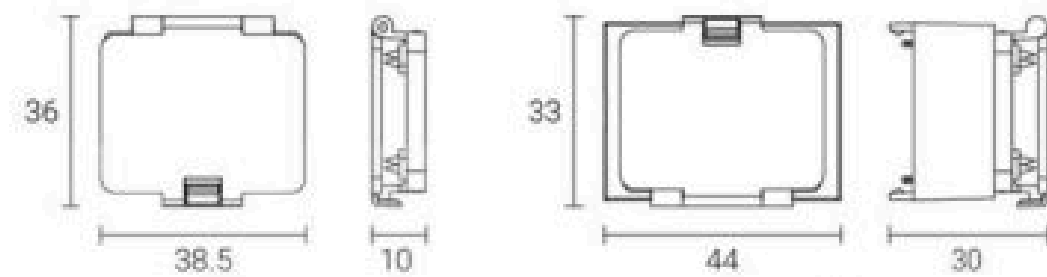




CONDUCTIVE MODULE

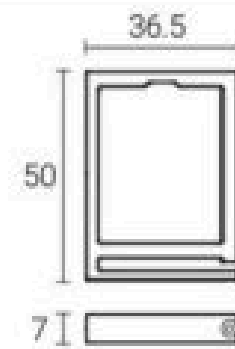
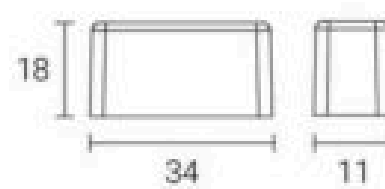
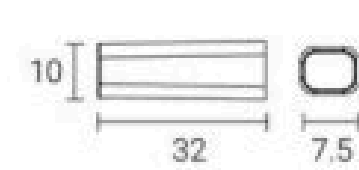
Model NO.	BT30-10M/BT-20M/BT30-30M	BT30-AD1	BT30-AD2
Product Name	BELT	Adapter	Adapter
Material	Copper & Fabric (Terylene)	PC	PC
Size	28.5*2.8mm	38.5*36*10.5mm	44*33*30mm
Description	Voltage DC48V Copper Size:1.36mm ² *2 Flexible cutting 10meters/Roll 20meters/Roll 30meters/Roll	transform the lights in ultrathin series to fix proper on the belt	connector for ultrathin track and belt to conduct the electricity

Dimensions(mm)



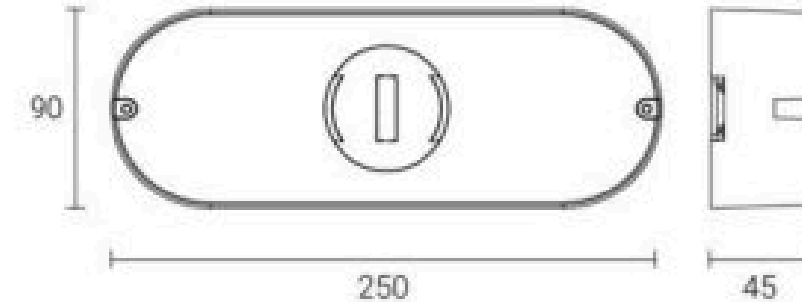
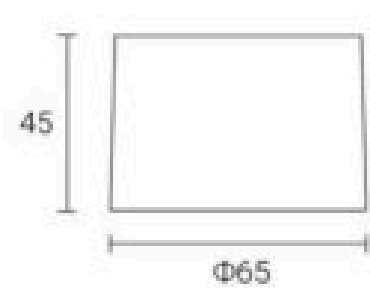
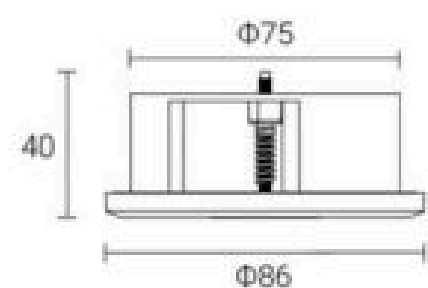
Model NO.	BT30-CAP1	BT30-CAP2	BT30-F01
Product Name	End cap	End cap	Fixed Bracket
Material	PC	PC	PC
Size	32*10*7.5mm	34*18*11mm	50*36.5*7mm
Description	end cap for single belt	end cap for double belt	bracket fix on the ceiling to hold the belt

Dimensions(mm)



Model NO.	BT30-F04	BT30-F02	BT30-H0S-SP	BT30-SP100/BT30-SP200
Product Name	Fixed Ring-Recessed	Fixed Cylinder	Housing for Power Supply	Power Supply
Material	PC	PC	PC	PC
Size	Φ86*40mm	Φ65*45mm	250*90*45mm	154*80*25mm
Description	recessed ring fixed on the ceiling to hold the belt or as a feeder; Cut out size:Φ75mm	cylinder bracket fix on the ceiling to hold the belt or as a feeder	The power supply can be put inside this casing and installed surface on the ceiling	Power:100w/200w Input Voltage:220Vac Output Voltage:DC48V Current:2.1A/4.2A

Dimensions(mm)

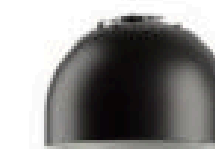
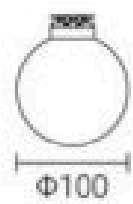
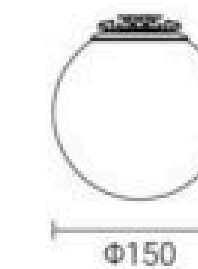
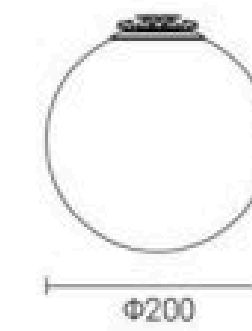


PRODUCT INFORMATION



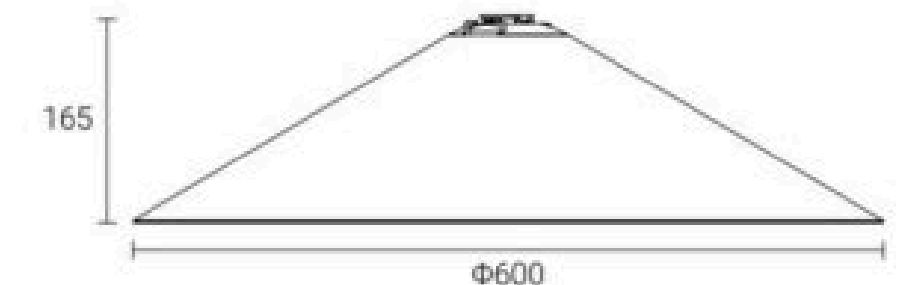
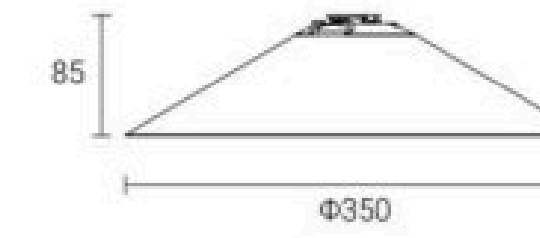
Model NO.	BT30-HB200	BT30-HB150	BT30-G100
Power	7W	7W	4W
CCT	3000K/4000K/5000K	3000K/4000K/5000K	3000K/4000K/5000K
Voltage	DC48V	DC48V	DC48V
CRI	>90	>90	>90
Beam Angle	320°	250°	110°
Material	Aluminum+Glass	Aluminum+Glass	Aluminum+Glass
Color	Black	Black	Black
Life	30 000H	30 000H	30 000H
Warranty	3 Years	3 Years	3 Years

Dimensions(mm)



Model NO.	BT30-HR200	BT30-HT350	BT30-HT600
Power	12W	12W	20W
CCT	3000K/4000K/5000K	3000K/4000K/5000K	3000K/4000K/5000K
Voltage	DC48V	DC48V	DC48V
CRI	>90	>90	>90
Beam Angle	90°	120°	24°
Material	Aluminum	Aluminum	Aluminum
Color	Black	Black	Black
Life	30 000H	30 000H	30 000H
Warranty	3 Years	3 Years	3 Years

Dimensions(mm)

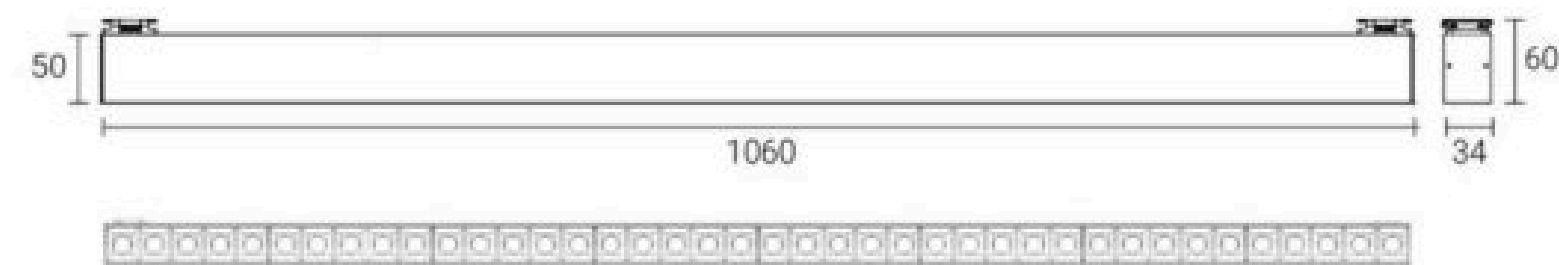


PRODUCT INFORMATION



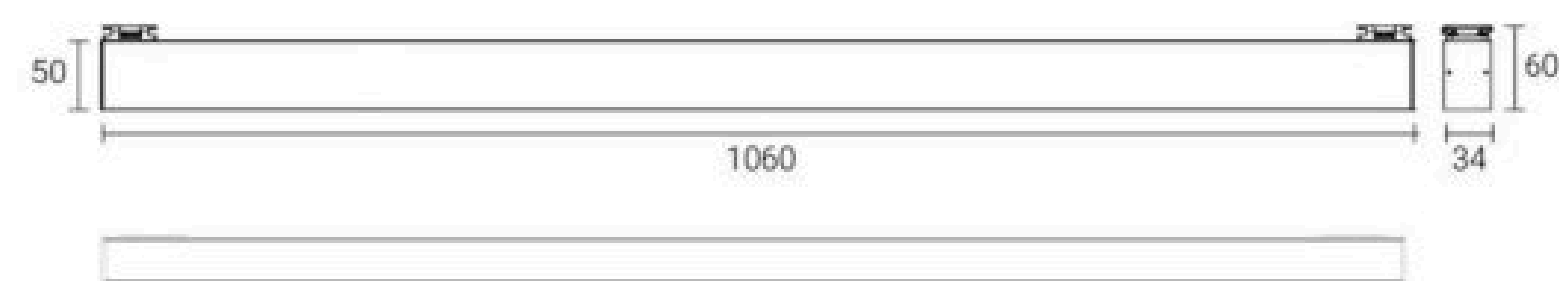
Model NO.	BT30-LB40
Power	40W
CCT	3000K/4000K/5000K
Voltage	DC48V
CRI	>90
Beam Angle	30°
Material	Aluminum
Color	Black
Life	30 000H
Warranty	3 Years

Dimensions(mm)



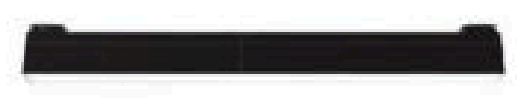
Model NO.	BT30-DF1060
Power	48W
CCT	3000K/4000K/5000K
Voltage	DC48V
CRI	>90
Beam Angle	105°
Material	Aluminum
Color	Black
Life	30 000H
Warranty	3 Years

Dimensions(mm)



Model NO.	BT30-LB10	BT30-LB20
Power	10W	20W
CCT	3000K/4000K/5000K	3000K/4000K/5000K
Voltage	DC48V	DC48V
CRI	>90	>90
Beam Angle	30°	30°
Material	Aluminum	Aluminum
Color	Black	Black
Life	30 000H	30 000H
Warranty	3 Years	3 Years

Dimensions(mm)



Model NO.	BT30-DF265	BT30-DF530
Power	12W	24W
CCT	3000K/4000K/5000K	3000K/4000K/5000K
Voltage	DC48V	DC48V
CRI	>90	>90
Beam Angle	105°	105°
Material	Aluminum	Aluminum
Color	Black	Black
Life	30 000H	30 000H
Warranty	3 Years	3 Years

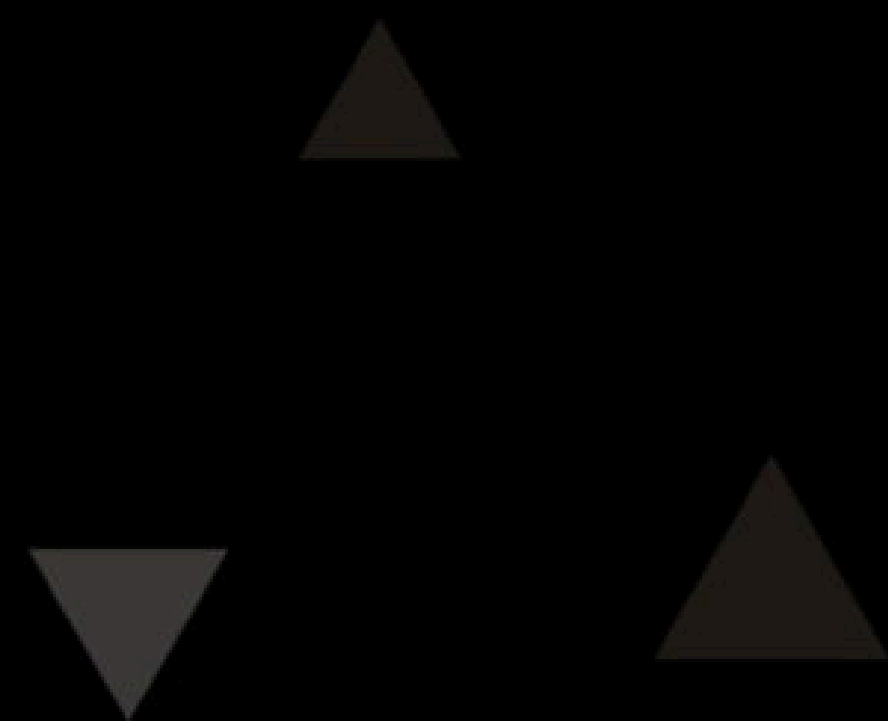
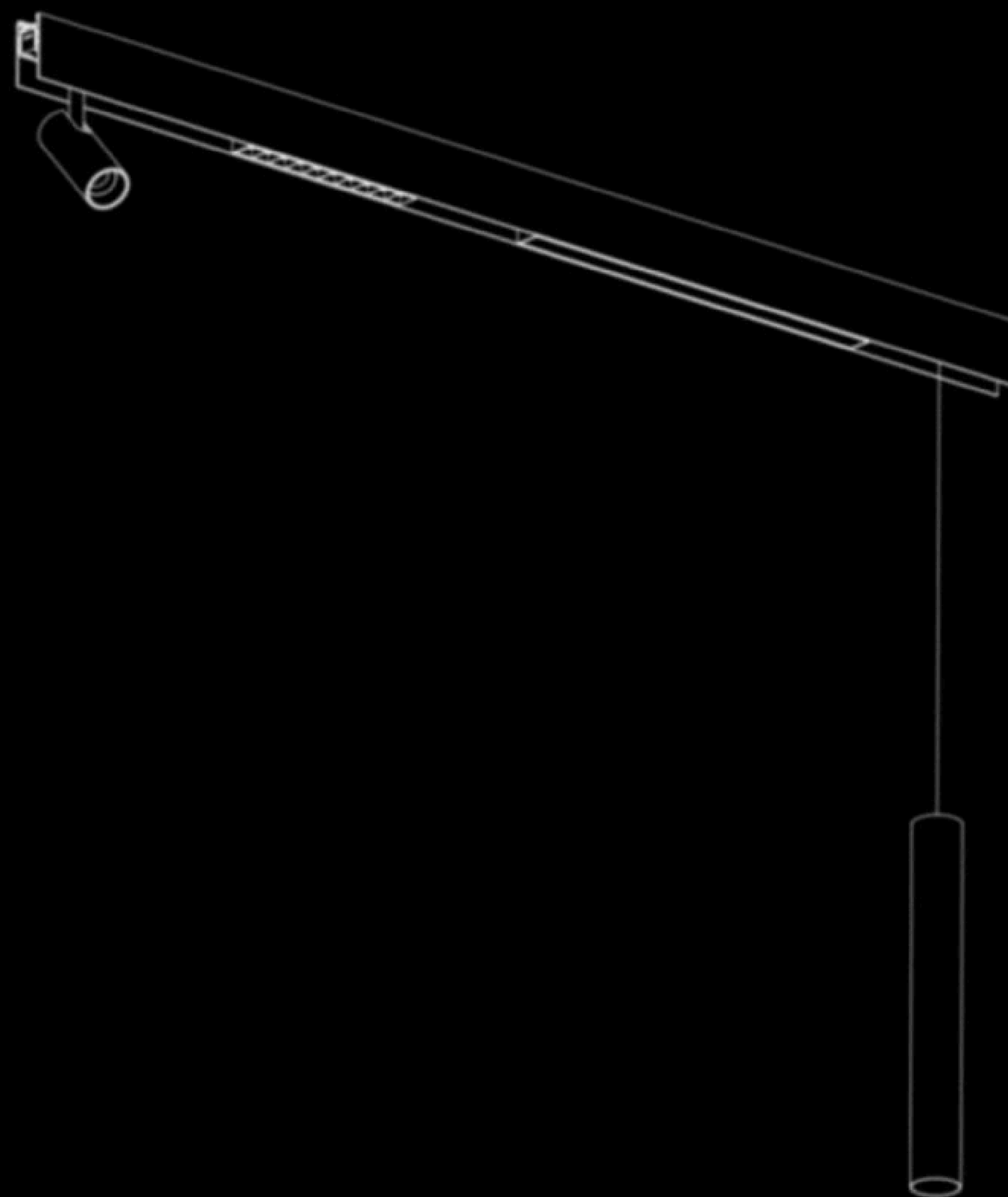
Dimensions(mm)



25

farnotte

IL DESIGN ITALIANO
PER L'ILLUMINAZIONE



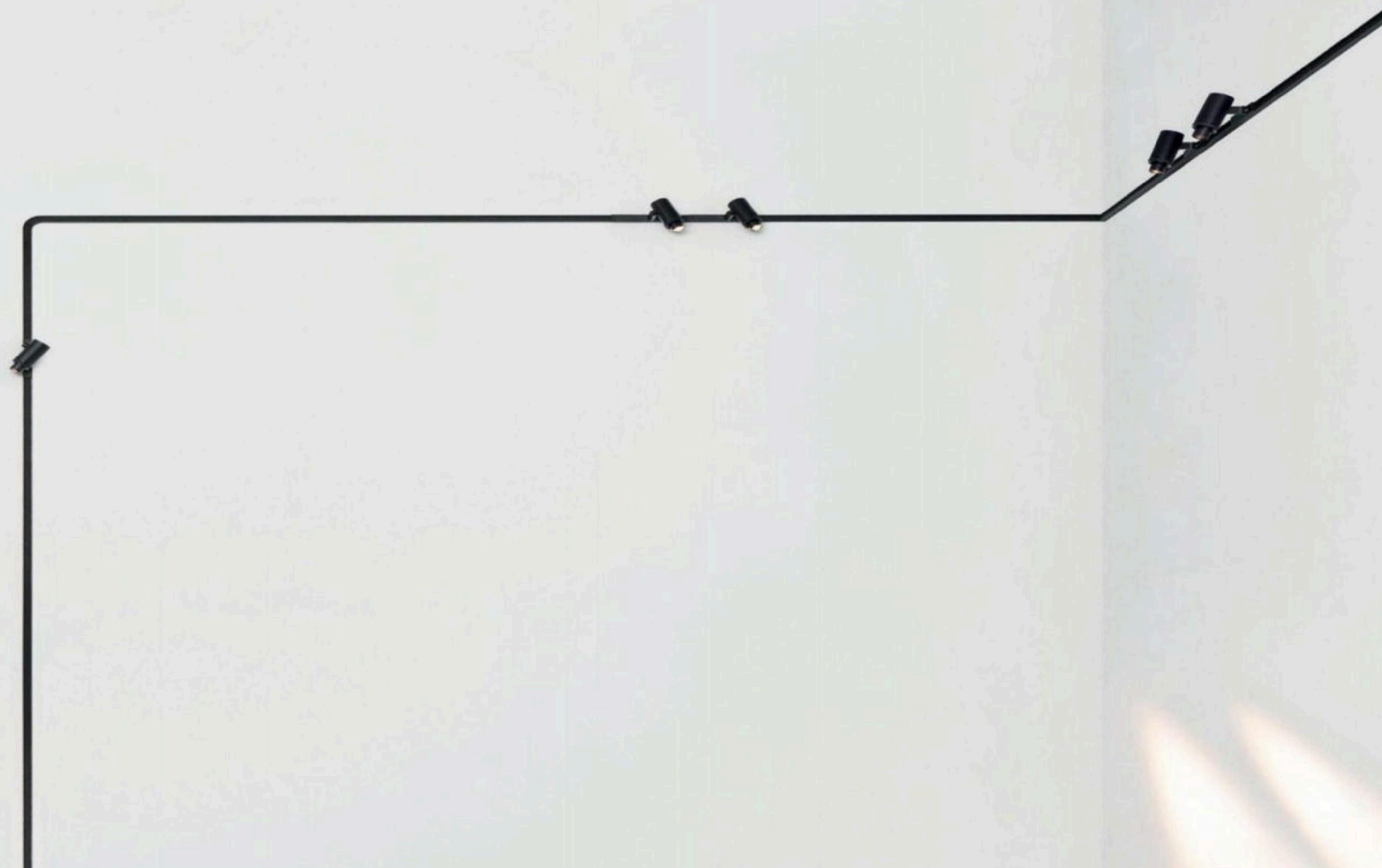
LIGHTING TECHNOLOGY CO.,LTD

farnotte

IL DESIGN ITALIANO
PER L'ILLUMINAZIONE

48V MAGNETIC TRACK

— SERIES —



INPUT MODULE



STRAIGHT CONNECT MODULE



CORNER CONNECT MODULE



Line colors

In put



+DC48V

-DC48V

+0-10V/+DALI

-0-10V/-DALI

POWER SUPPLY

48V

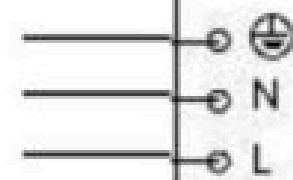
-

+

+

-

+



AC IN PUT

PUSH

PUSH

PUSH

INPUT MODULE

STRAIGHT CONNECT MODULE

CORNER CONNECT MODULE

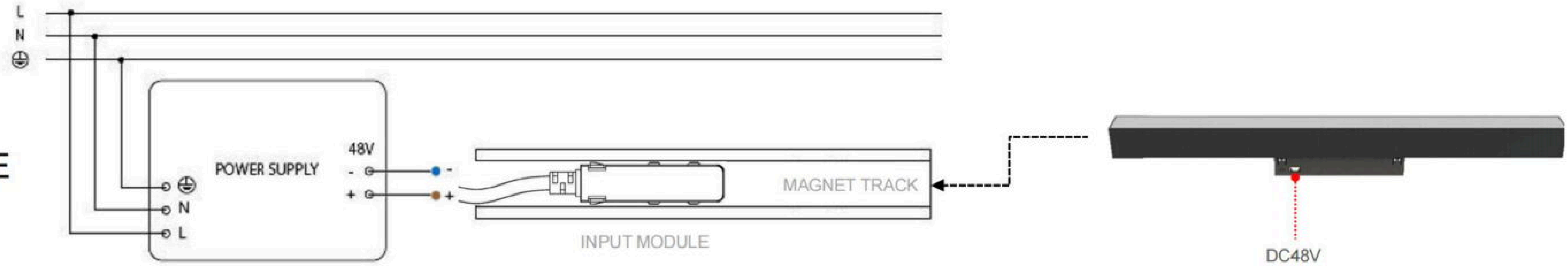
MAGNET TRACK

MAGNET TRACK

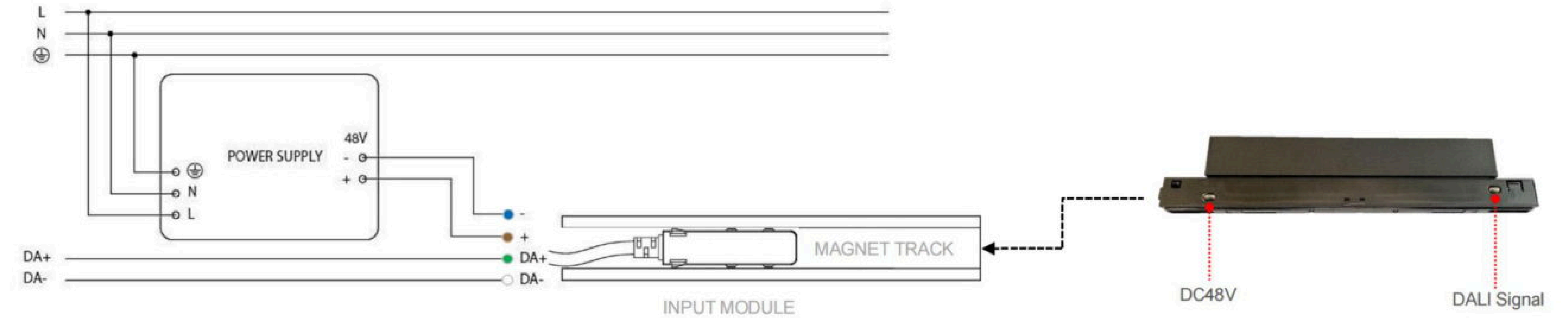
MAGNET TRACK

◆ REGULAR MODE

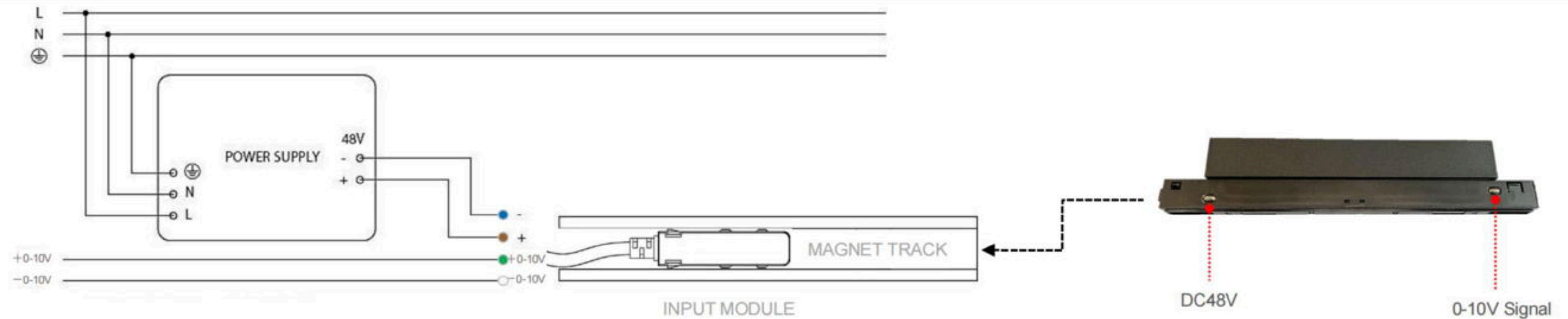
◆ BLUETOOTH MODE



◆ DALI CONTROL



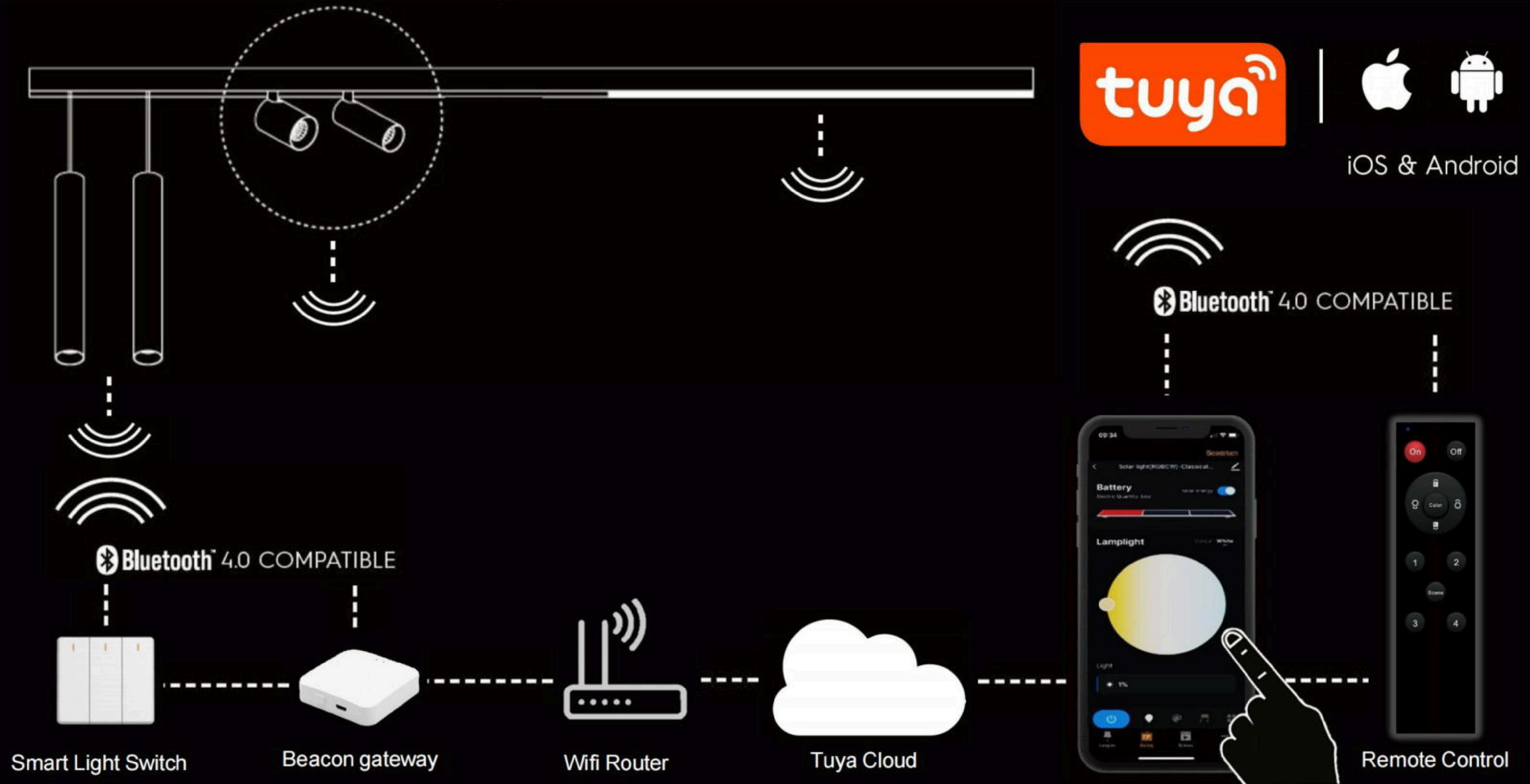
◆ 0-10V CONTROL



farnotte

IL DESIGN ITALIANO
PER L'ILLUMINAZIONE

SMART LIGHT SYSTEM



farnotte

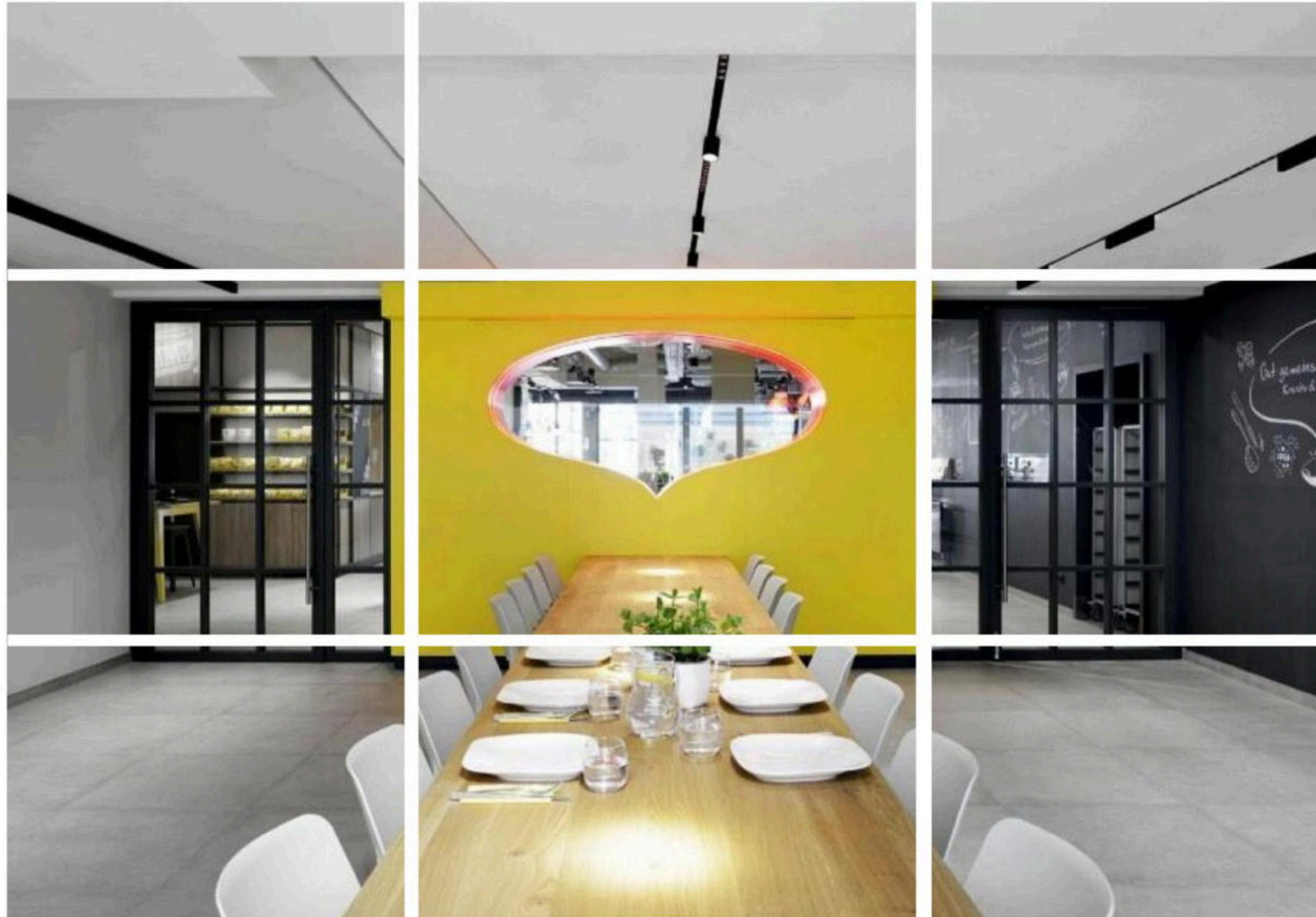
IL DESIGN ITALIANO
PER L'ILLUMINAZIONE

M20

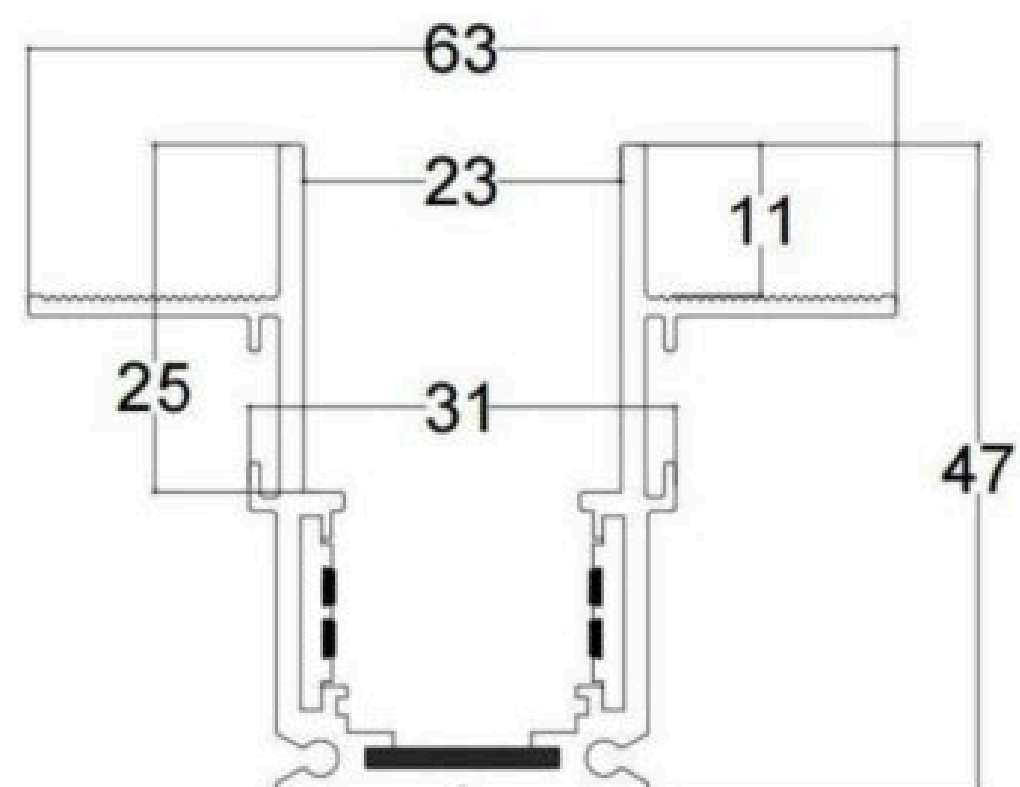
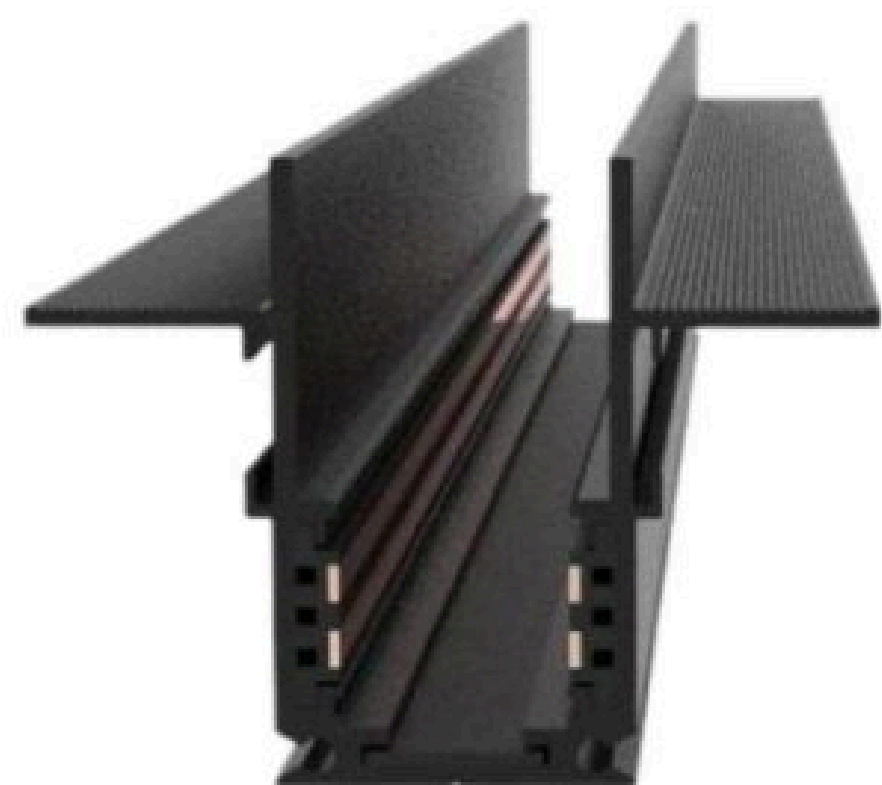
HOME USE

48V MAGNETIC TRACK

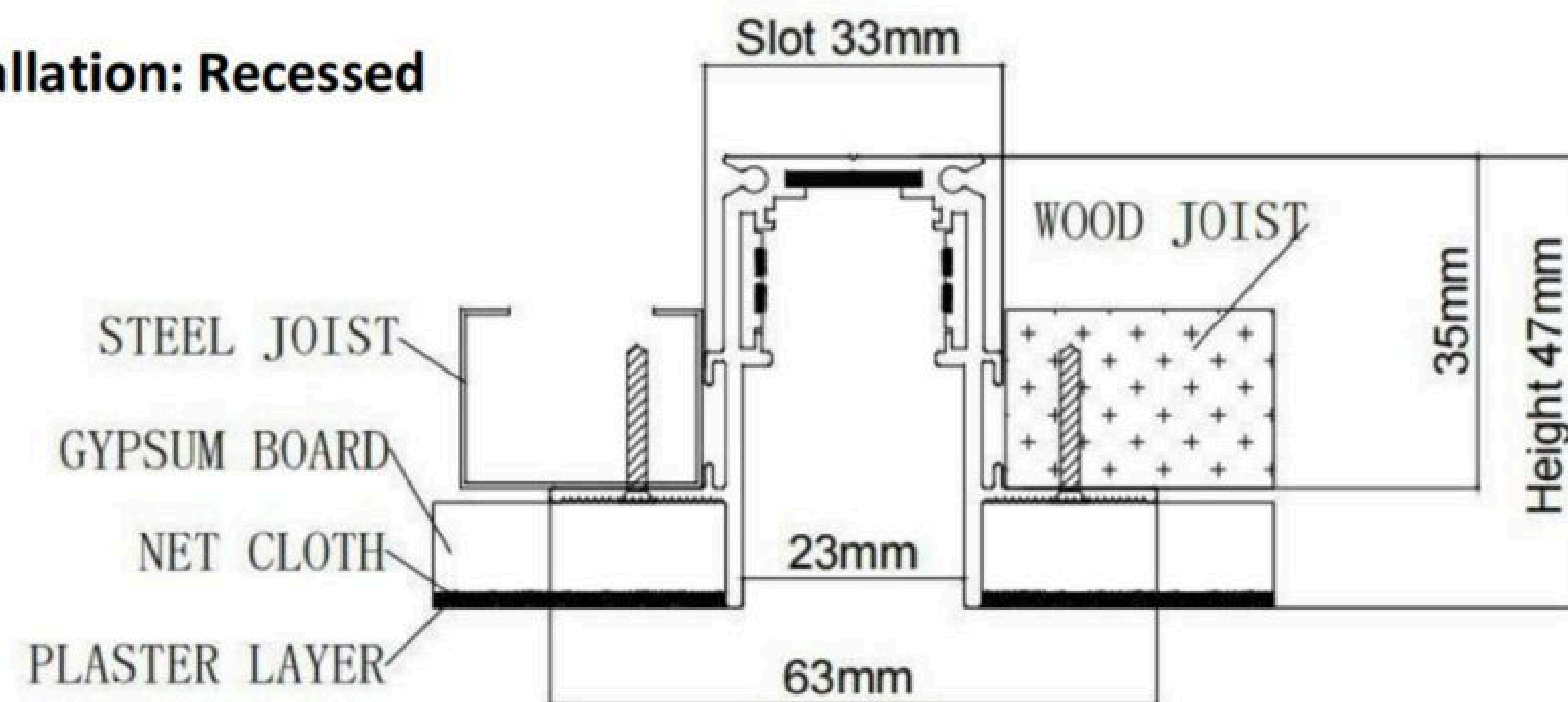
—SERIES—



20TRACK SERIE - TC20



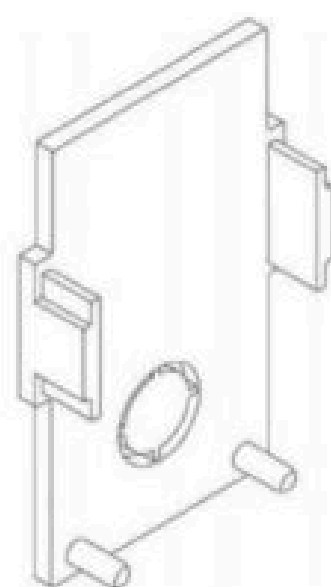
Installation: Recessed



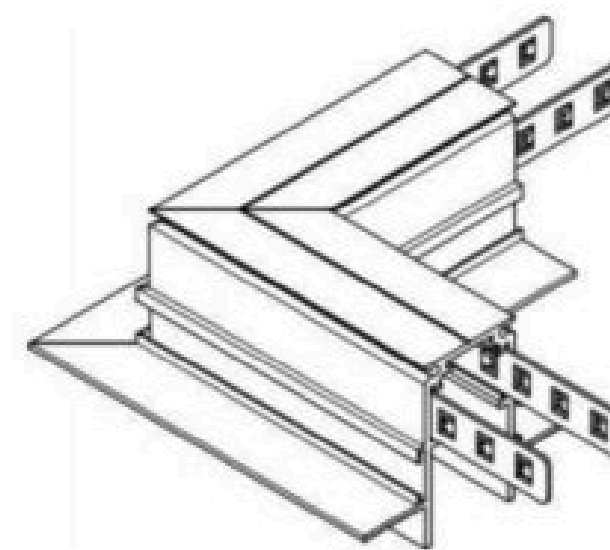
TC 20 Corners

Thickness	1.8mm
Weight	1.1kg
Standard Length	1000mm
	1500mm
	2000mm
	3000mm

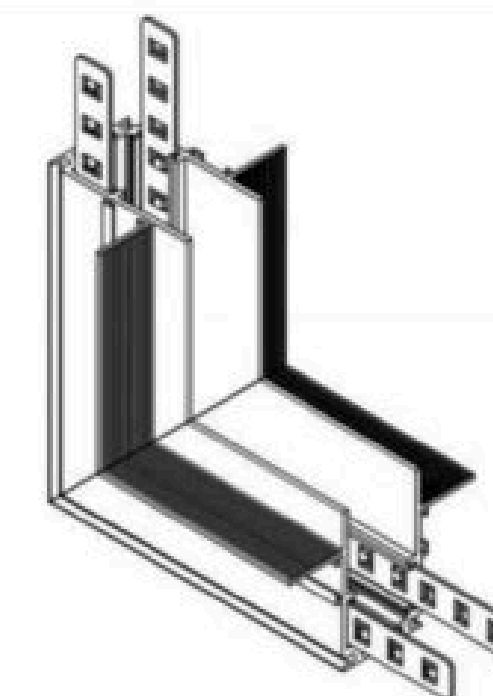
END CAPS



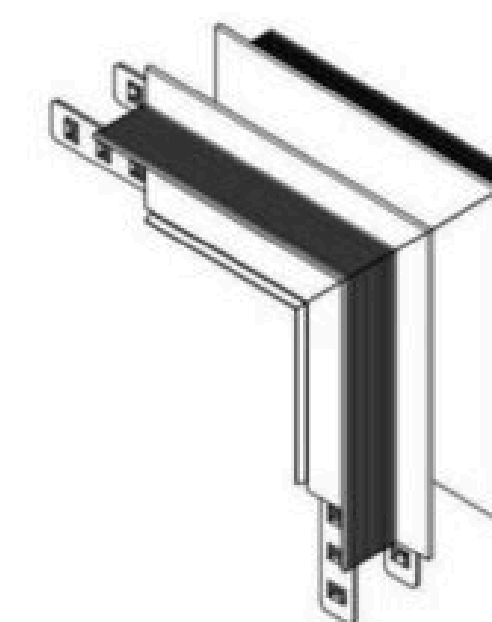
90° corner
(C TOC)



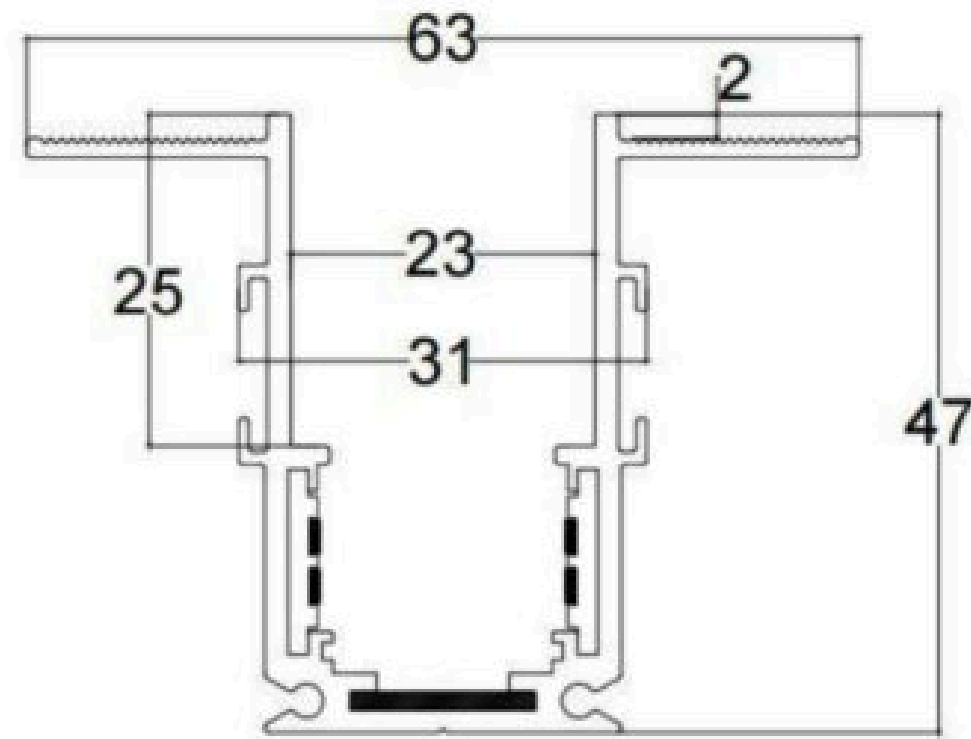
90° corner IN
(C TOW)



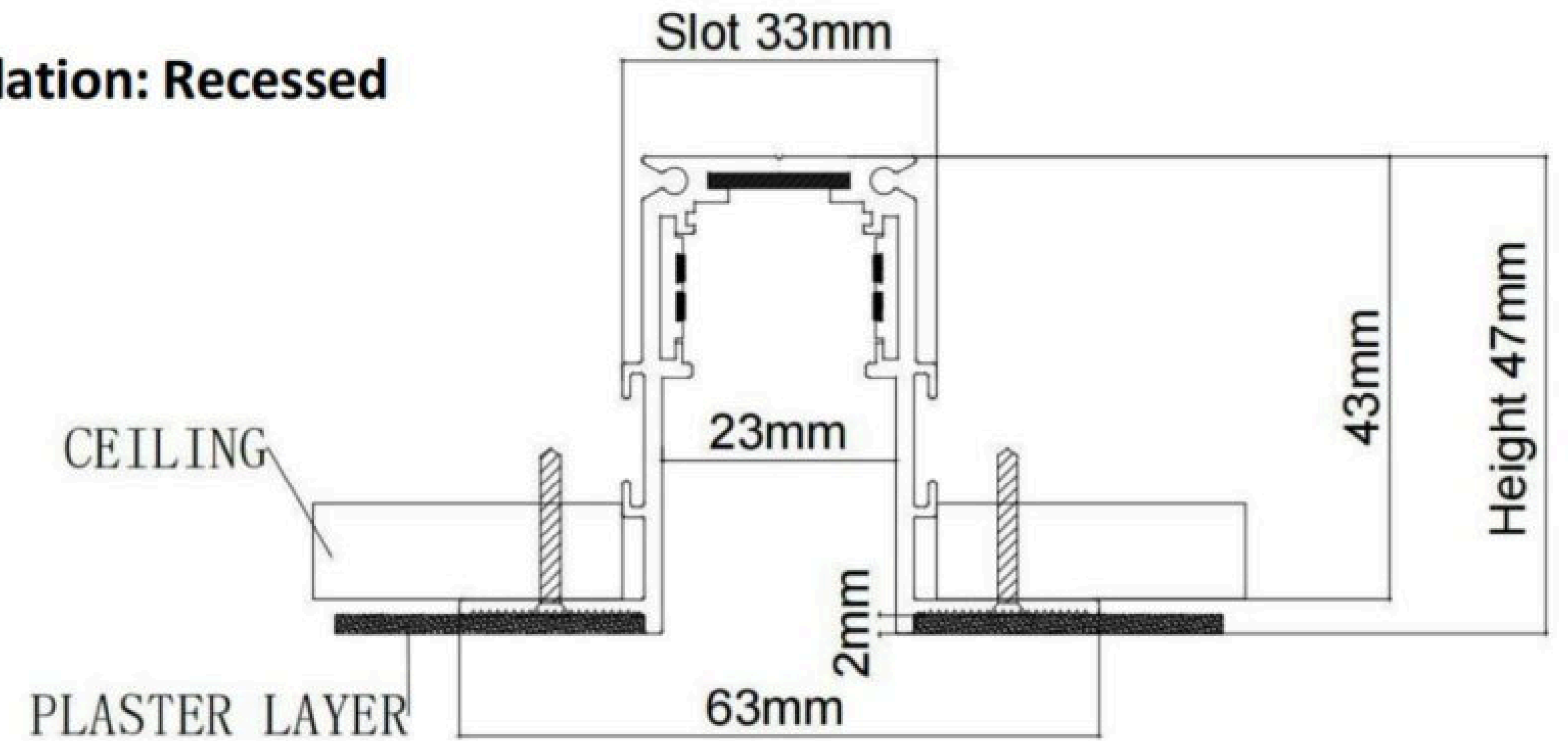
90° corner OUT
(W TOW)



20TRACK SERIE - TC20L



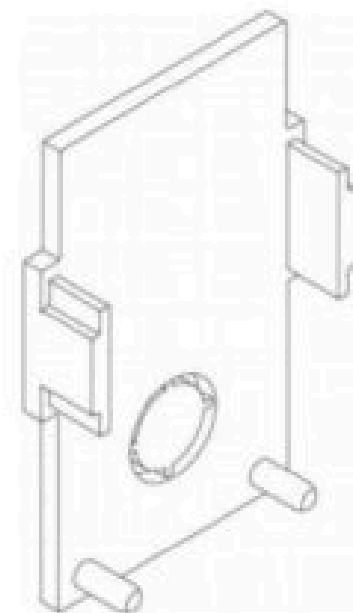
Installation: Recessed



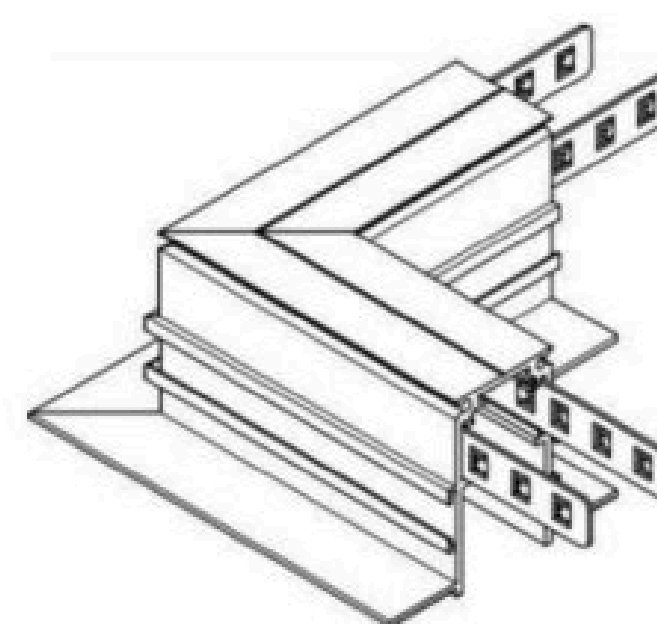
TC 20 L Corners

Thickness	1.8mm
Weight	1.1kg
Standard Length	1000mm
	1500mm
	2000mm
	3000mm

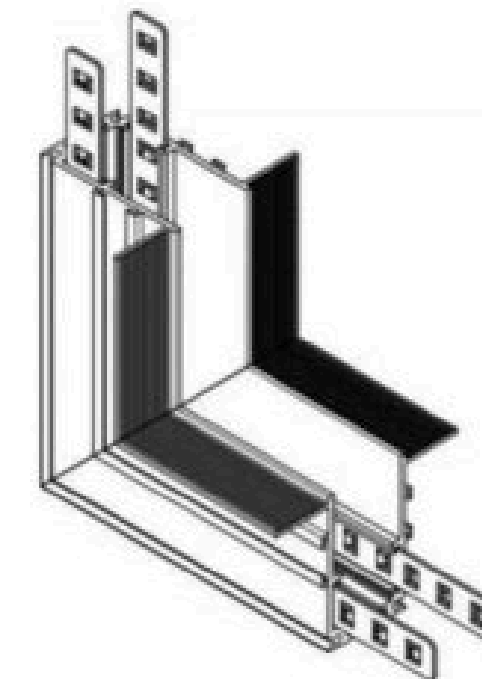
END CAPS



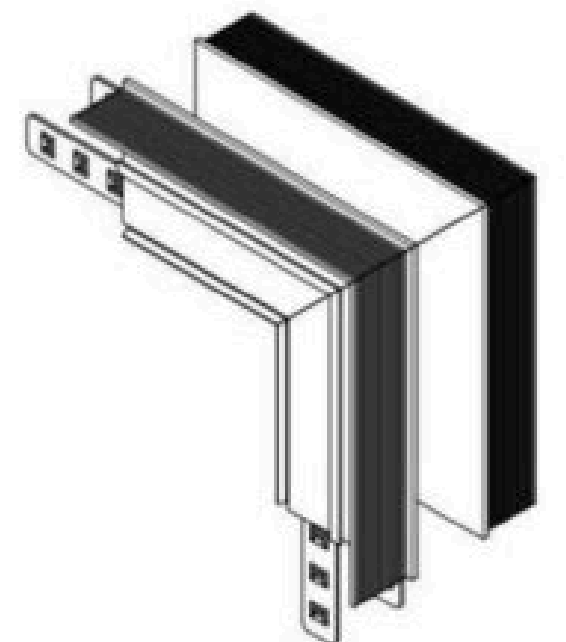
90° corner (C TOC)



90° corner IN (C TOW)



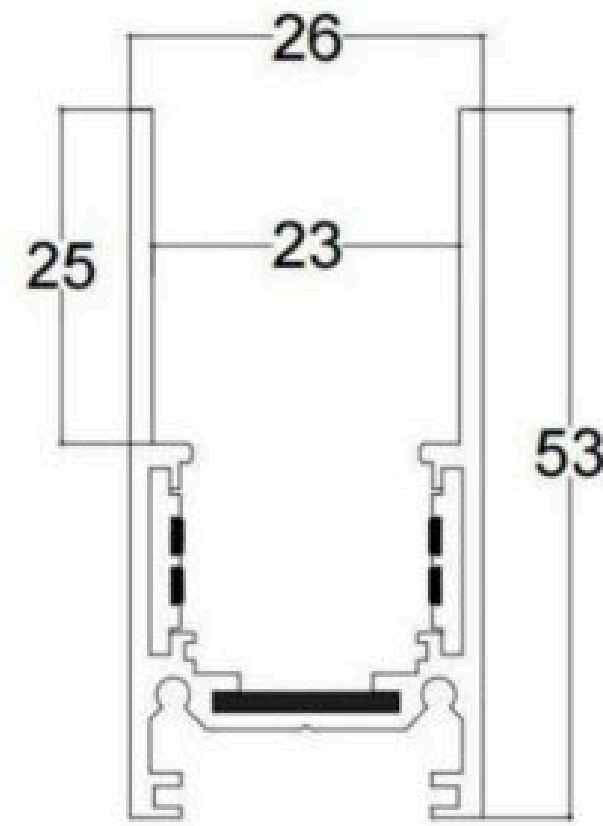
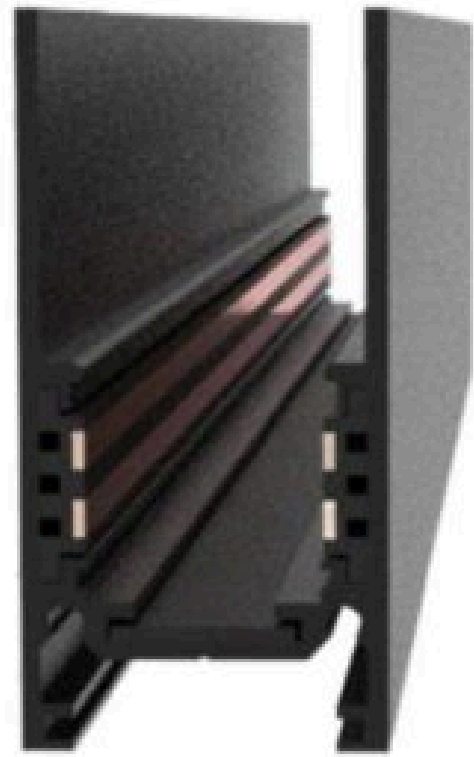
90° corner OUT (W TOW)



farnotte

IL DESIGN ITALIANO
PER L'ILLUMINAZIONE

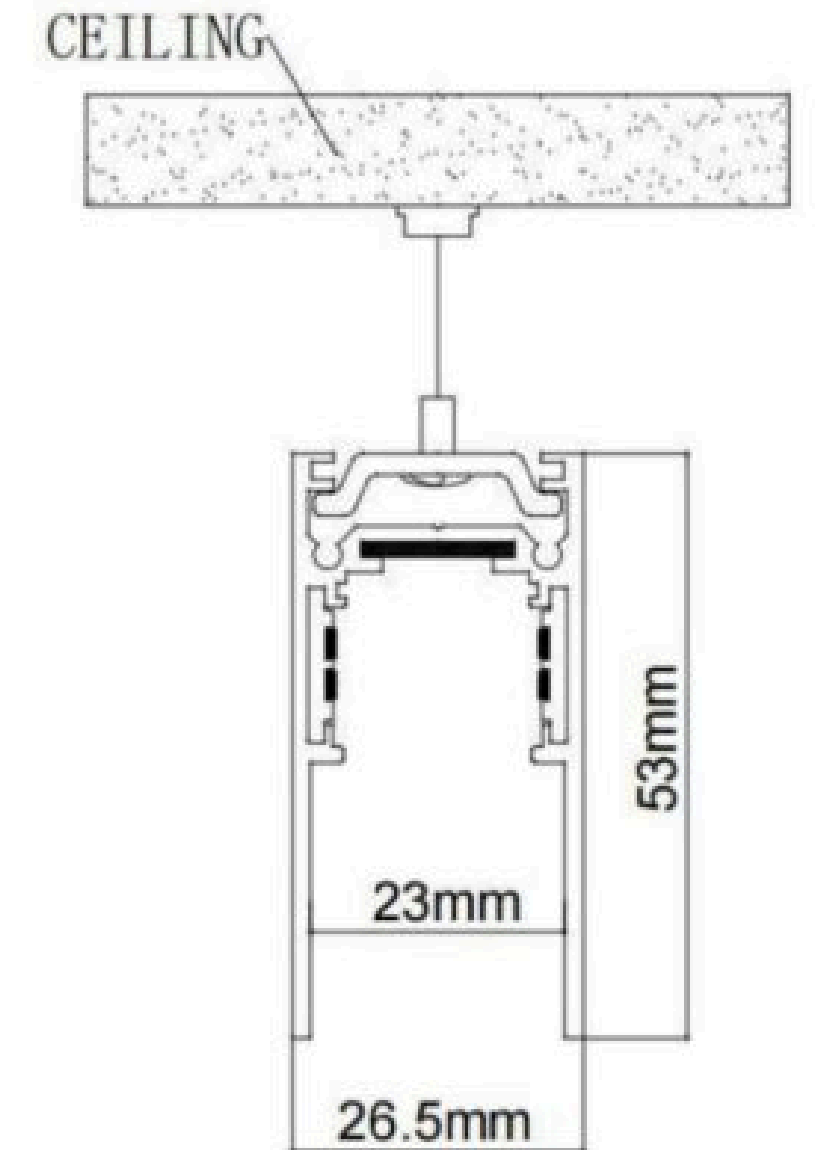
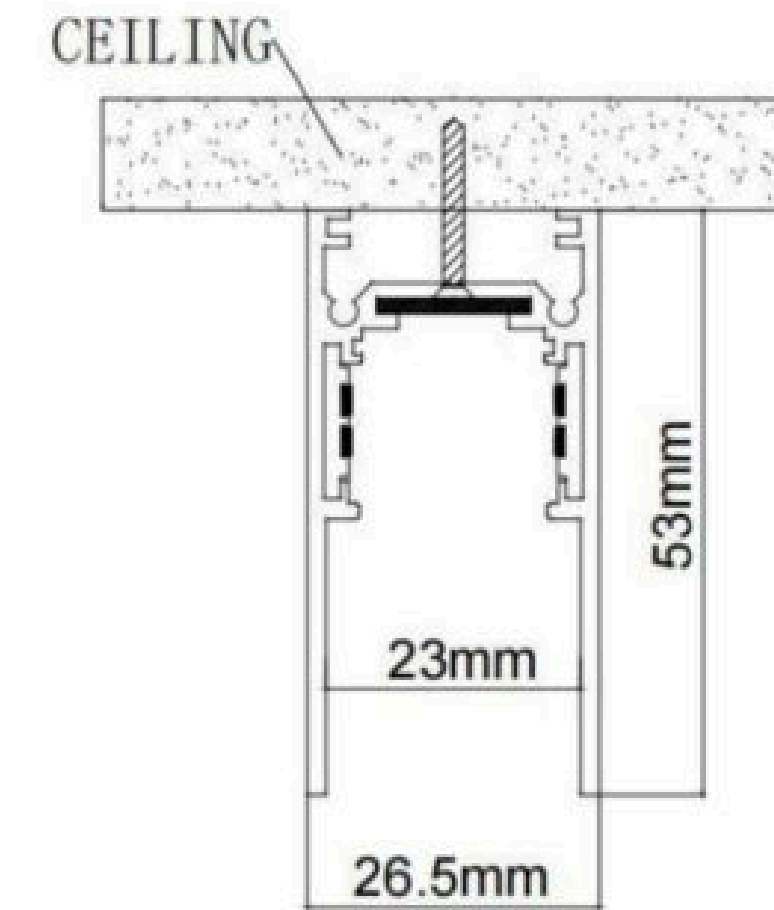
20TRACK SERIE - TH20



Installation:

SURFACE

SUSPENDED



TH 20 Corners

Thickness

1.8mm

Weight

0.9kg

Standard
Length

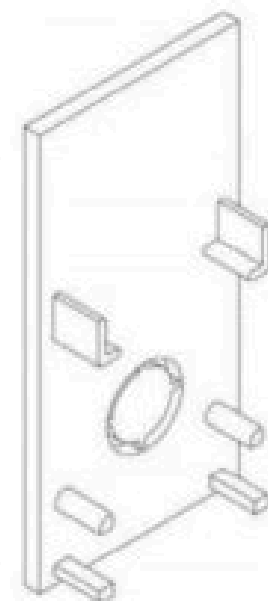
1000mm

1500mm

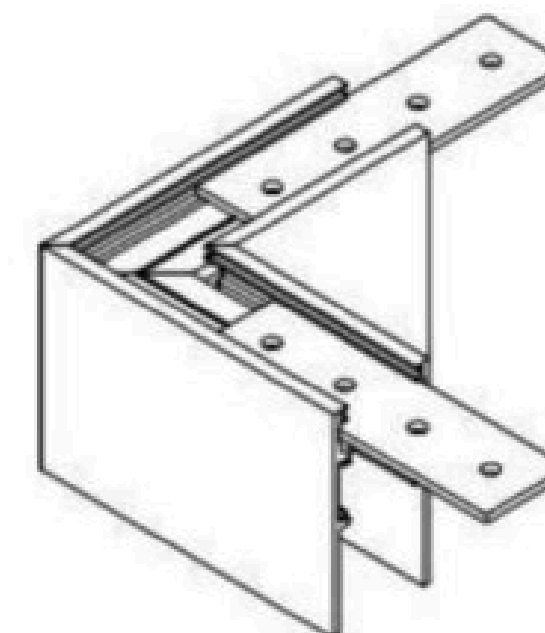
2000mm

3000mm

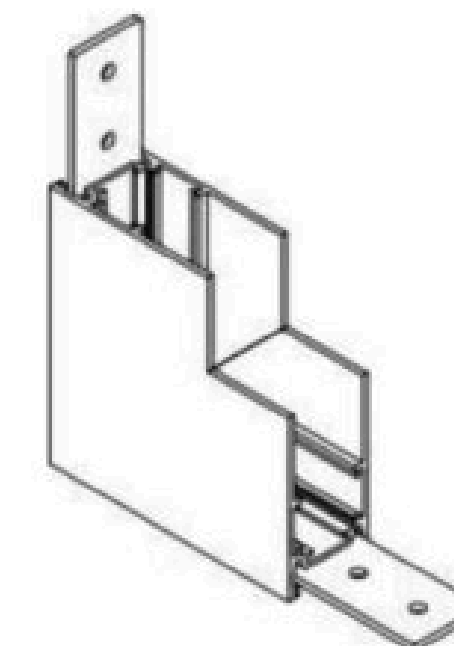
END CAPS



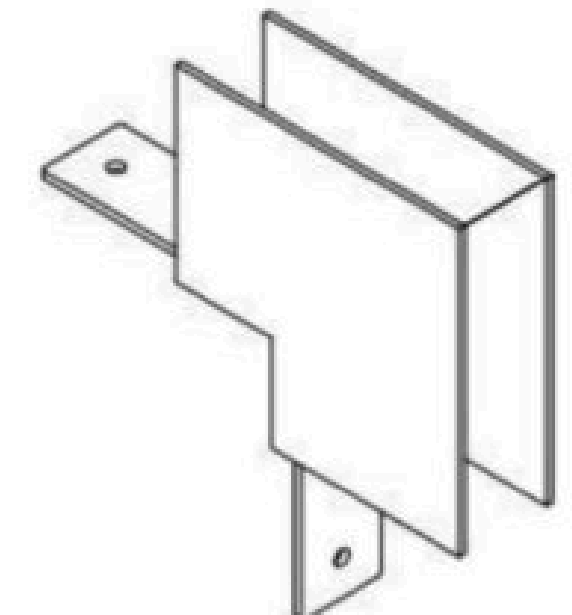
90° corner
(C TOC)



90° corner IN
(C TOW)

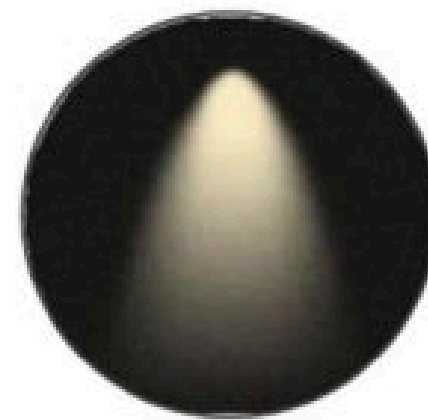


90° corner OUT
(W TOW)

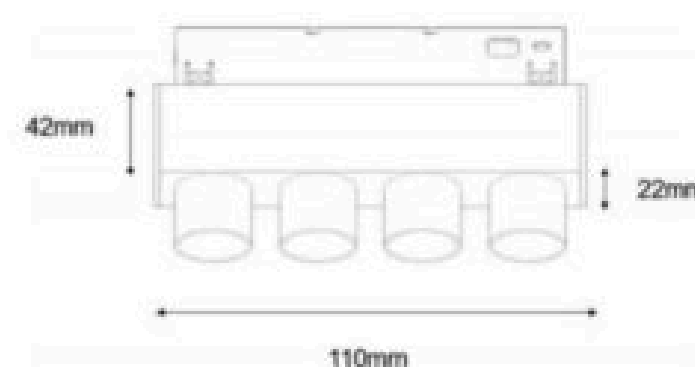
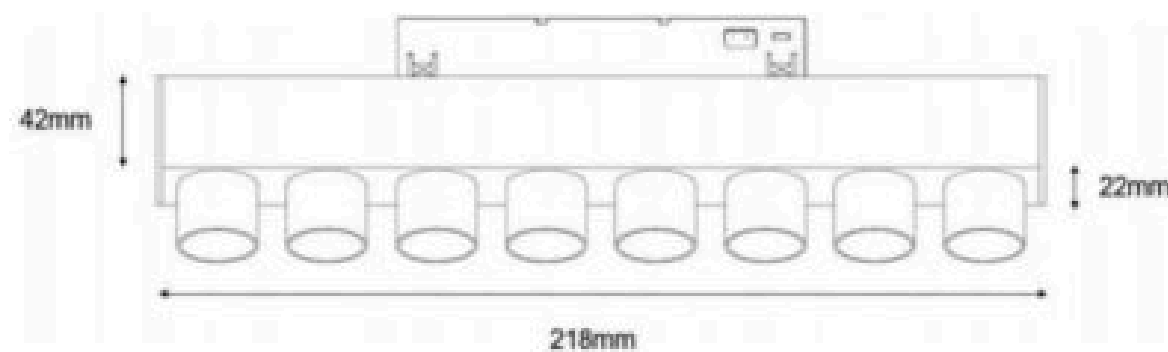


M20

Magnetic LED Spot Linear



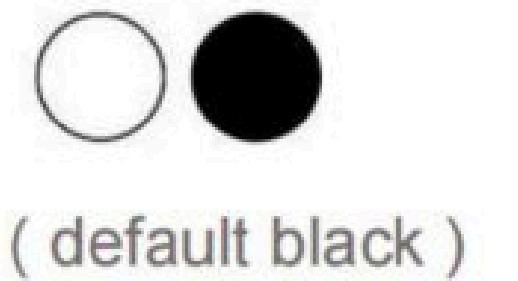
Types



◆ SP4 ◆ SP8

Code	Power	Size (mm)
SP4	8W	110*22*42
SP8	16W	218*22*42

Colours



Beam angle : □ 15° ■ 30° □ 50°

CCT : ● 3000K ● 4000K ● 5000K ● 3000-5000K

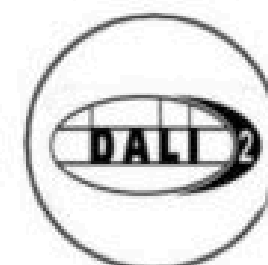
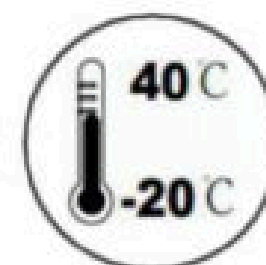
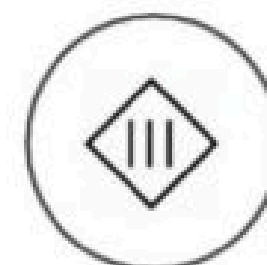
CRI : ≥92°

Input Voltage : 48VDC

Structure : □ Adjustable ■ Fixed

Ambient Temperature : -20°C ~ +40°C

Dimm/Control : □ 0-10V □ Dali □ Bluetooth □ Zigbee

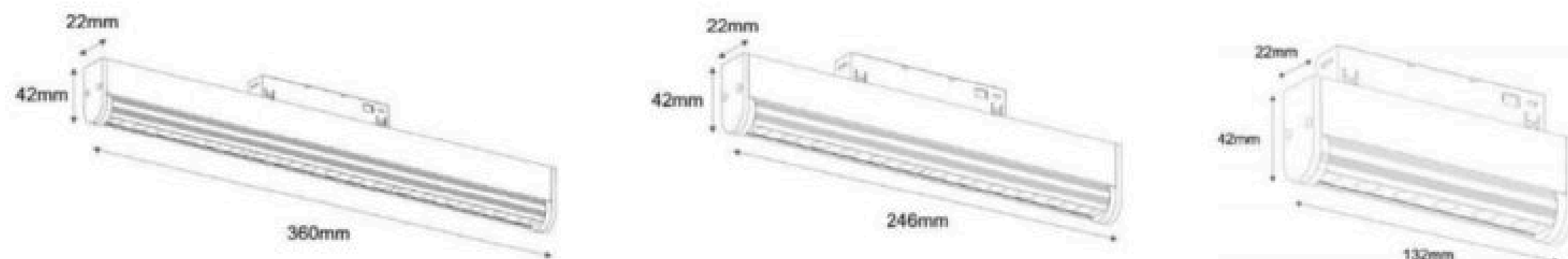


M20

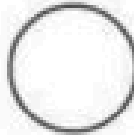
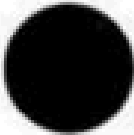
Magnetic LED Spot Linear



Types



◆LBR6 ◆LBR12 ◆LBR18

Code	Power	Size (mm)	Colours
LBR6	6W	132*22*42	  (default black)
LBR12	12W	246*22*42	
LBR18	18W	360*22*42	

Beam angle : 30°

CCT:  3000K  4000K  5000K  3000-5000K

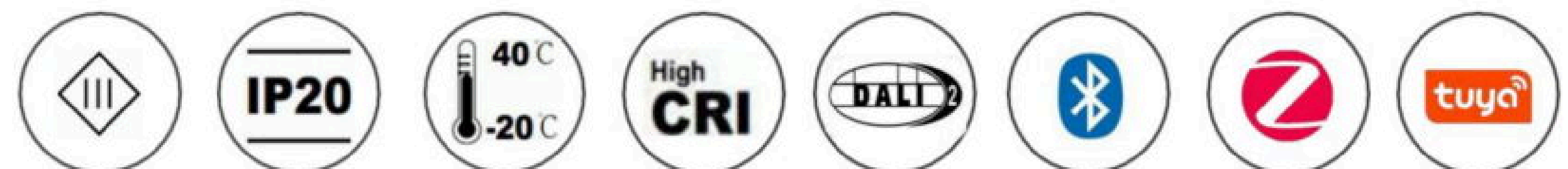
CRI : ≥92

Input Voltage : 48VDC

Structure : Adjustable Fixed

Ambient Temperature : -20°C ~ +40°C

Dimm/Control : 0-10V Dali Bluetooth Zigbee

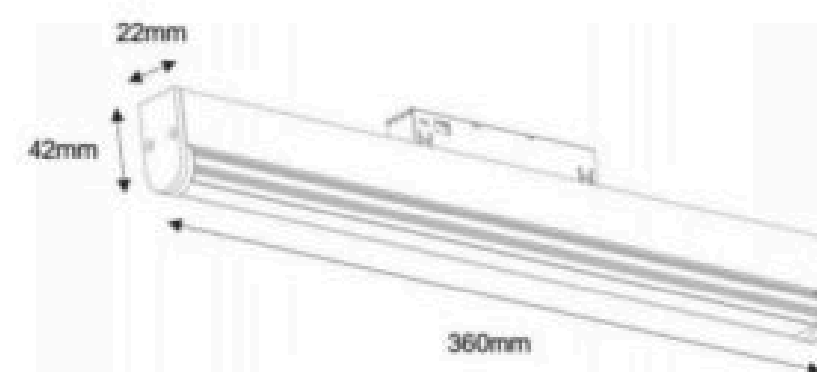
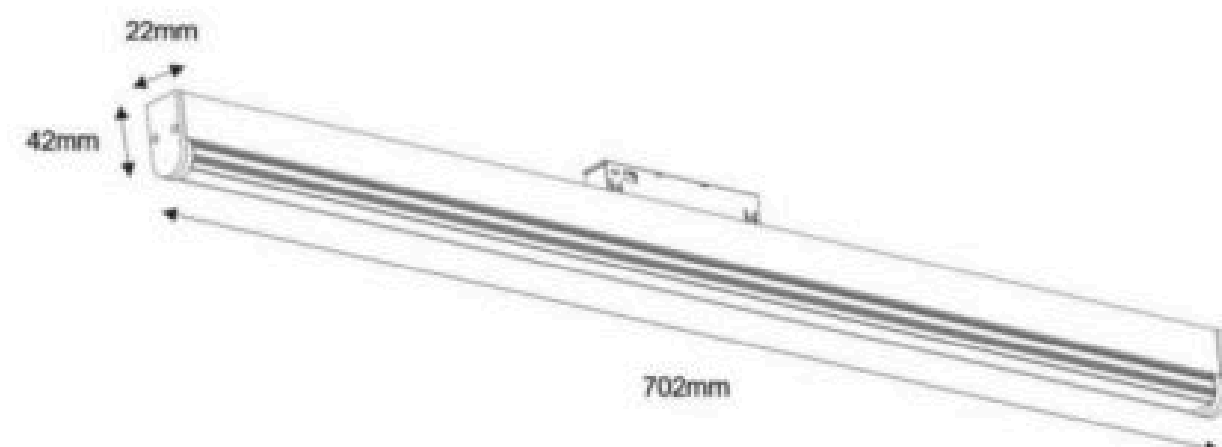


M20

Magnetic LED Diffused Linear







Types



◆ DFR360 ◆ DFR700

Code	Power	Size (mm)	Colours
DFR360	10W	360*22*42	 
DFR700	20W	702*22*42	(default black)

Beam angle : 105°

CCT:  3000K  4000K  5000K  3000-5000K

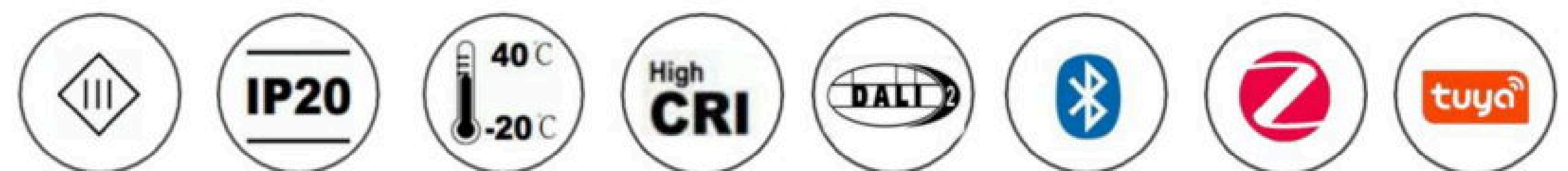
CRI : ≥92

Input Voltage : 48VDC

Structure : Adjustable Fixed

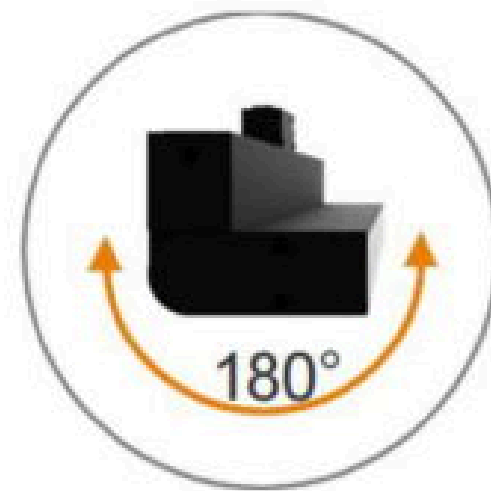
Ambient Temperature : -20°C ~ +40°C

Dimm/Control : 0-10V Dali Bluetooth Zigbee

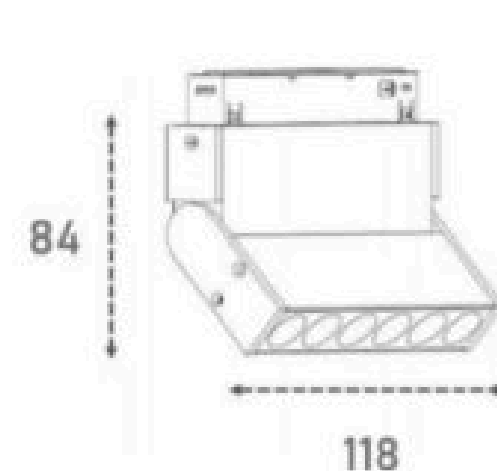
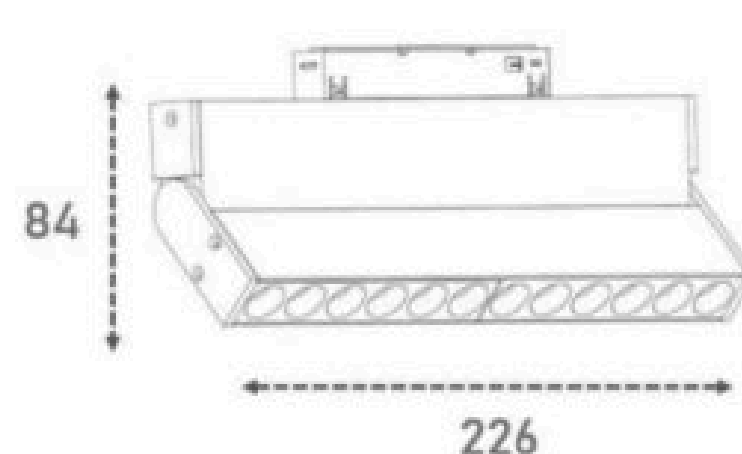
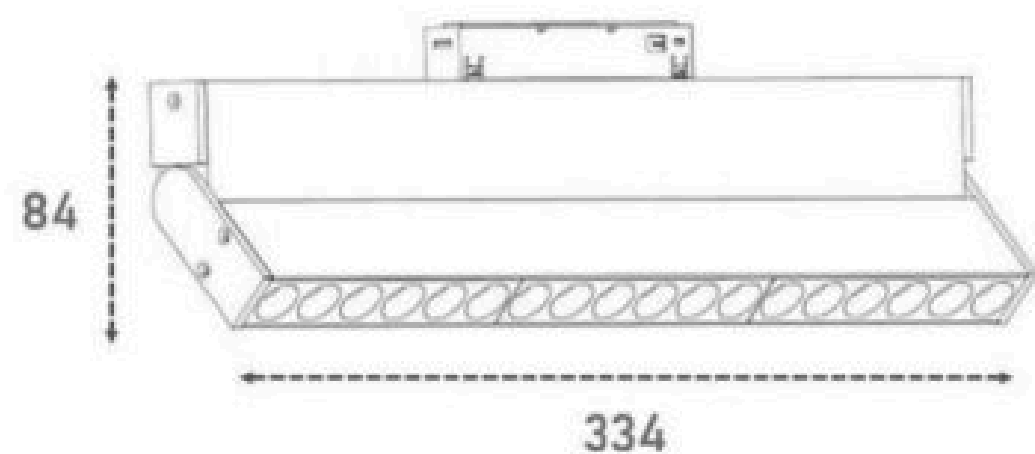


M20

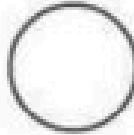
Magnetic LED Spot Linear



Types



◆FD6X ◆FD12X ◆FD18X

Code	Power	Size (mm)	Colours
FD6X	6W	118*22*84	  (default black)
FD12X	12W	226*22*84	
FD18X	18W	334*22*84	

Beam angle : ■ 24° □ 36°

CCT :  3000K  4000K  5000K  3000-5000K

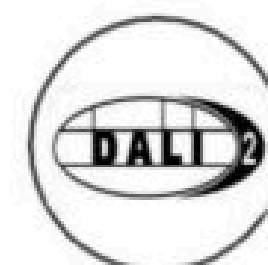
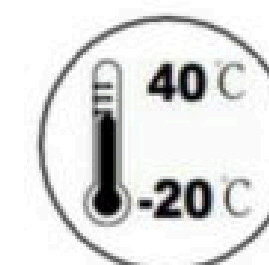
CRI : ≥92

Input Voltage : 48VDC

Structure : ■ Adjustable □ Fixed

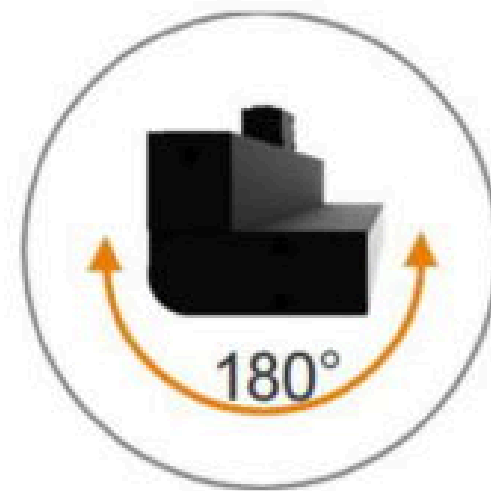
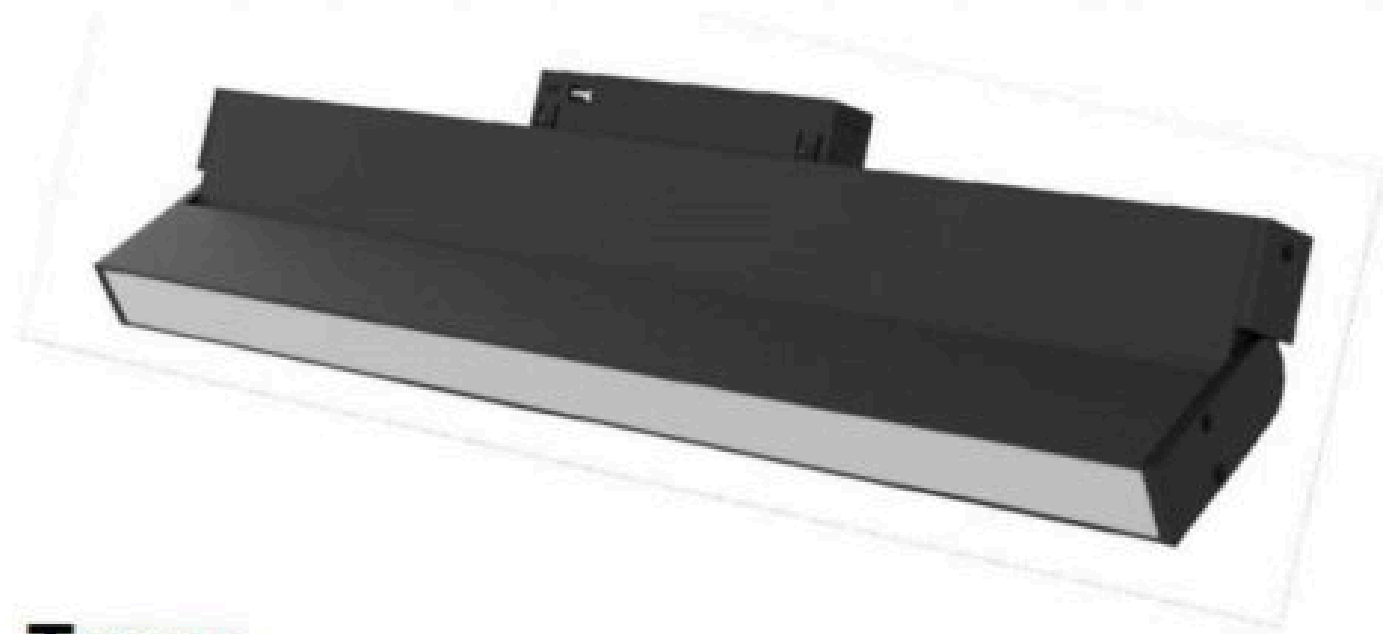
Ambient Temperature : -20°C ~ +40°C

Dimm/Control : □ 0-10V □ Dali □ Bluetooth □ Zigbee

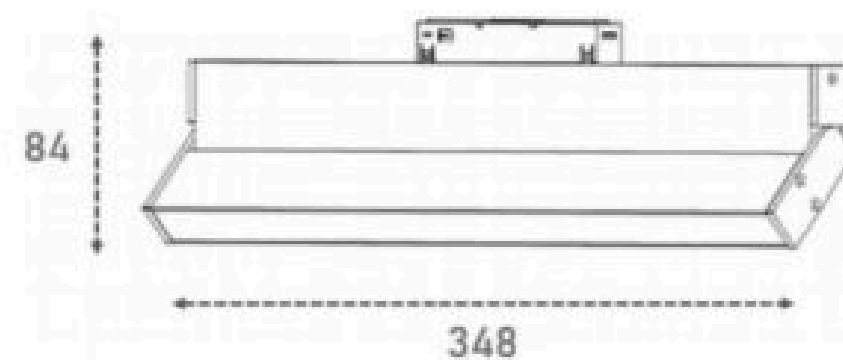
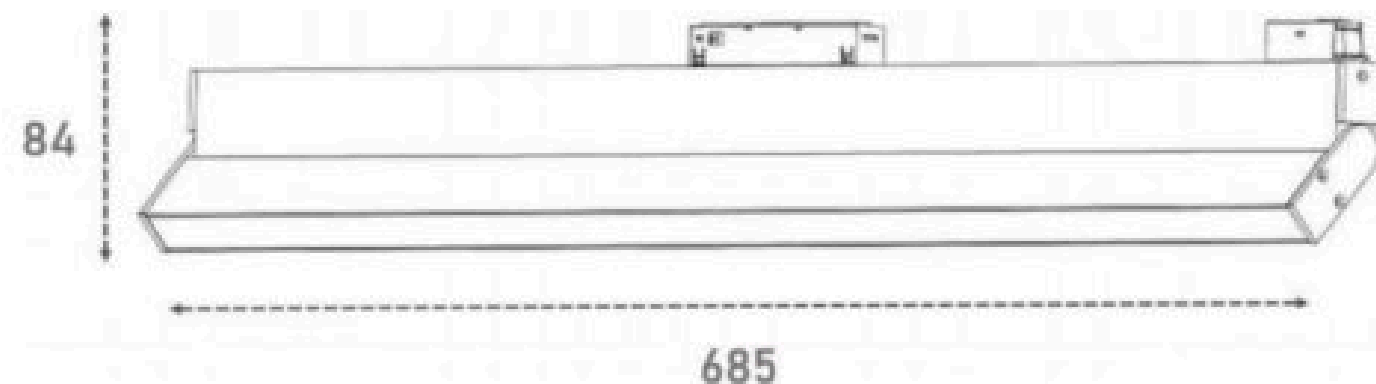


M20

Magnetic LED Diffused Linear




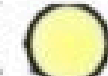


Types



◆ FD340X ◆ FD680X

Code	Power	Size (mm)	Colours
FD340X	12W	334*22*84	 
FD680X	24W	685*22*84	(default black)

Beam angle : 105°

CCT:  3000K  4000K  5000K  3000-5000K

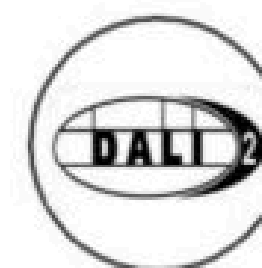
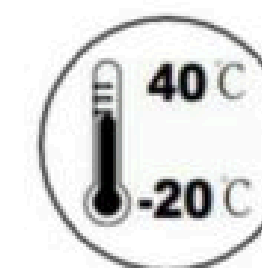
CRI : ≥92

Input Voltage : 48VDC

Structure : Adjustable Fixed

Ambient Temperature : -20°C ~ +40°C

Dimm/Control : 0-10V Dali Bluetooth Zigbee

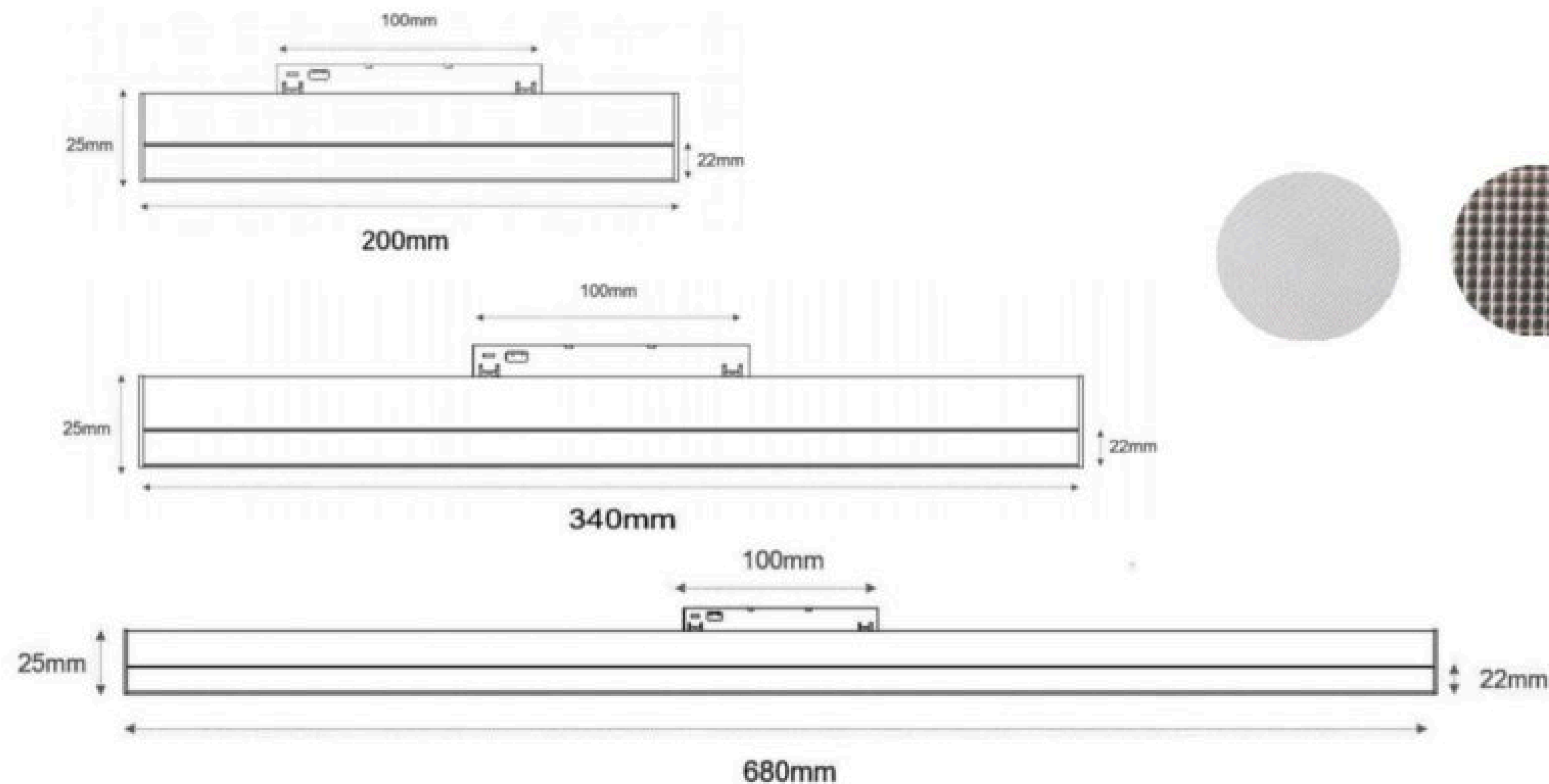


M20

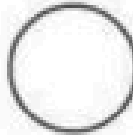
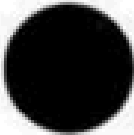
Magnetic LED Diffused Linear



Types



◆ DF200 ◆ DF340 ◆ DF680

Code	Power	Size (mm)	Colours
DF200	6W	200*22*25	 
DF340	12W	340*22*25	(default black)
DF680	24W	680*22*25	

Beam angle : 105°

CCT:  3000K  4000K  5000K  3000-5000K

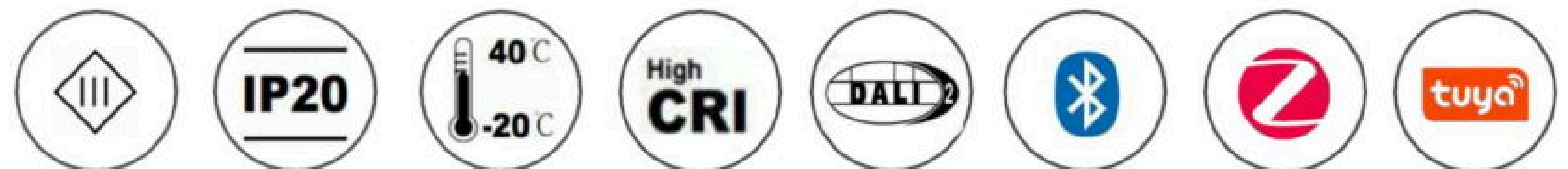
CRI : ≥92

Input Voltage : 48VDC

Structure : Adjustable Fixed

Ambient Temperature : -20°C ~ +40°C

Dimm/Control : 0-10V Dali Bluetooth Zigbee

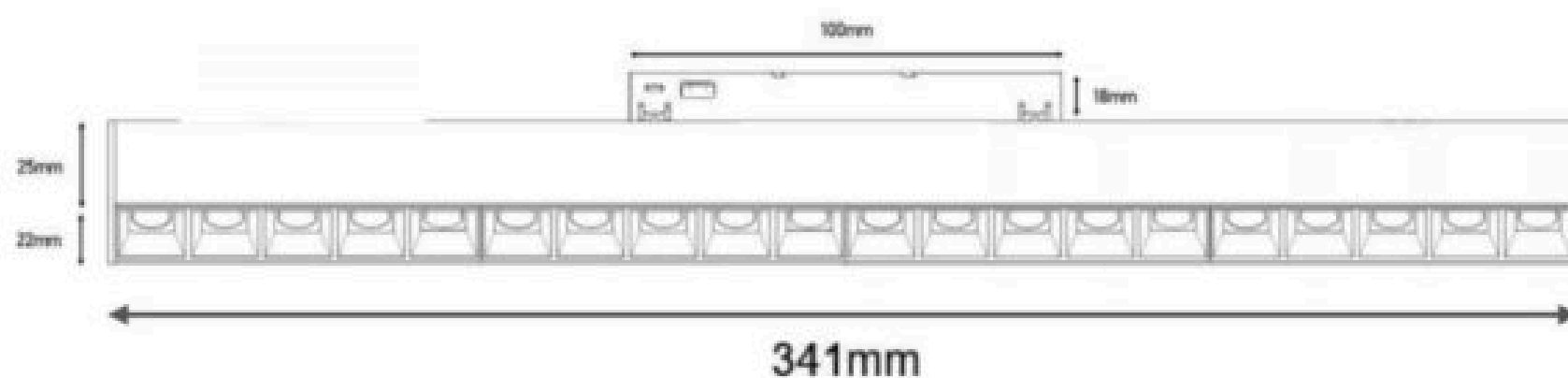
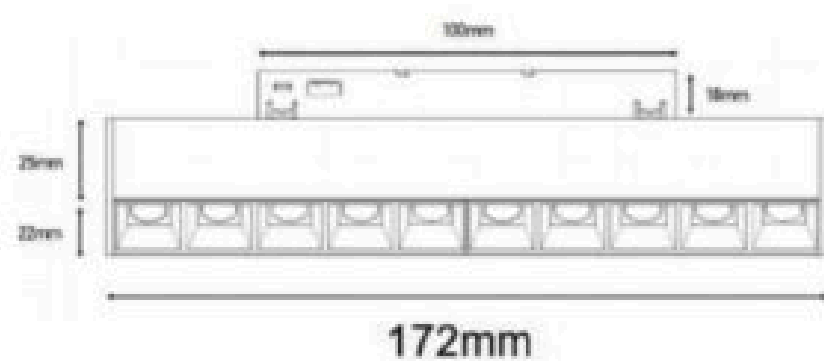


M20

Magnetic LED Spot Linear



Types



◆ LB10 ◆ LB20

Code	Power	Size (mm)	Colours
LB10	10W	172*22*25	 
LB20	20W	341*22*25	(default black)

Beam angle : 30°

CCT:  3000K  4000K  5000K  3000-5000K

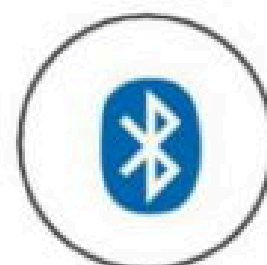
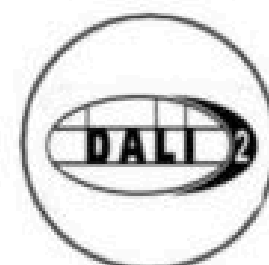
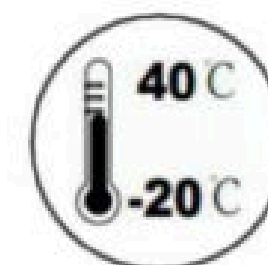
CRI : ≥92

Input Voltage : 48VDC

Structure : Adjustable Fixed

Ambient Temperature : -20°C ~ +40°C

Dimm/Control : 0-10V Dali Bluetooth Zigbee

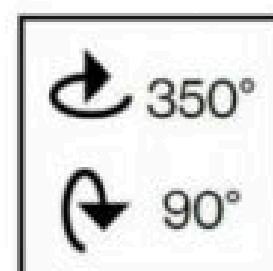


farnotte

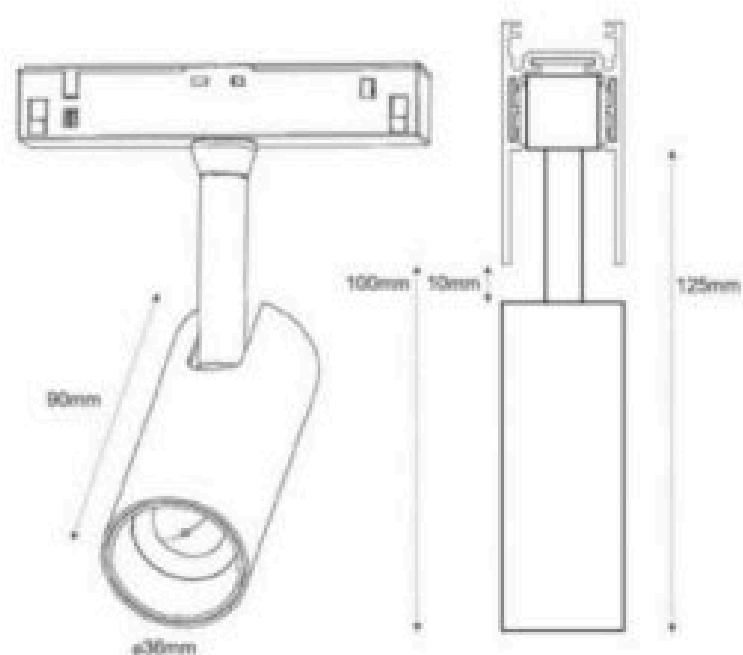
IL DESIGN ITALIANO
PER L'ILLUMINAZIONE

M20

Magnetic LED Spot Linear



Types



◆ TL5 ◆ TL7

Code	Power	Size (mm)	Colours
TL5	5W	ø36*90*125	  
TL7	7W	ø36*90*125	(default black)

Beam angle : 24°

CCT:  3000K  4000K  5000K  3000-5000K

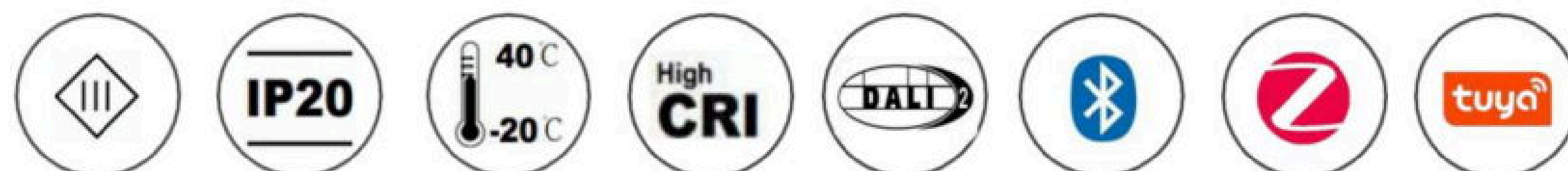
CRI : ≥92

Input Voltage : 48VDC

Structure : Adjustable Fixed

Ambient Temperature : -20°C ~ +40°C

Dimm/Control : 0-10V Dali Bluetooth Zigbee

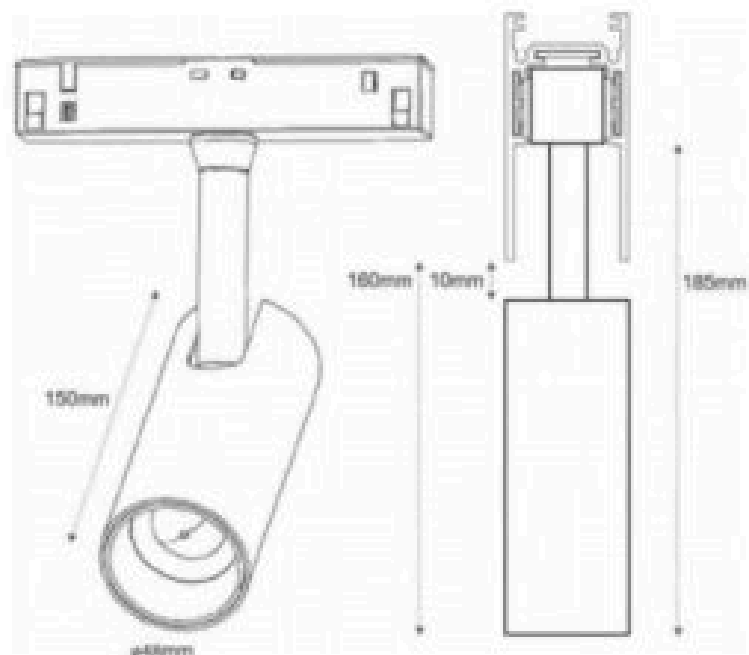


M20

Magnetic LED Spot Linear



Types



◆ TL9 ◆ TL12

Code	Power	Size (mm)	Colours
TL9	9W	ø48*150*185	  
TL12	12W	ø48*150*185	(default black)

Beam angle : 24°

CCT:  3000K  4000K  5000K  3000-5000K

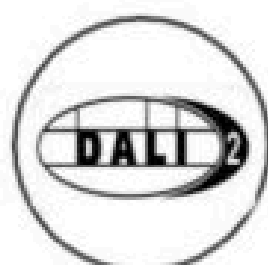
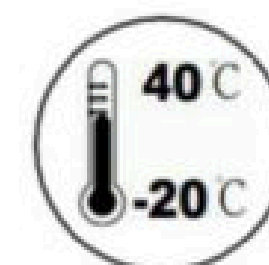
CRI: ≥92

Input Voltage : 48VDC

Structure : Adjustable Fixed

Ambient Temperature : -20°C ~ +40°C

Dimm/Control : 0-10V Dali Bluetooth Zigbee

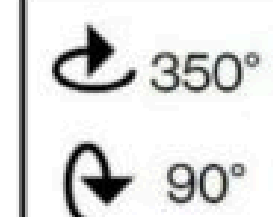


farnotte

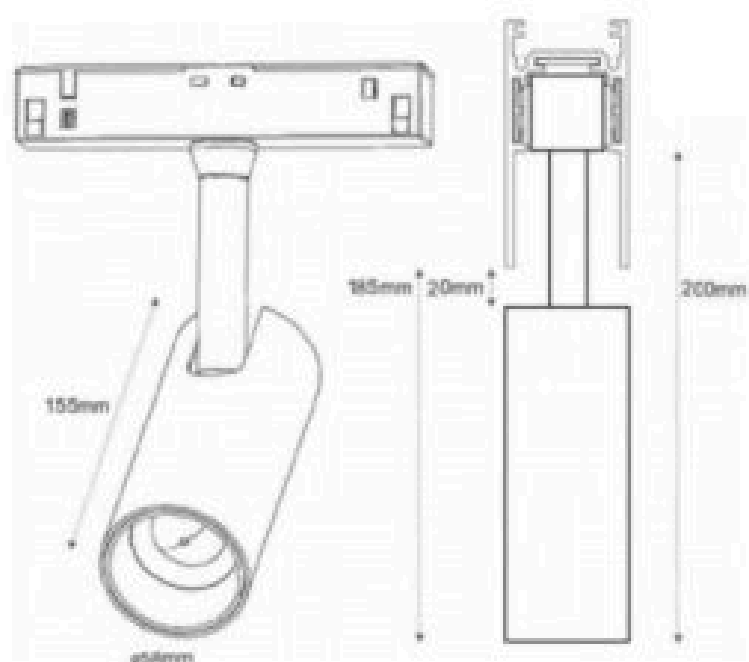
IL DESIGN ITALIANO
PER L'ILLUMINAZIONE

M20

Magnetic LED Spot Linear



Types



◆ TL18 ◆ TL24

Code	Power	Size (mm)	Colours
TL18	18W	∅58*155*200	  
TL24	24W	∅58*155*200	(default black)

Beam angle : 24°

CCT:  3000K  4000K  5000K  3000-5000K

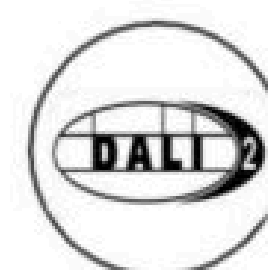
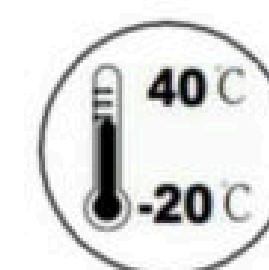
CRI: ≥92

Input Voltage : 48VDC

Structure : Adjustable Fixed

Ambient Temperature : -20°C ~ +40°C

Dimm/Control : 0-10V Dali Bluetooth Zigbee

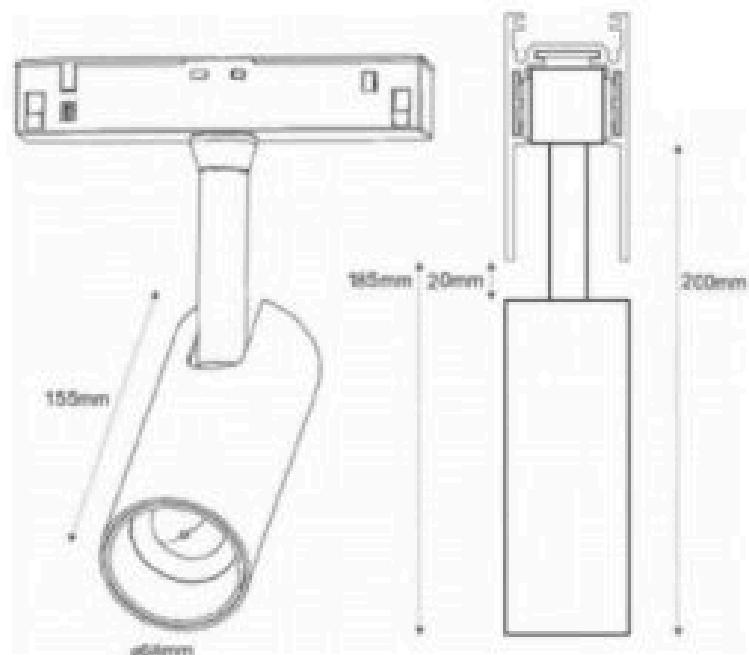


M20


Magnetic LED Spot Linear



Types



◆ TL30

Code	Power	Size (mm)	Colours
TL30	30W	ø68*155*200	   (default black)

Beam angle : 24°

CCT:  3000K  4000K  5000K  3000-5000K

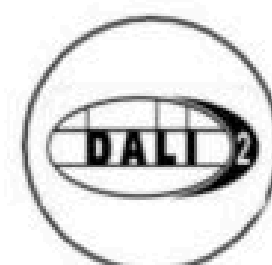
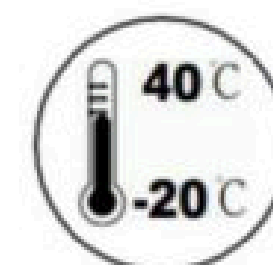
CRI: ≥92

Input Voltage : 48VDC

Structure : Adjustable Fixed

Ambient Temperature : -20°C ~ +40°C

Dimm/Control : 0-10V Dali Bluetooth Zigbee

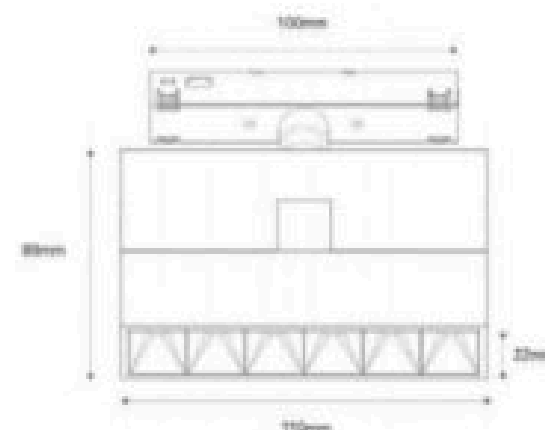
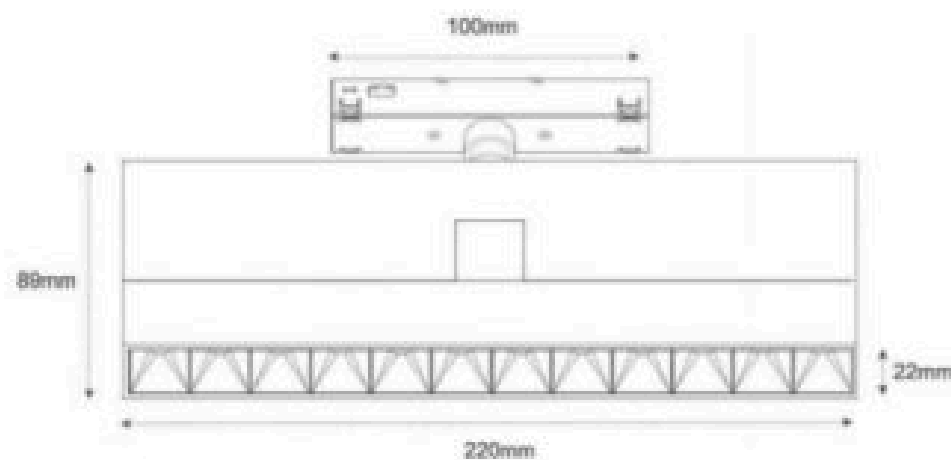


M20

Magnetic LED Spot Linear



Types



◆ FD6 ◆ FD12

Code	Power	Size (mm)	Colours
FD6	6W	110*22*89	  (default black)
FD12	12W	220*22*89	

Beam angle : 30°

CCT:  3000K  4000K  5000K  3000-5000K

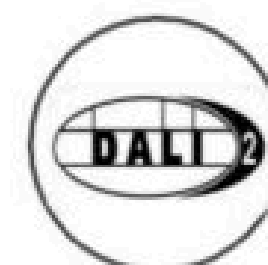
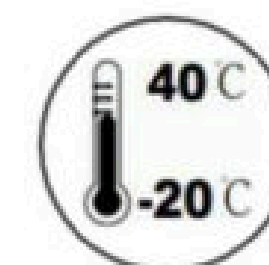
CRI : ≥92

Input Voltage : 48VDC

Structure : Adjustable Fixed

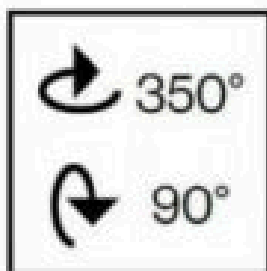
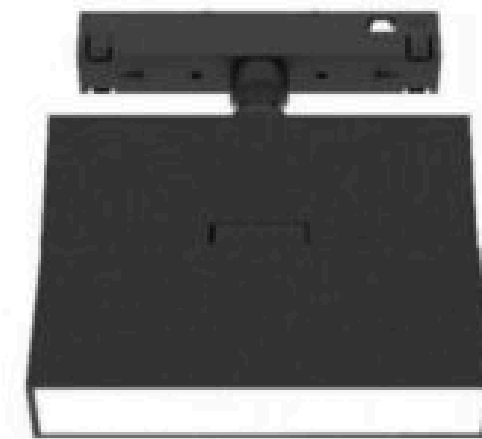
Ambient Temperature : -20°C ~ +40°C

Dimm/Control : 0-10V Dali Bluetooth Zigbee

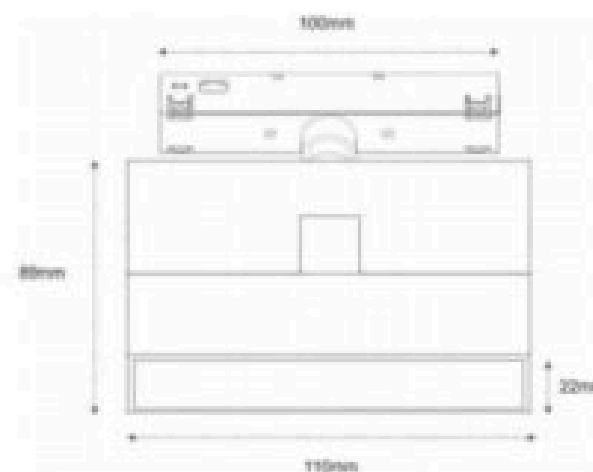
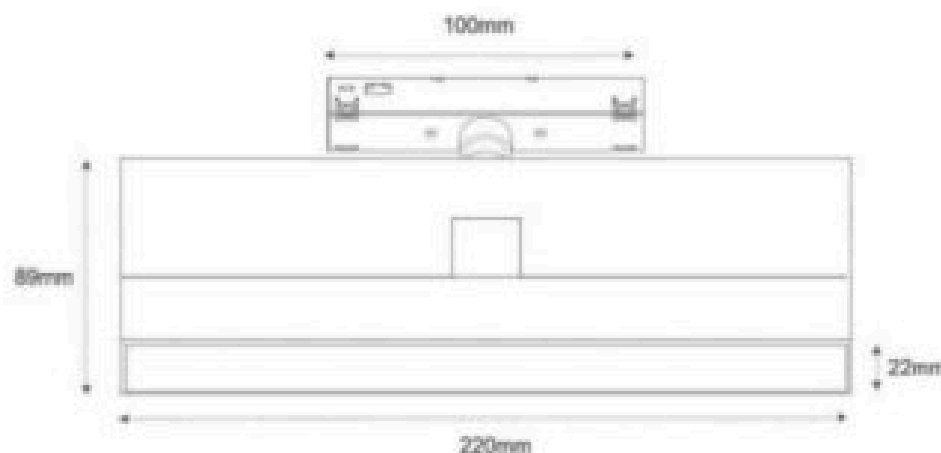


M20

Magnetic LED Diffused Linear



Types



◆ FD6D ◆ FD12D

Code	Power	Size (mm)	Colours
FD6D	6W	110*22*89	  (default black)
FD12D	12W	220*22*89	

Beam angle : 105°

CCT:  3000K  4000K  5000K  3000-5000K

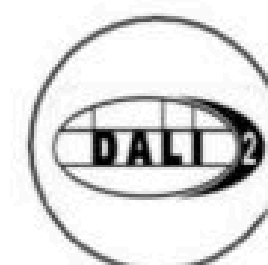
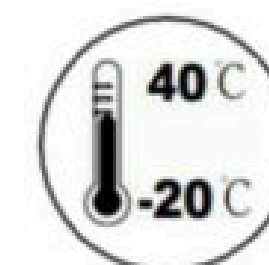
CRI : ≥92

Input Voltage : 48VDC

Structure : Adjustable Fixed

Ambient Temperature : -20°C ~ +40°C

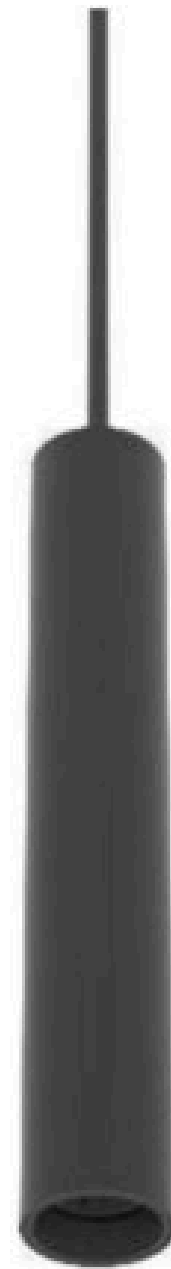
Dimm/Control : 0-10V Dali Bluetooth Zigbee



M20

M35

Magnetic LED Spot Linear



Types



◆ TB9W

Code	Power	Size (mm)	Colours
TB9W	9W	∅39*290	  (default black)

Beam angle : 24°

CCT:  3000K  4000K  5000K  3000-5000K

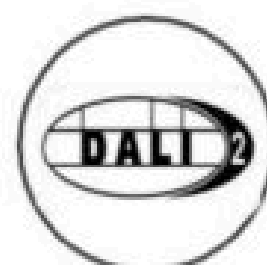
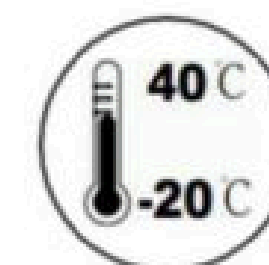
CRI : ≥92

Input Voltage : 48VDC

Structure : Adjustable Fixed

Ambient Temperature : -20°C ~ +40°C

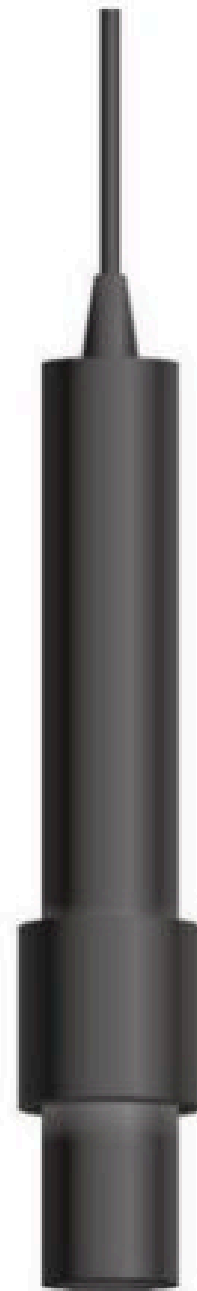
Dimm/Control : 0-10V Dali Bluetooth Zigbee



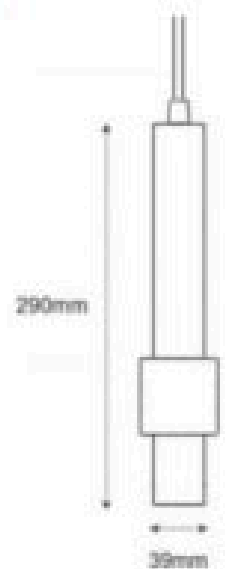
M20

M35

Magnetic LED Spot Linear



Types



◆ HG9W

Code

HG9W

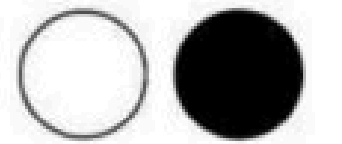
Power

9W

Size (mm)

ø54*290

Colours



(default black)

Beam angle : 24°

CCT: ● 3000K ● 4000K ● 5000K ● 3000-5000K

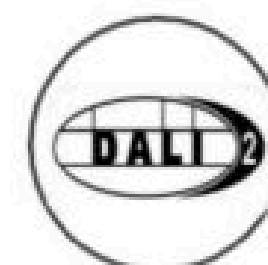
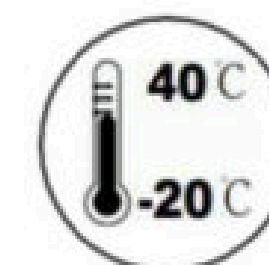
CRI : ≥92

Input Voltage : 48VDC

Structure : □ Adjustable ■ Fixed

Ambient Temperature : -20°C ~ +40°C

Dimm/Control : □ 0-10V □ Dali □ Bluetooth □ Zigbee



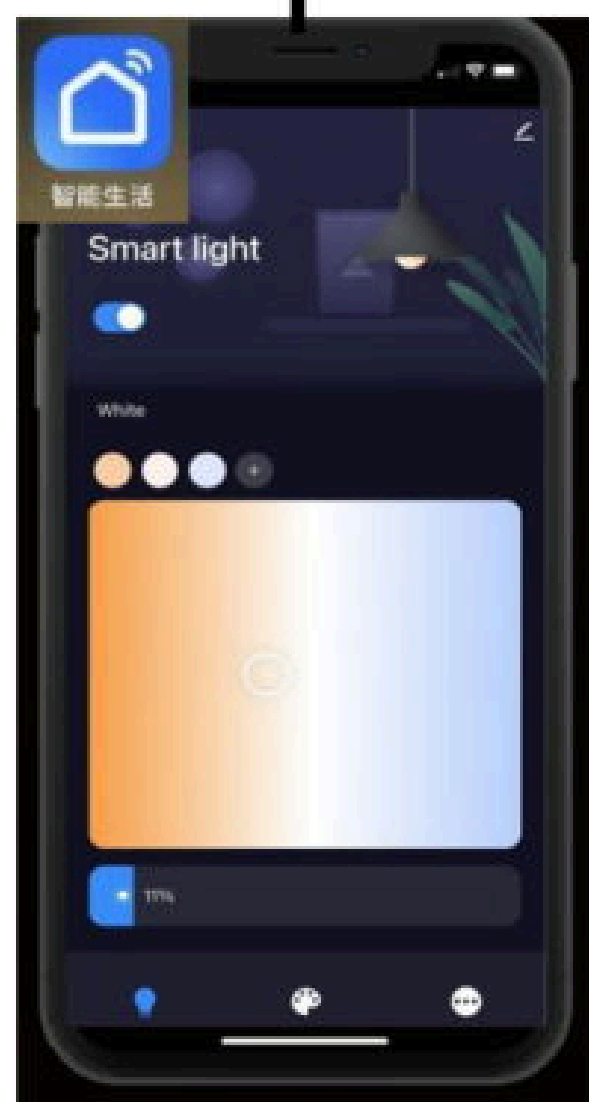
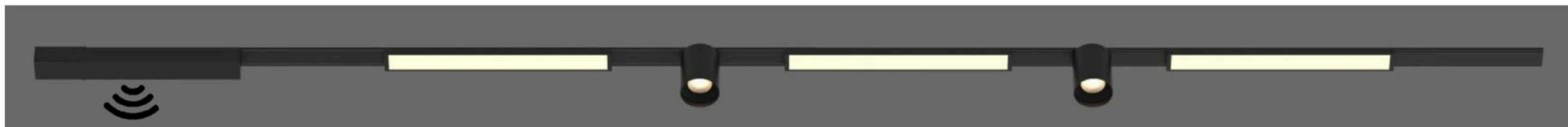
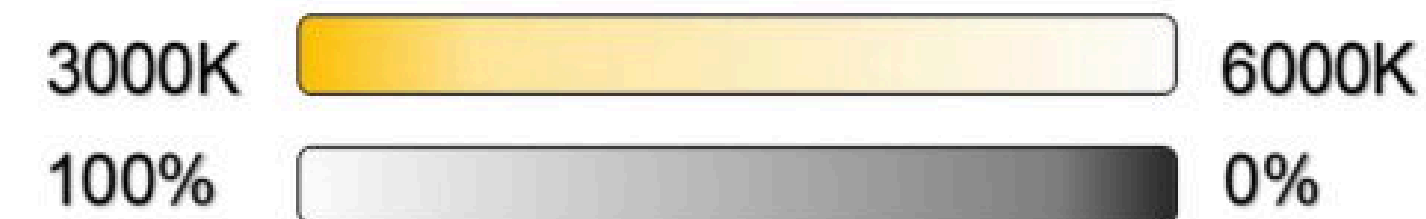


farnotte

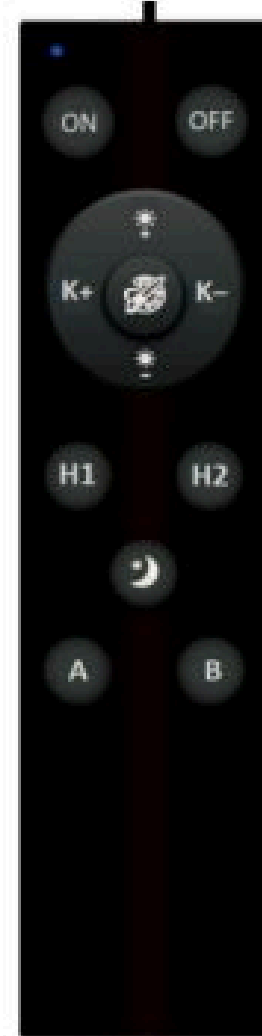
IL DESIGN ITALIANO
PER L'ILLUMINAZIONE

SMART LIGHT SYSTEM

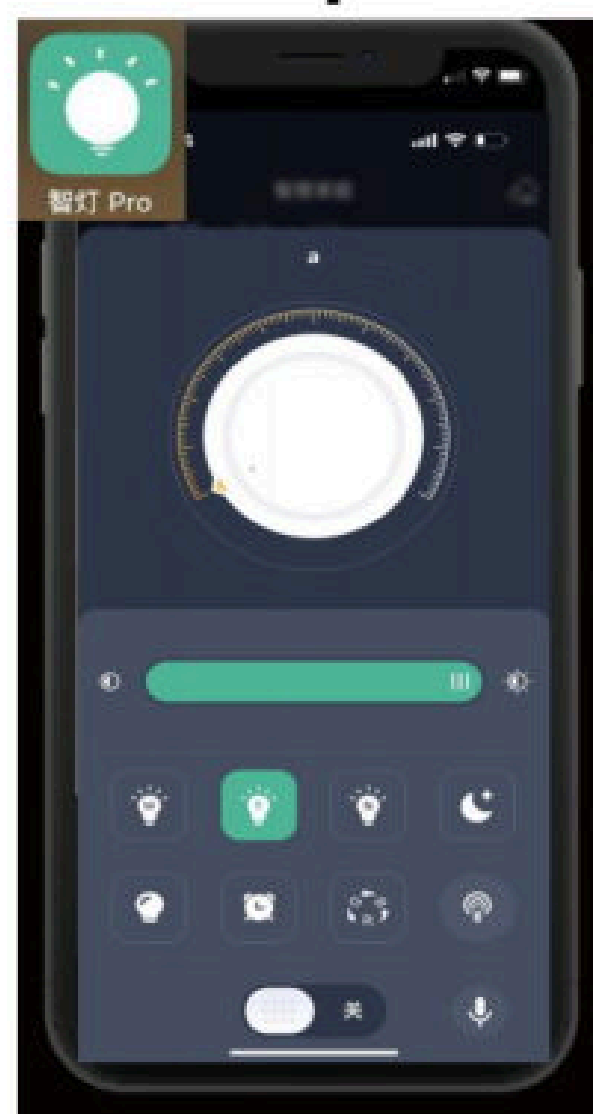
CENTRALIZED CONTROL



APP Control



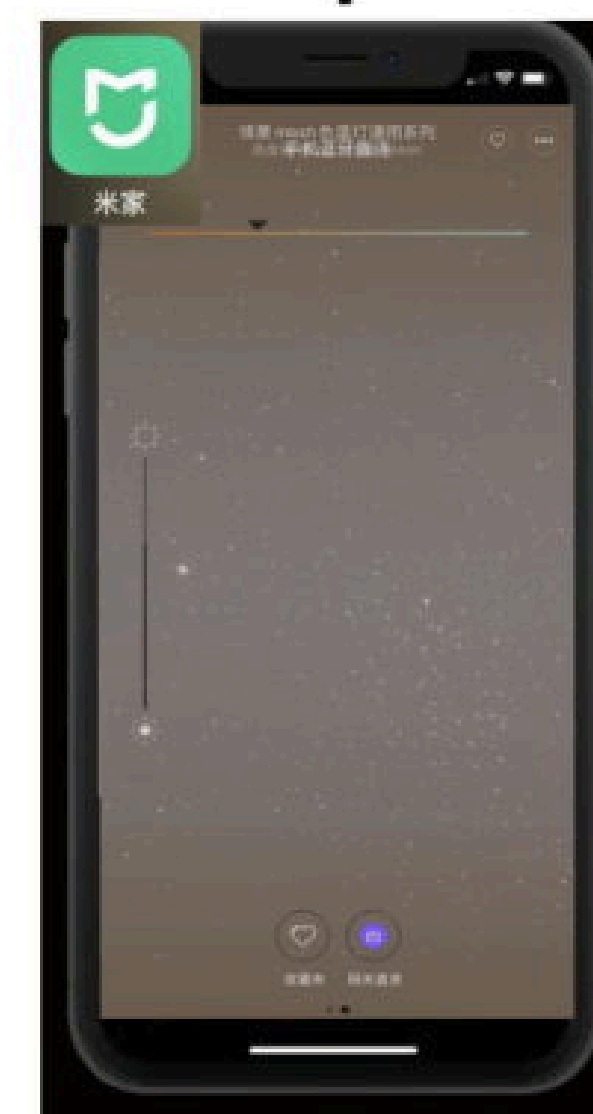
Remote Control



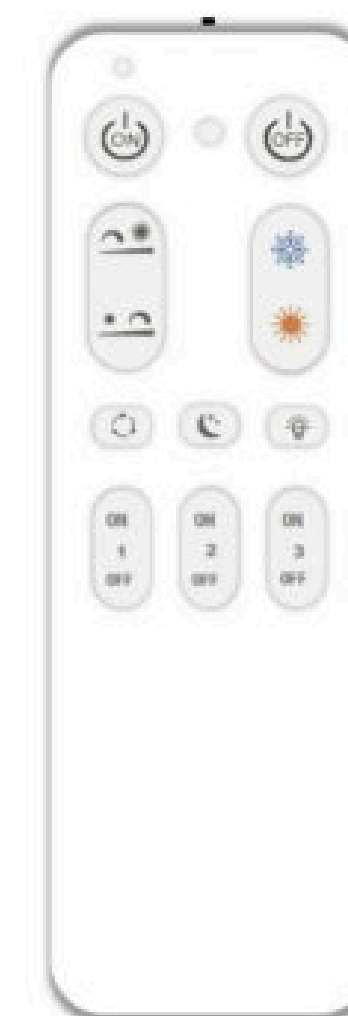
APP Control



Remote Control



APP Control



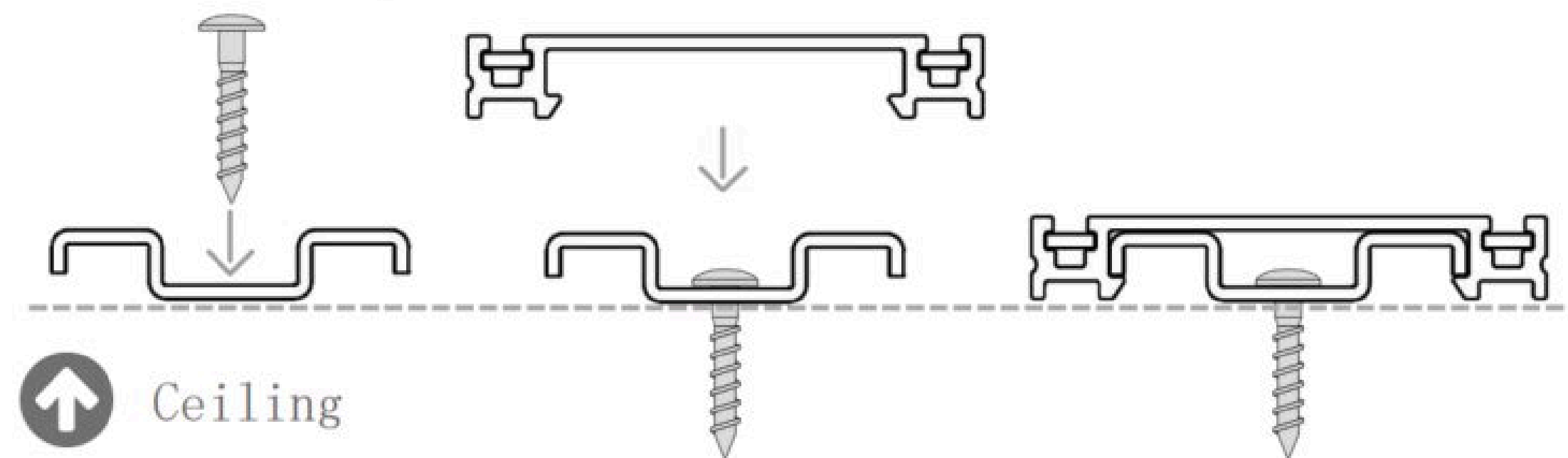
Remote Control

Brief Introduction

- Thickness: 5mm, apply a magnet system without suspended ceiling;
- Can be cut at any length, satisfy various design;
- Easy installation, bracket and body lock model;
- PC body with smoothly move, good insulation;



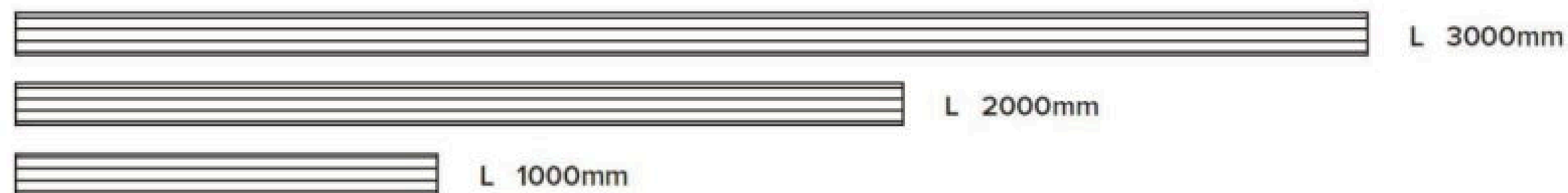
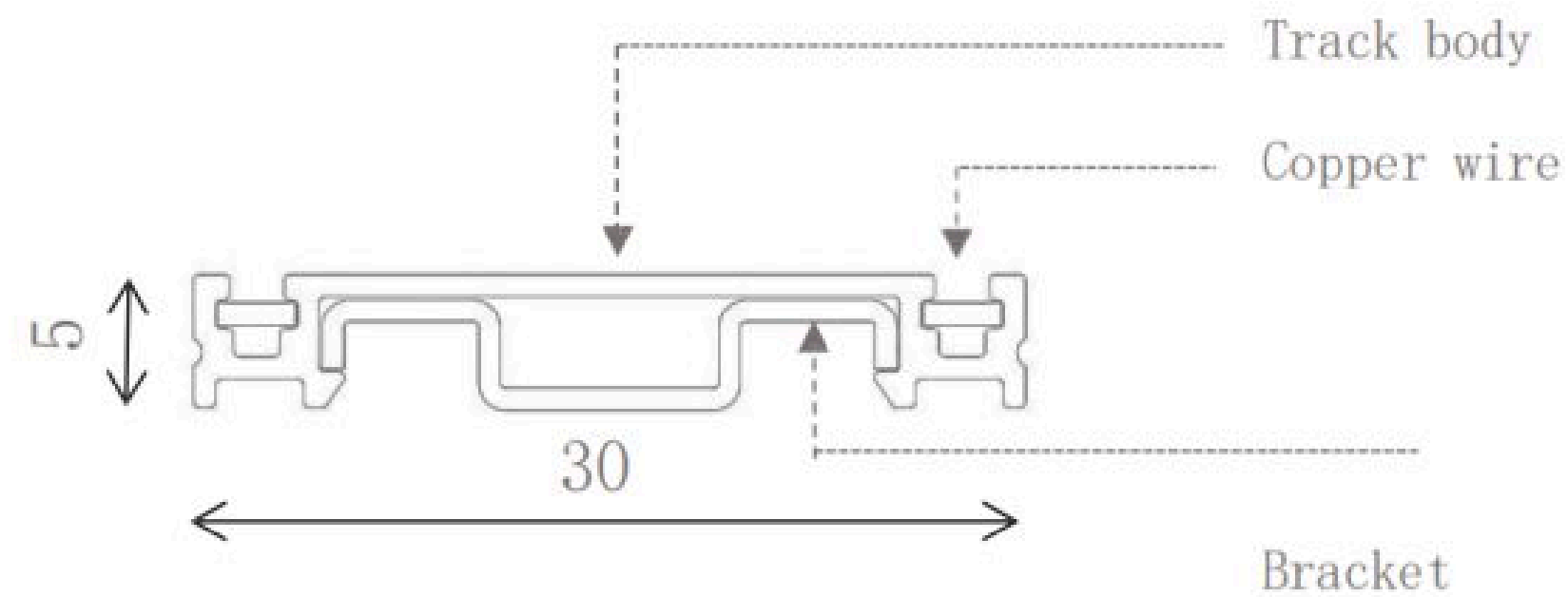
- 1 fix the bracket with screws on ceiling
- 2 Push and fix the body on the bracket
- 2 Insure the body is fixed properly



ULTRATHIN MAGNETIC TRACK

- Item No.: MS30
- Color: White Black
- Input Voltage: DC48V
- Material: PC &Iron &Copper
- Dimension: 30*5mm

- Length:
 - ① 1000mm
 - ② 2000mm
 - ③ 3000mm



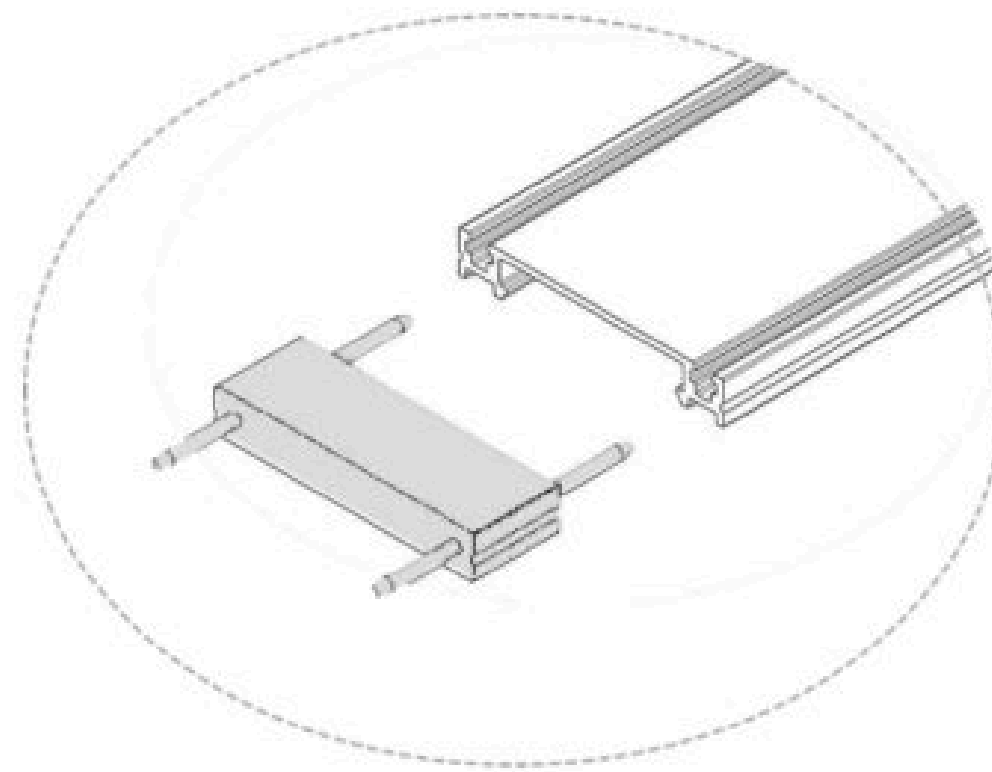
○ White



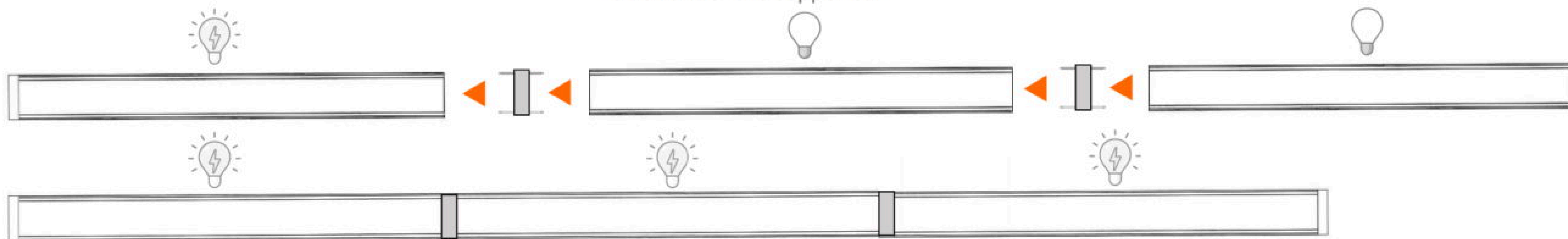
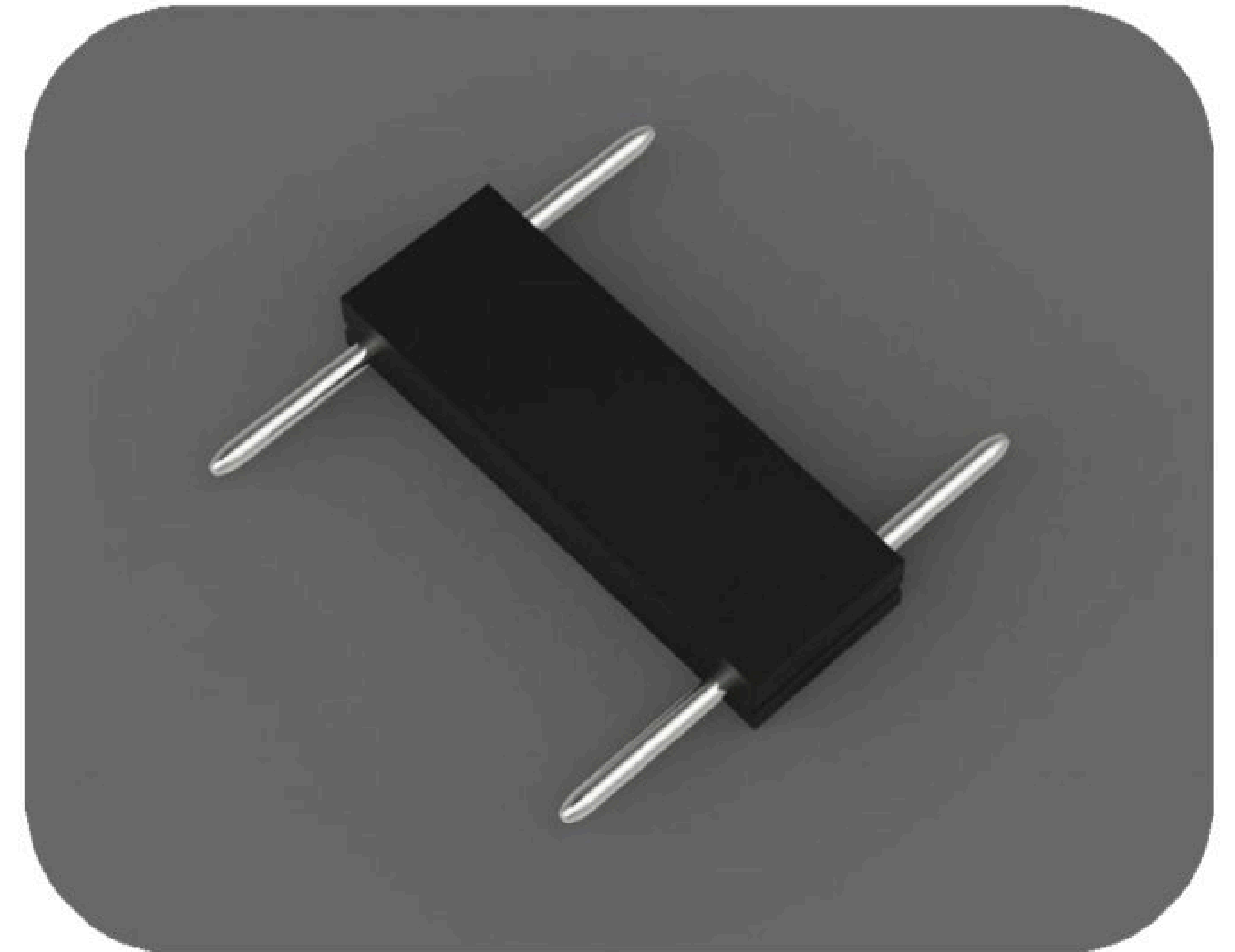
● Black

Straight Connect Module

- Model No.: MS Straight Connect Module
- Color: White Black
- Material: PVC&COPPER
- Dimension: 30*30*5mm

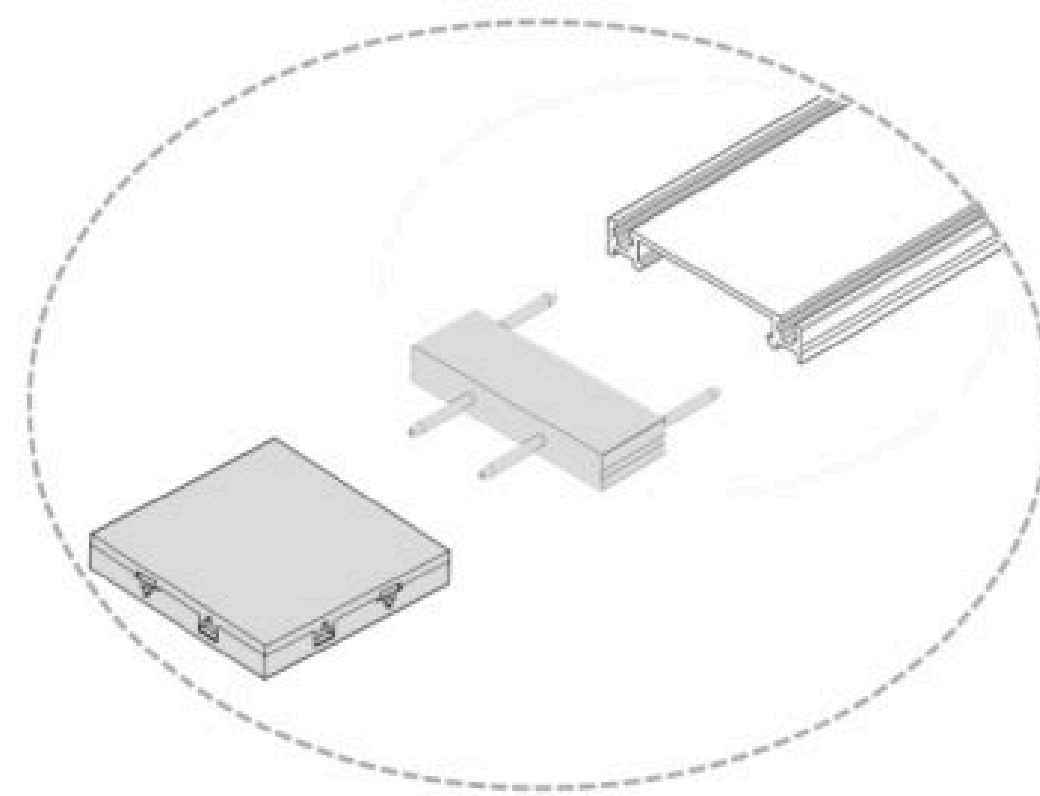


● Insert the copper pin of the module in the track under the copper bar

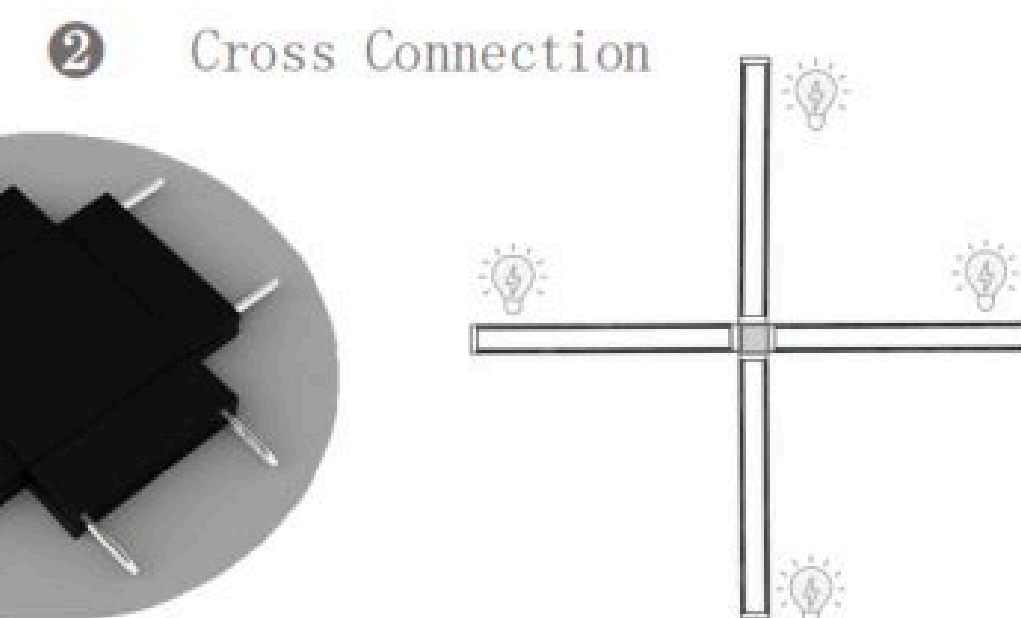
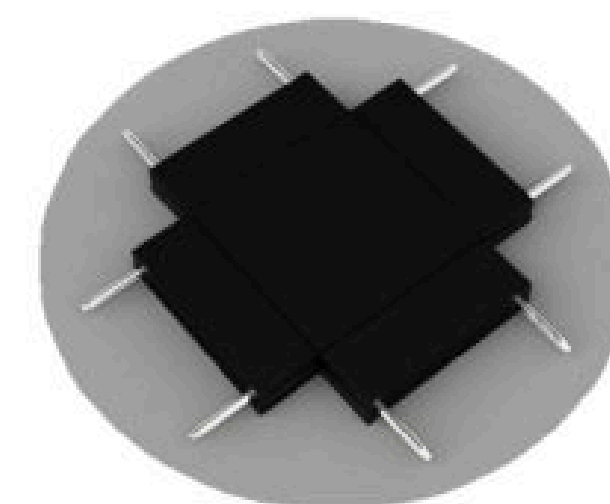
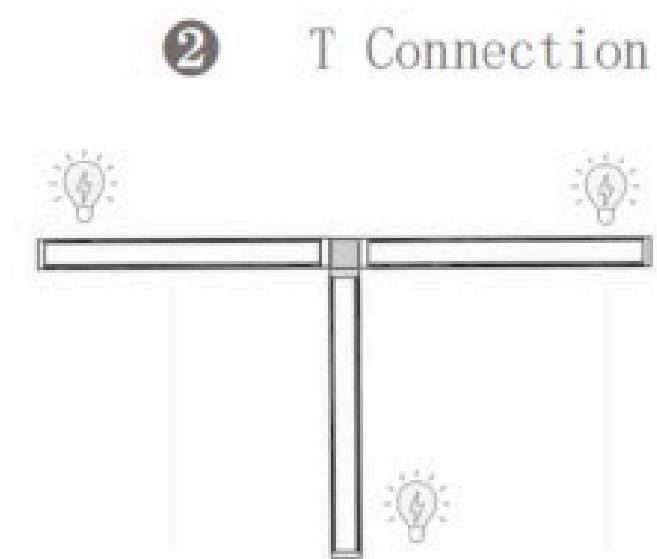
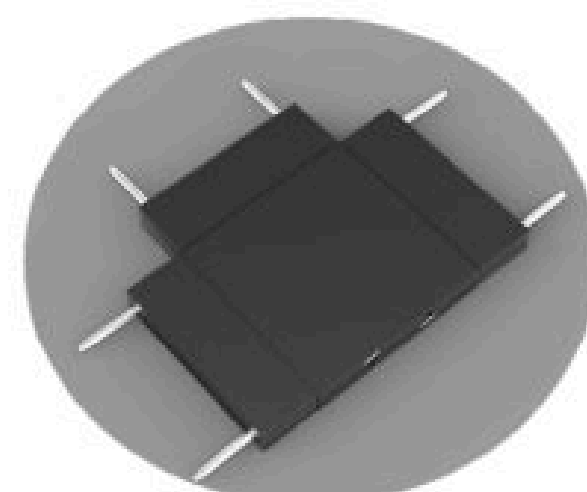
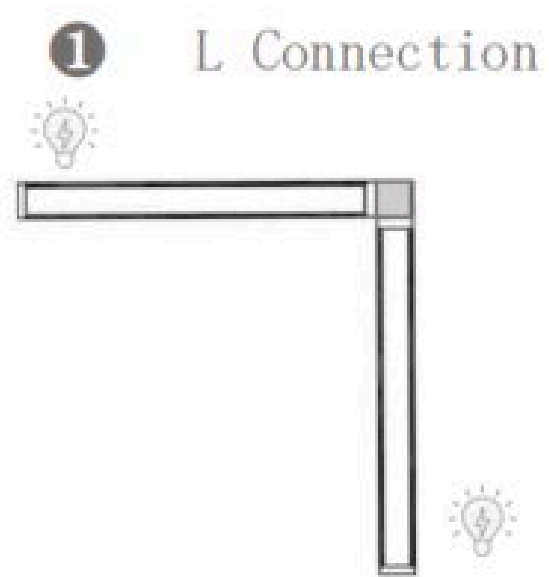
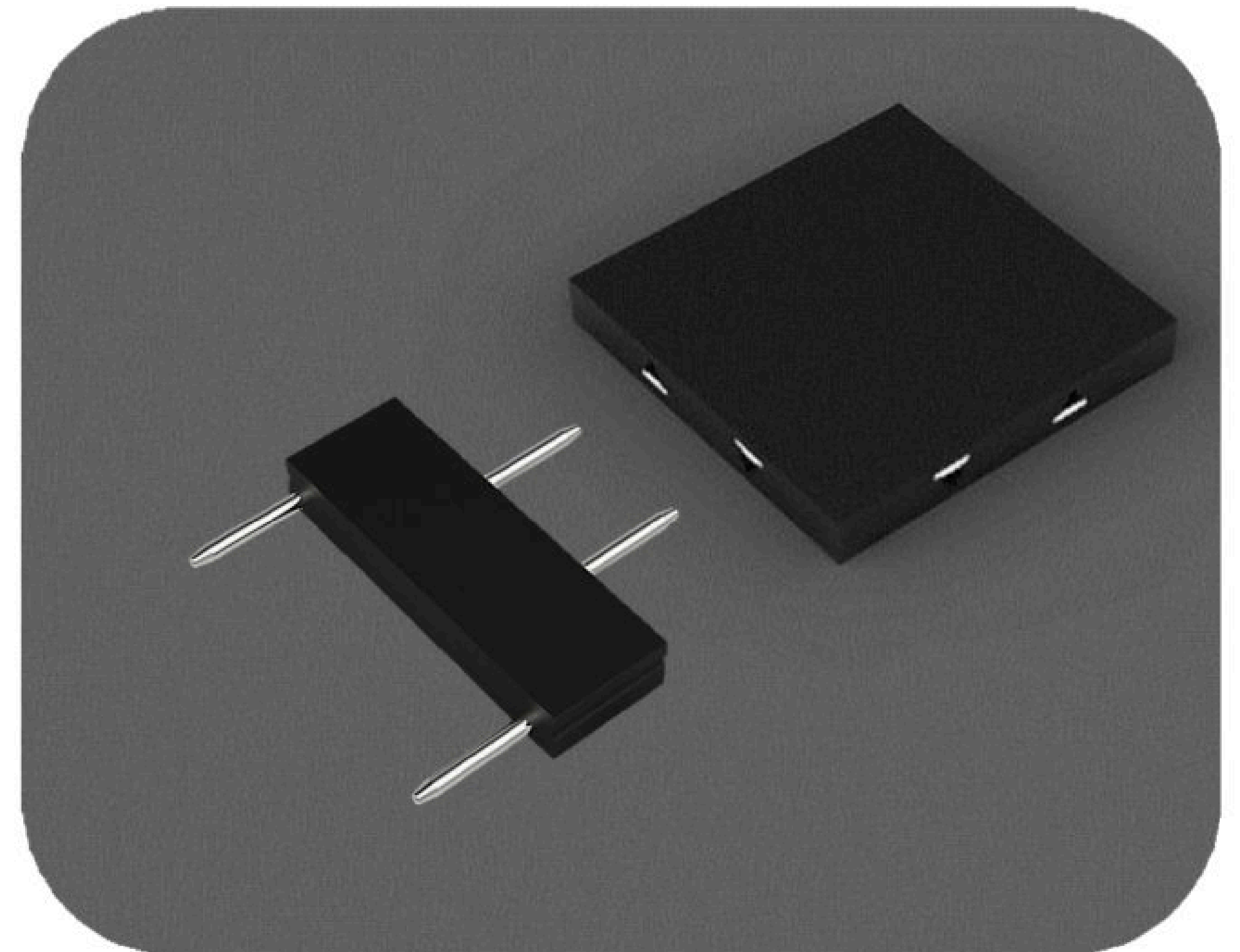


Cross Connect Module

- Model No.: MS Cross Connect Module
- Color: White Black
- Material: PC&COPPER
- Dimension: 30*30*5mm

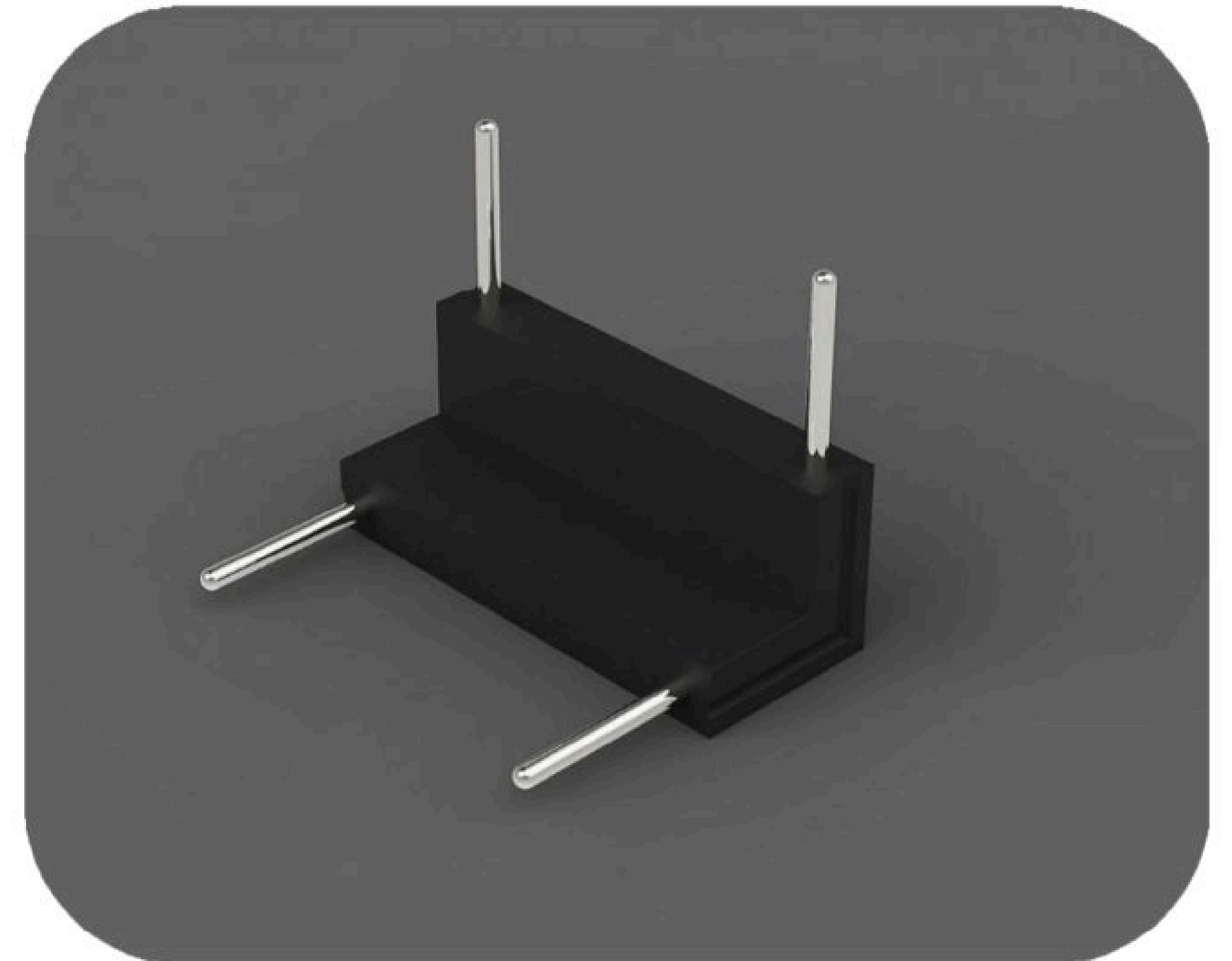
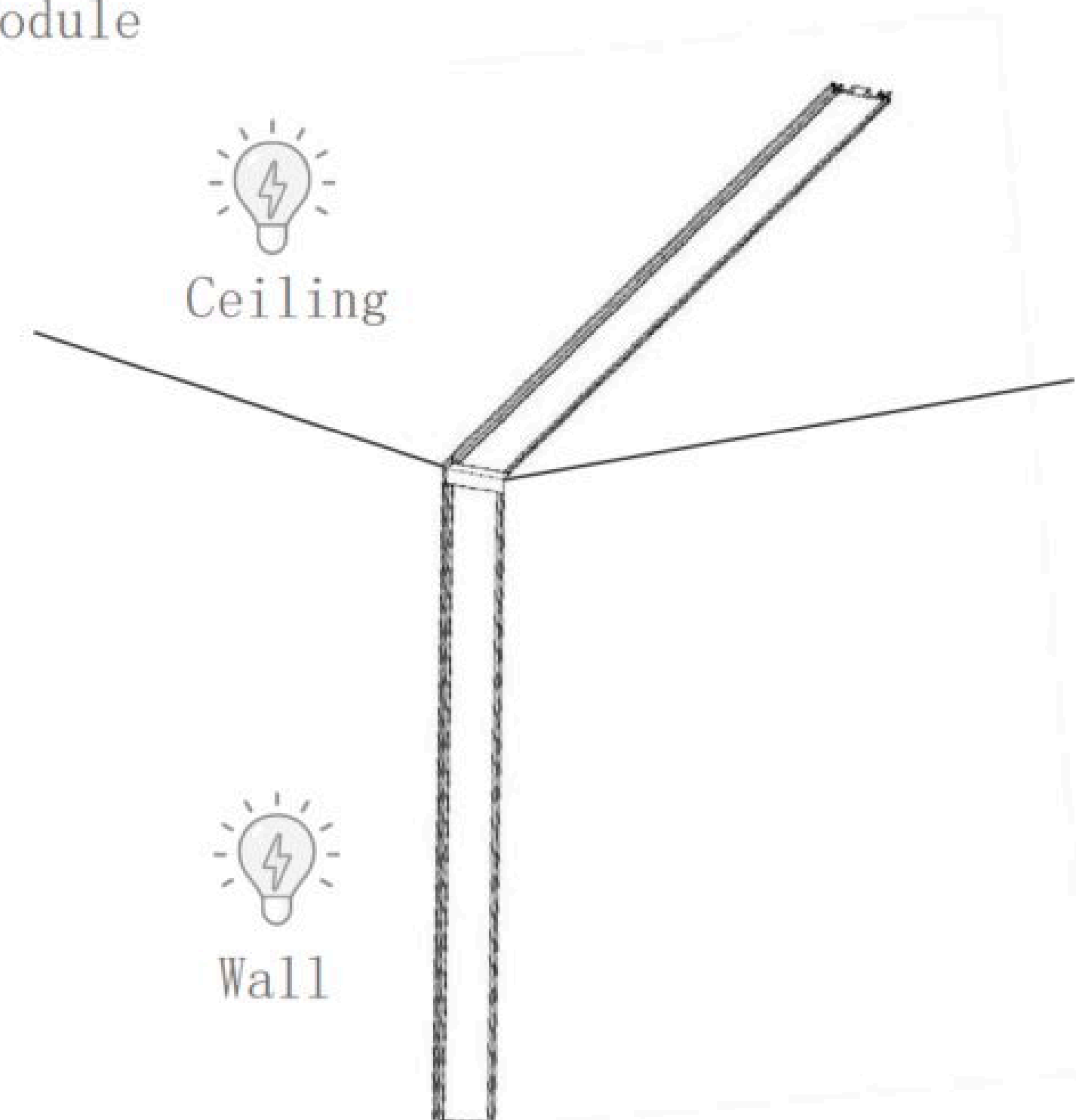


● Insert the copper pin of the module in the track under the copper bar



In&Out Connect Module

- Model No.: MS Cross Connect Module
- Color: White Black
- Material: PC&COPPER
- Dimension: 25*25*30mm



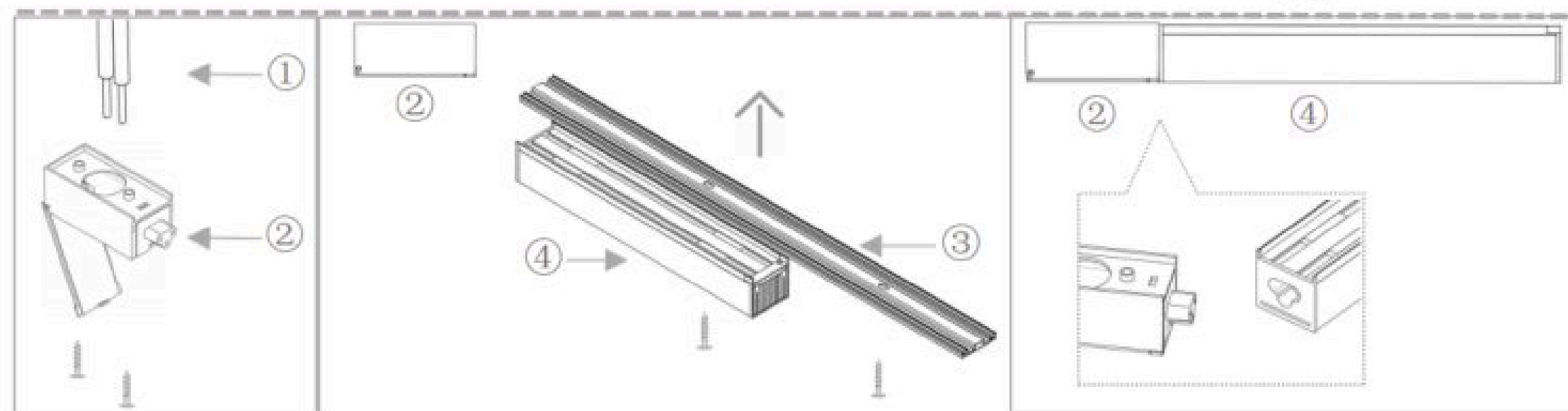
Power Supply 200W&100W

Easy replace

- Model No.: MS30-SP200W MS30-SP100W
- Color: White Black
- Input Voltage: 190-245Vac
- Output Voltage: DC48V
- Output Current: 2.1A 4.2A
- Dimension: 32*31*220mm 32*31*280mm



↓ CEILING



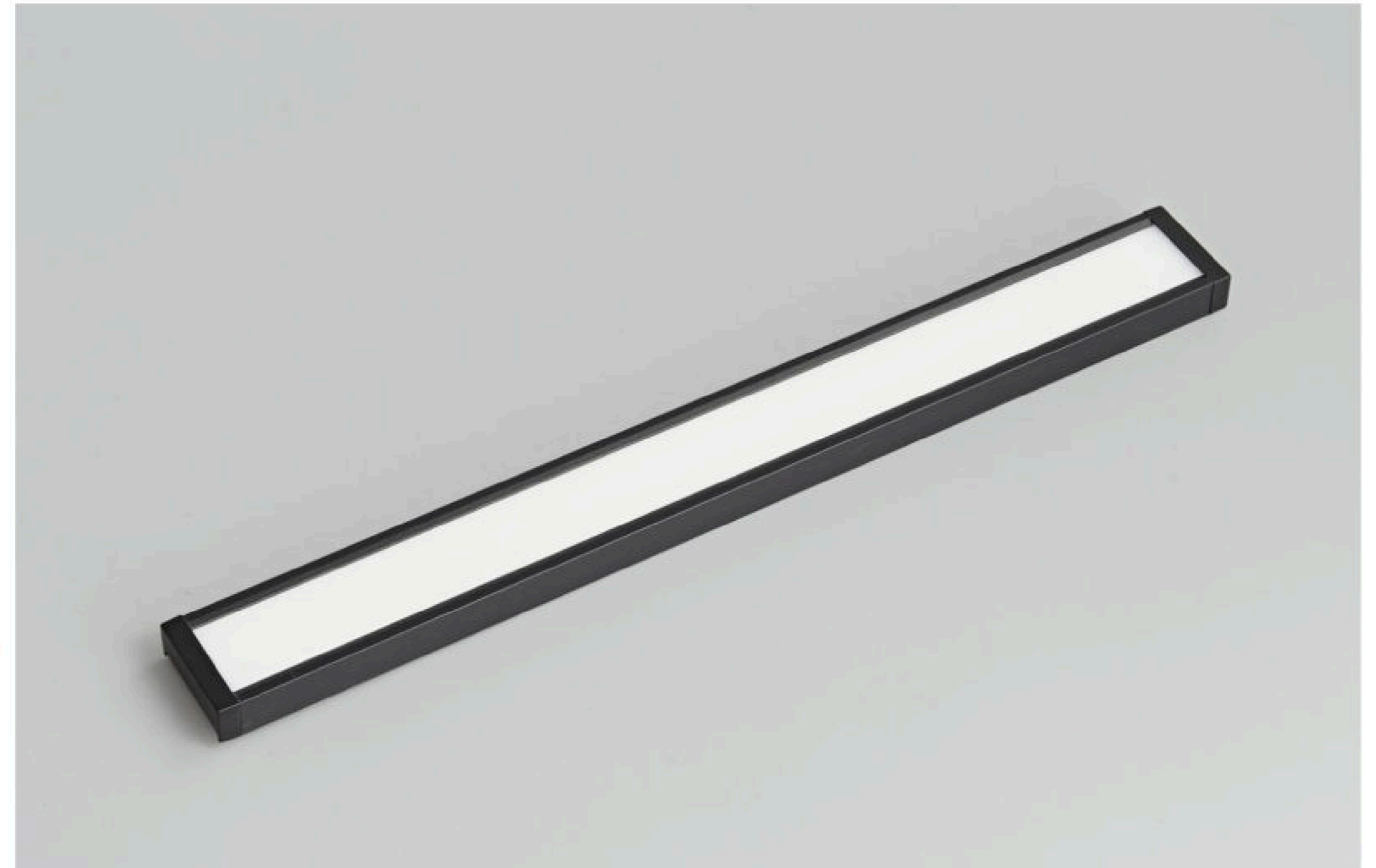
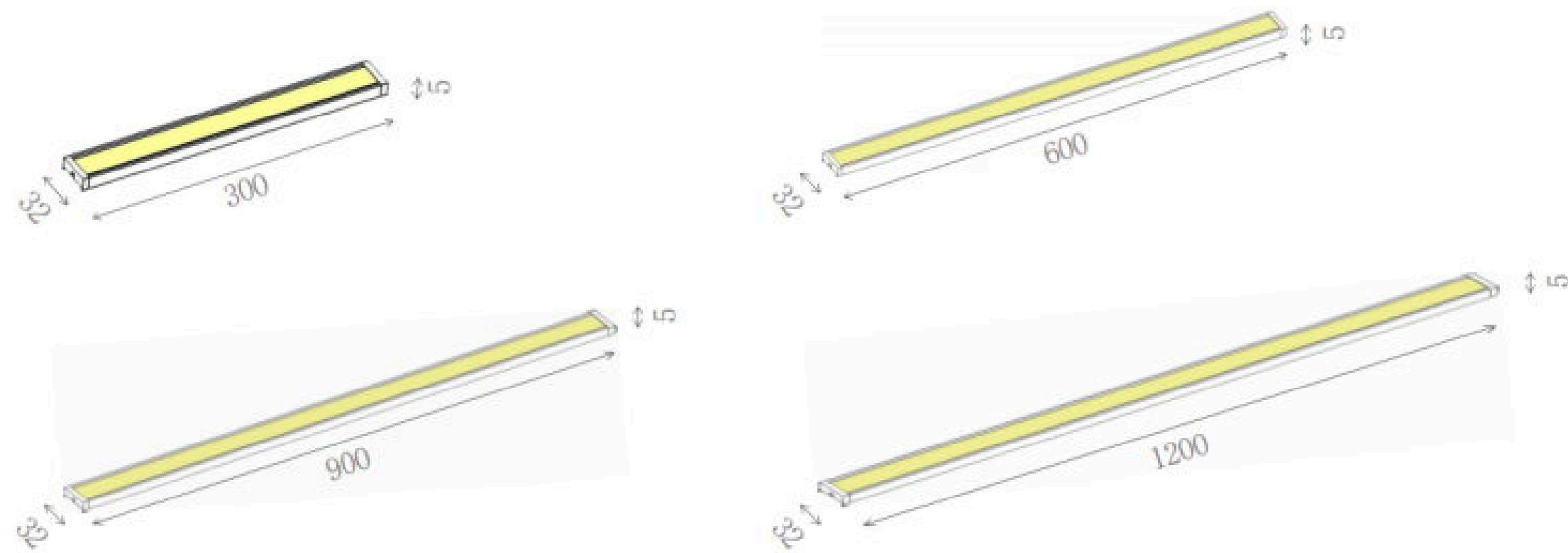
LIGHT MODULES



Diffused Model

Basic light

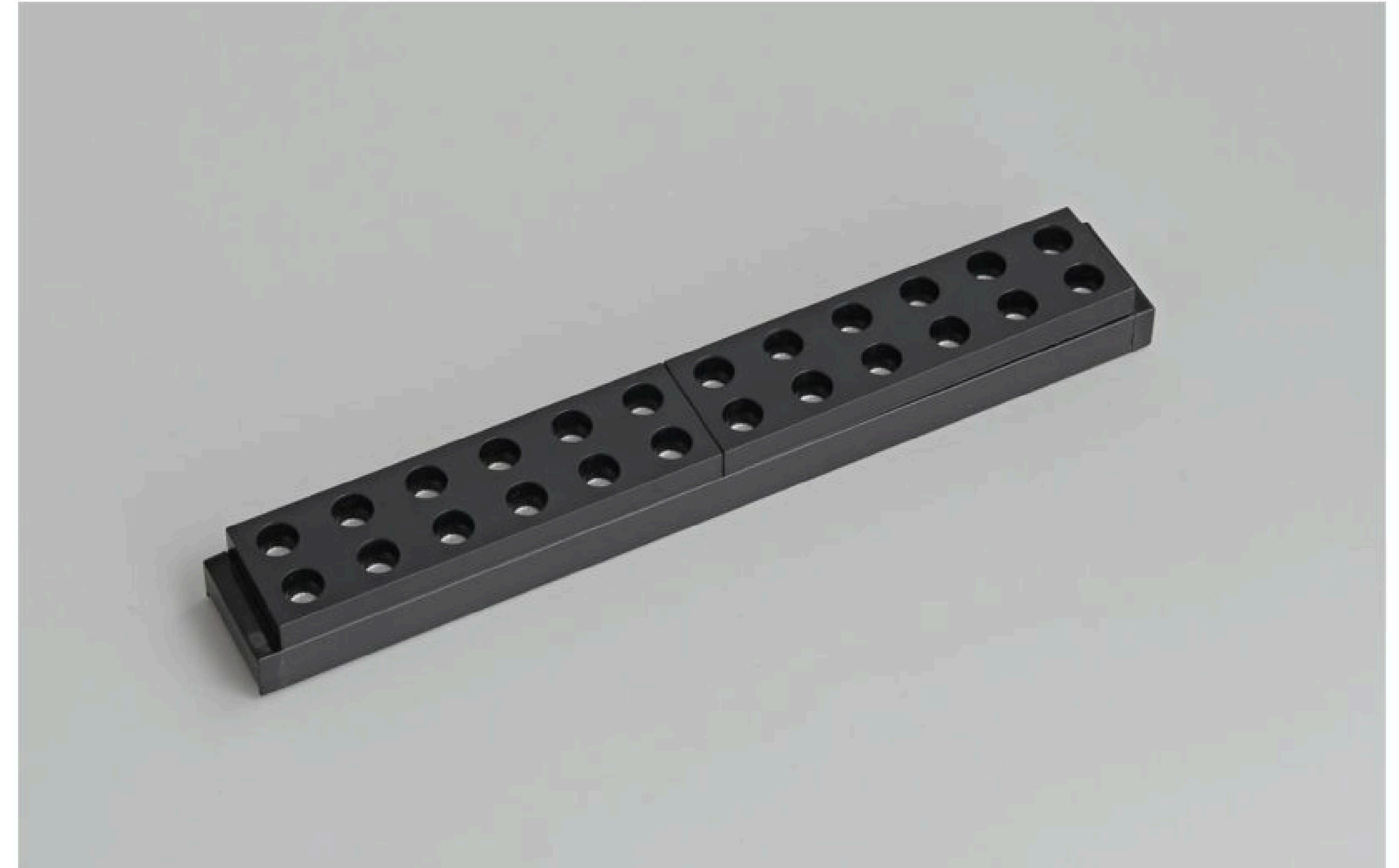
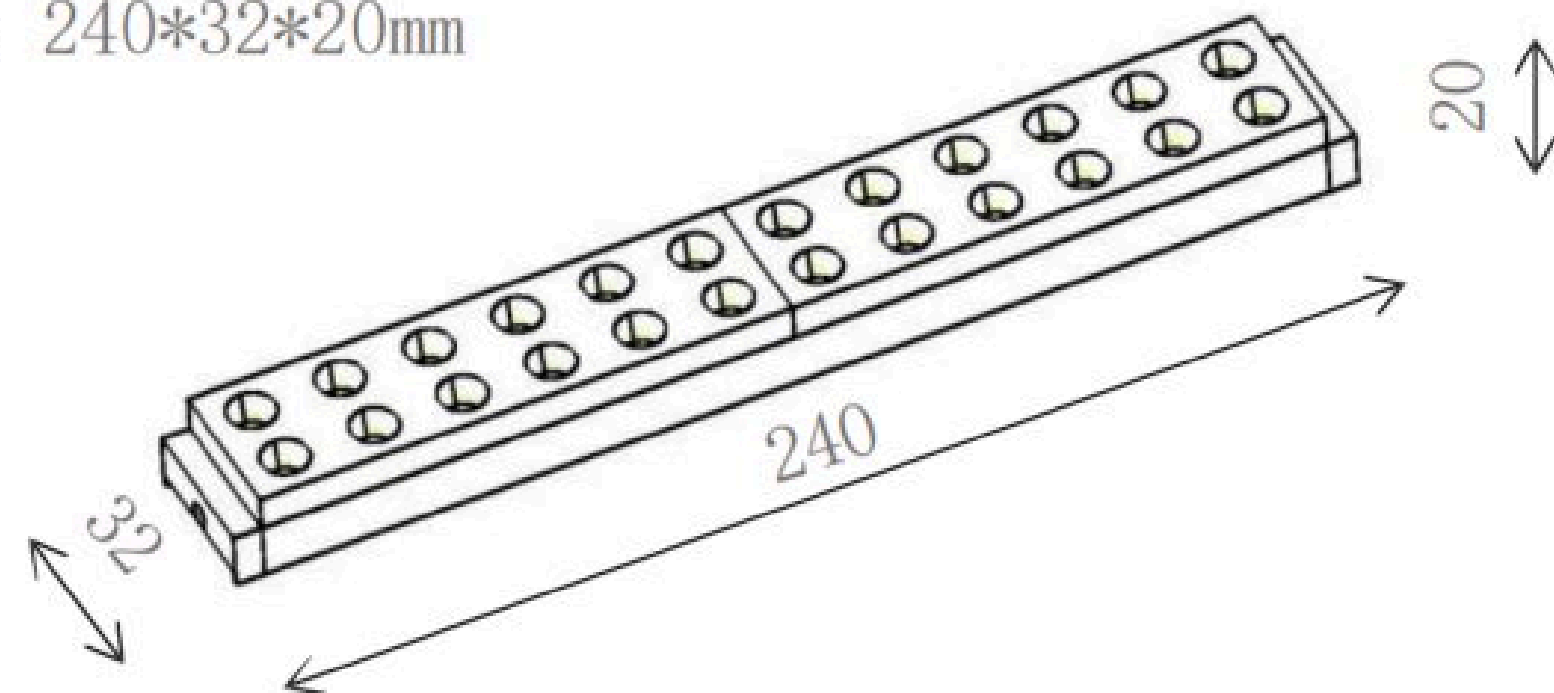
- Model No.: MS30-DF300/MS30-DF600/MS30-DF900/MS30-DF1200
- Color: White Black
- Input Voltage: DC48V
- Wattage: 12W/24W/36W/48W
- Beam Angle: 105°
- CCT: 3000K 4000K 5000K
- Ra: >90
- Dimension: 300*32*11mm/600*32*11mm/900*32*11mm/1200*32*11mm



Grille Model

Anti-glare Focus light

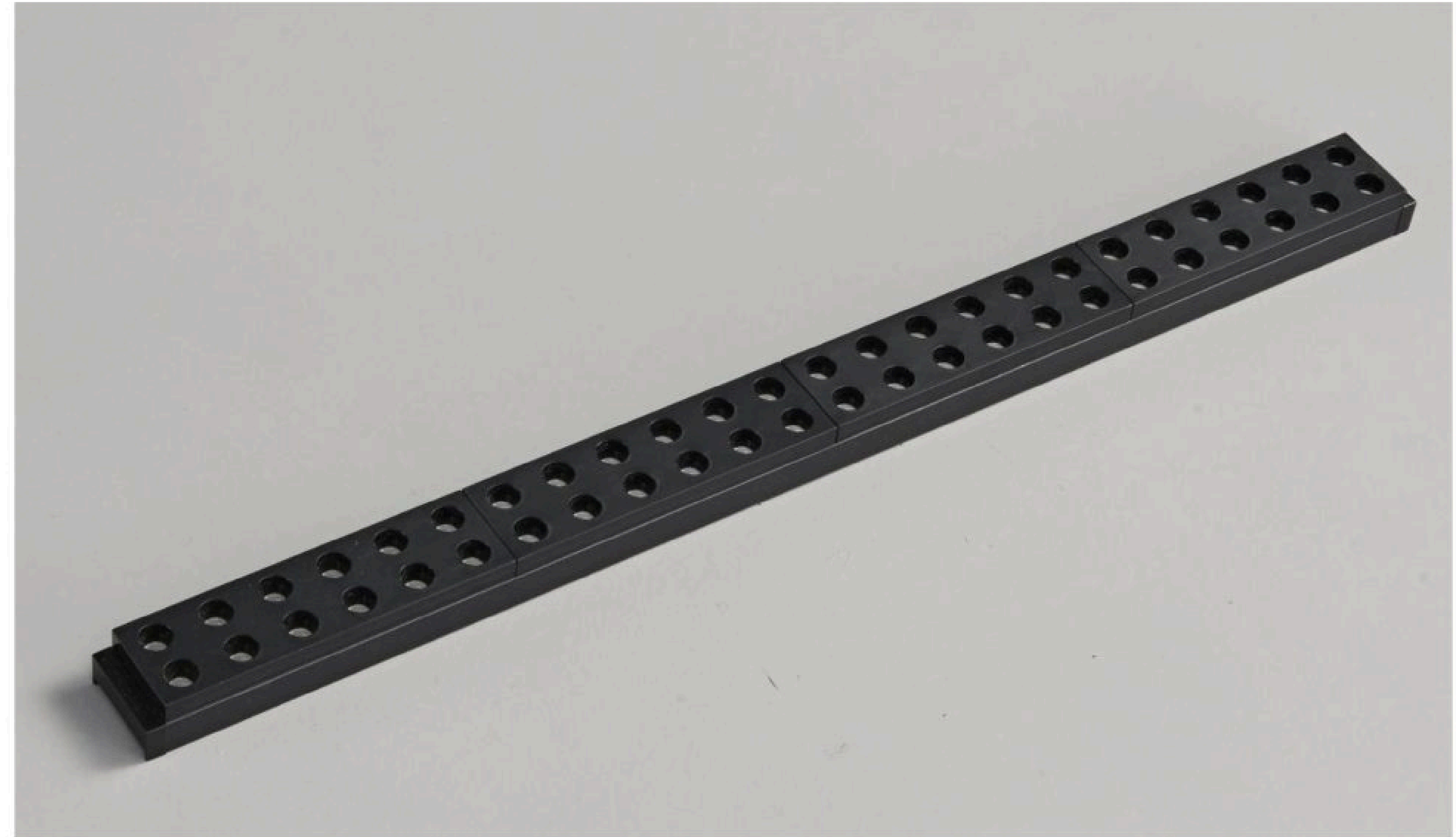
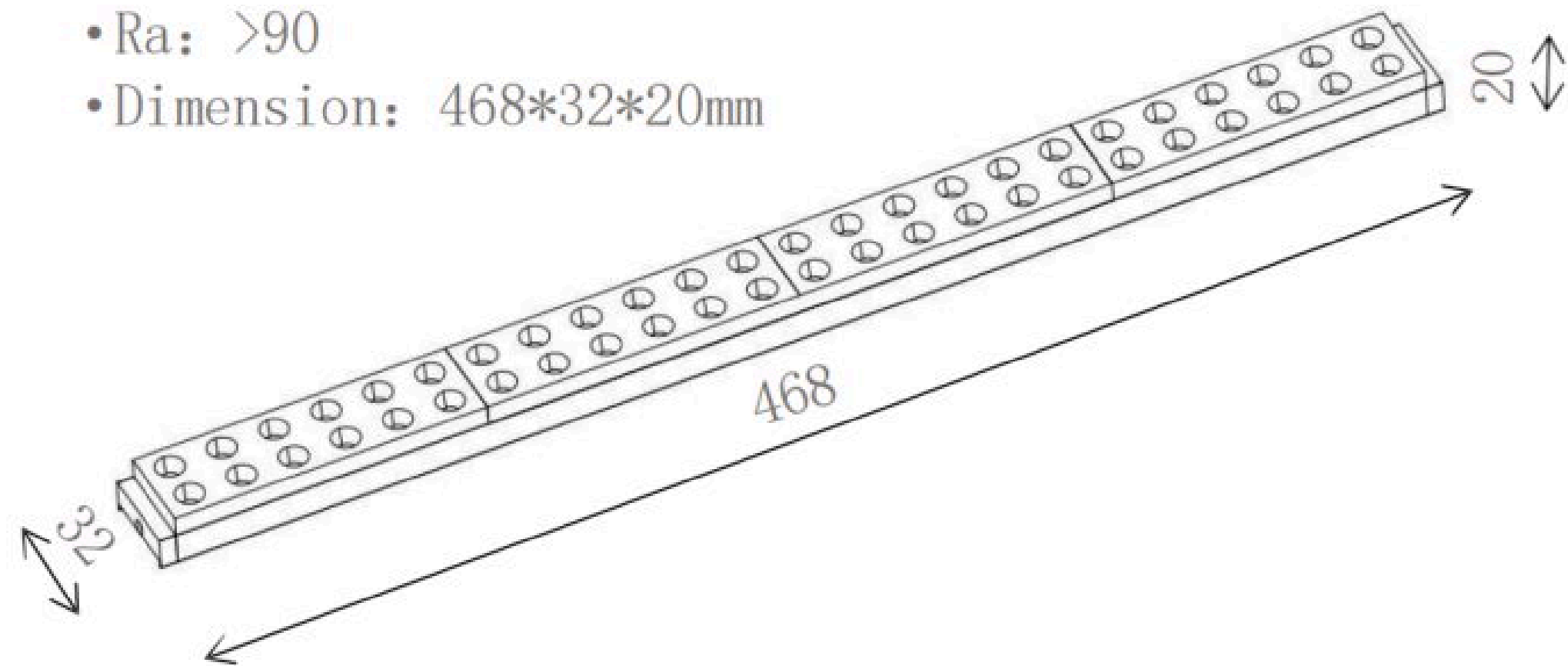
- Model No.: MS30-LB24
- Color: White Black
- Input Voltage: 48V
- Wattage: 10W
- Beam Angle: 30°
- CCT: 3000K 4000K 5000K
- Ra: >90
- Dimension: 240*32*20mm



Grille Model

Anti-glare Focus light

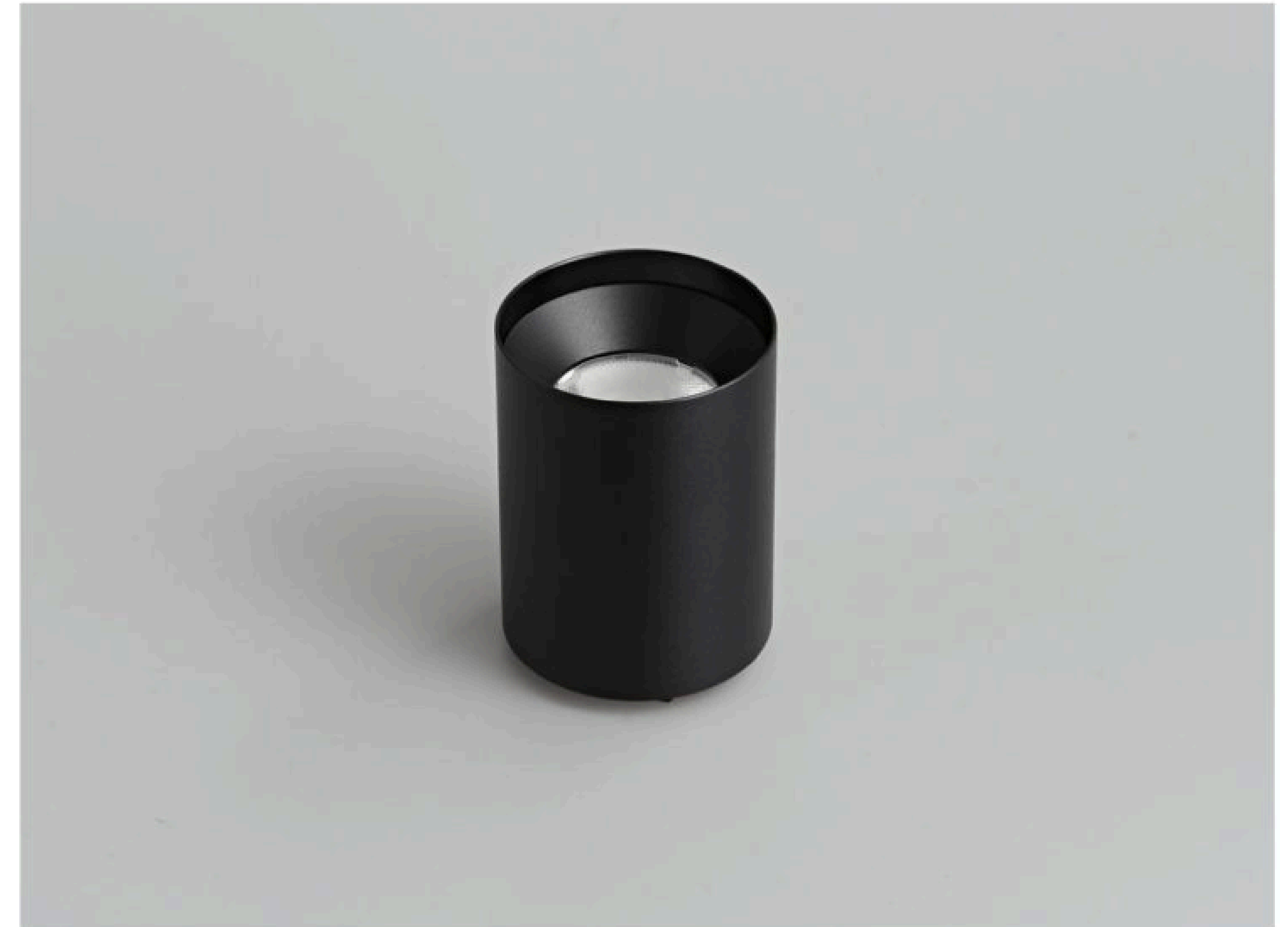
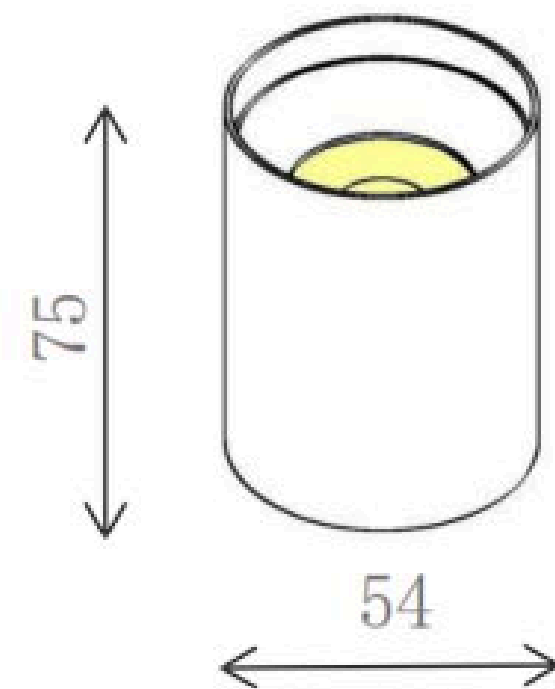
- Model No. : MS30-LB48
- Color: White Black
- Input Voltage: 48V
- Wattage: 20W
- Beam Angle: 30°
- CCT: 3000K 4000K 5000K
- Ra: >90
- Dimension: 468*32*20mm



Round Downlight

Anti-glare Focus light

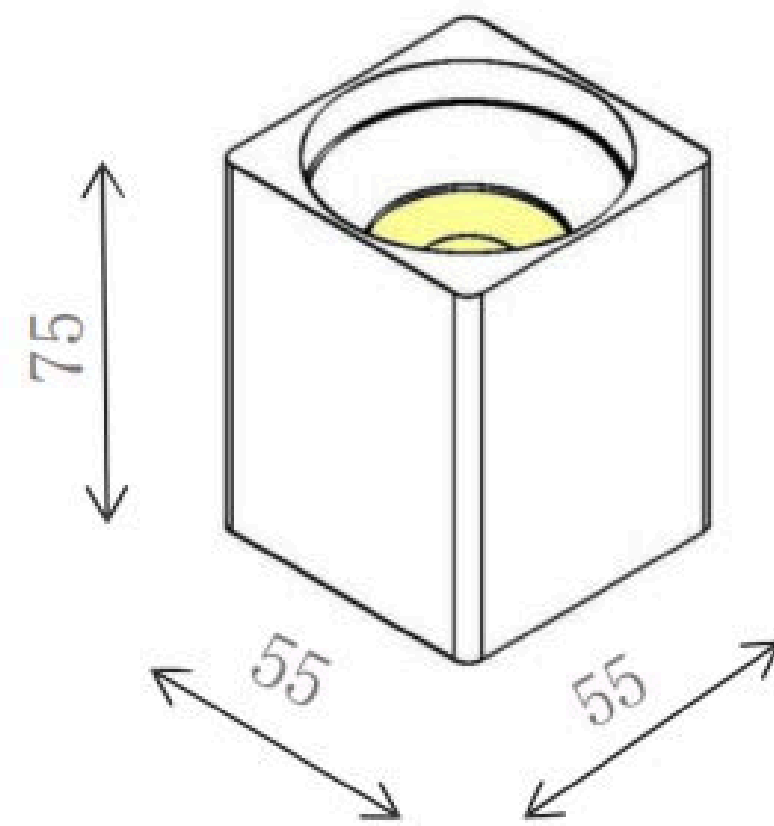
- Model No.: MS30-DR54
- Color: White Black
- Input Voltage: 48V
- Wattage: 7W
- Beam Angle: 24°
- CCT: 3000K 4000K 5000K
- Ra: >90
- Dimension: \varnothing 54*75mm



Square Downlight

Anti-glare Focus light

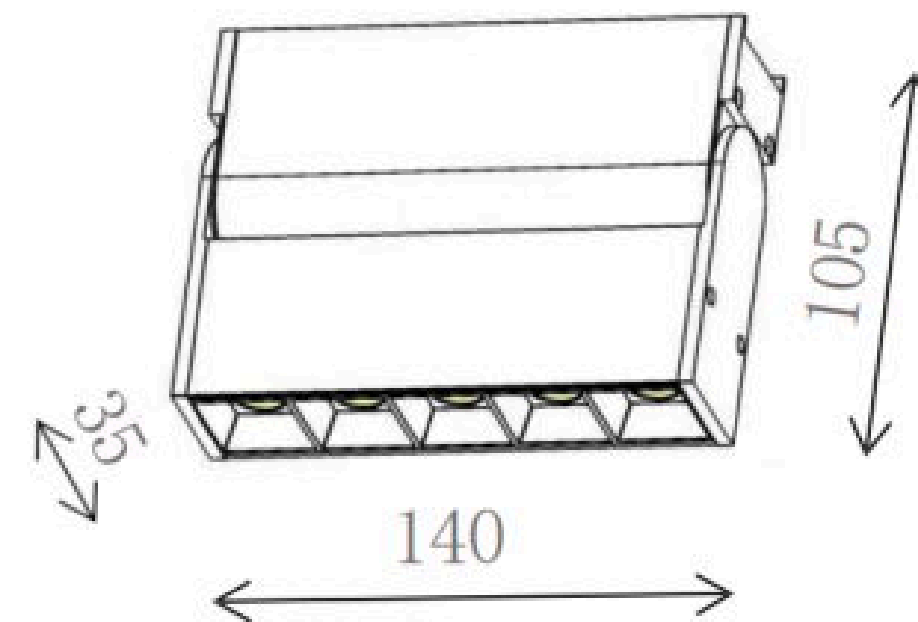
- Model No.: MS30-DS54
- Color: White Black
- Input Voltage: 48V
- Wattage: 7W
- Beam Angle: 24°
- CCT: 3000K 4000K 5000K
- Ra: >90
- Dimension: 55*55*75m



Folded Grille light

Anti-glare Focus light

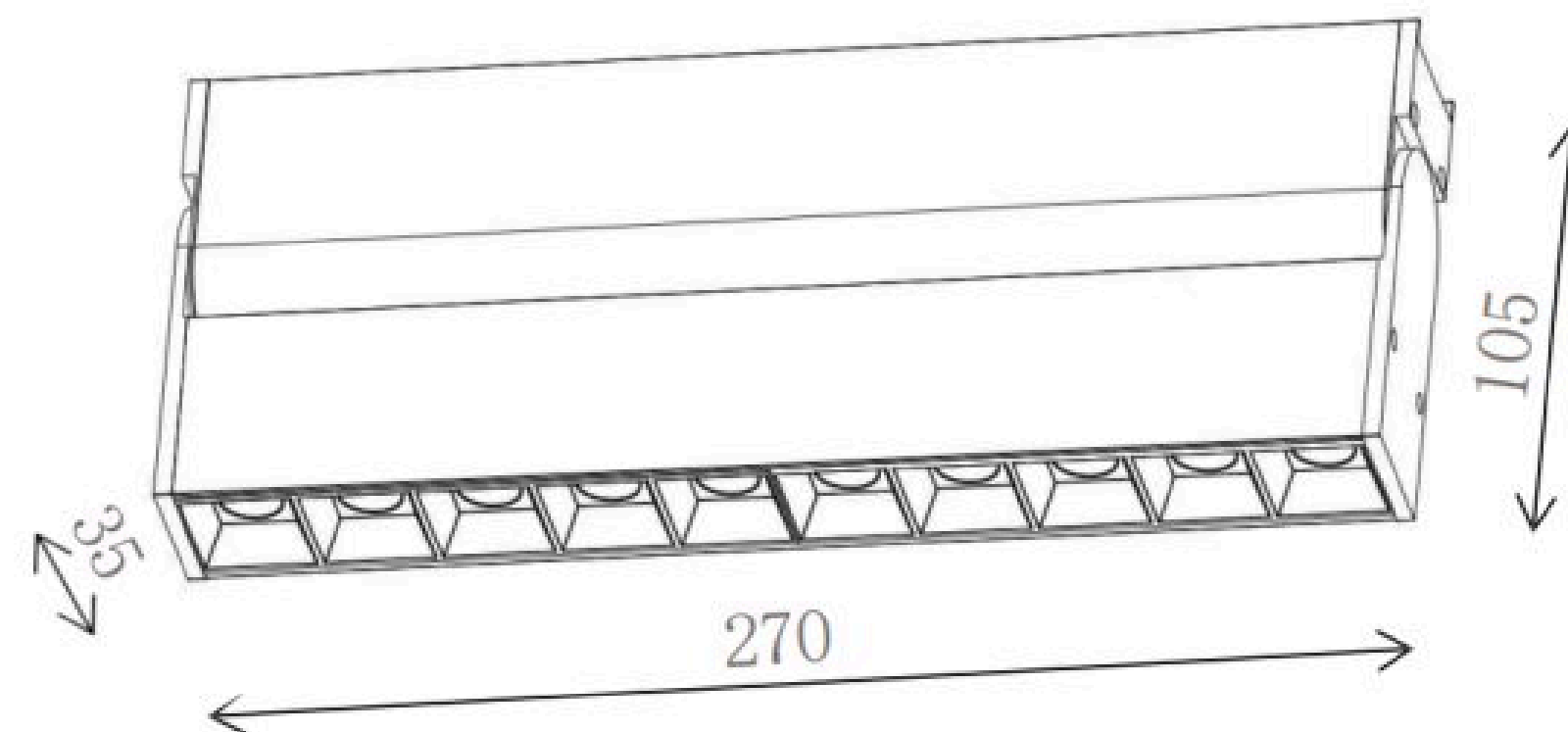
- Model No.: MS30-FD5
- Color: White Black
- Input Voltage: 48V
- Wattage: 10W
- Beam Angle: 30°
- CCT: 3000K 4000K 5000K
- Ra: >90
- Dimension: 140*35*105mm



Folded Grille light

Anti-glare Focus light

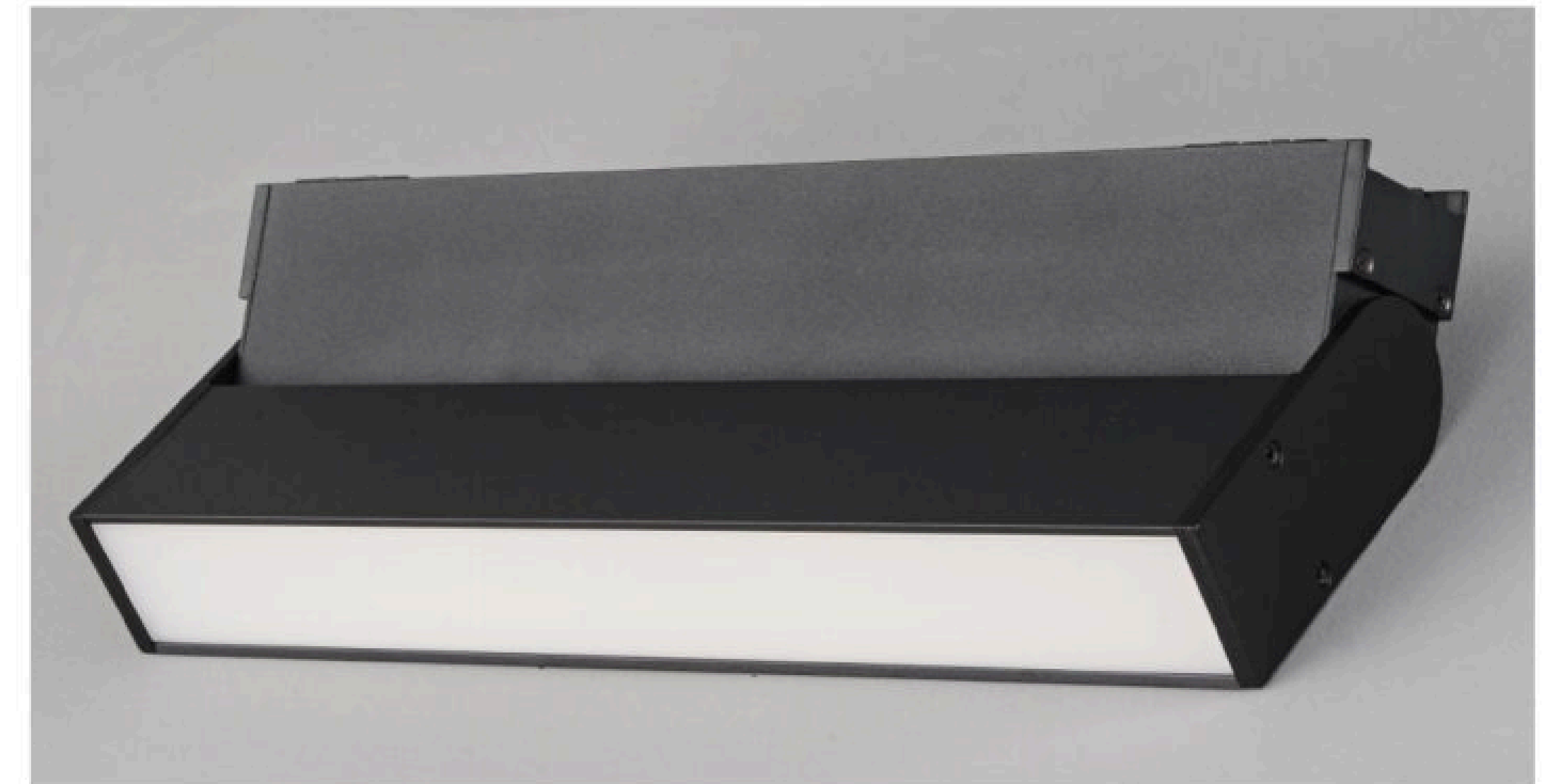
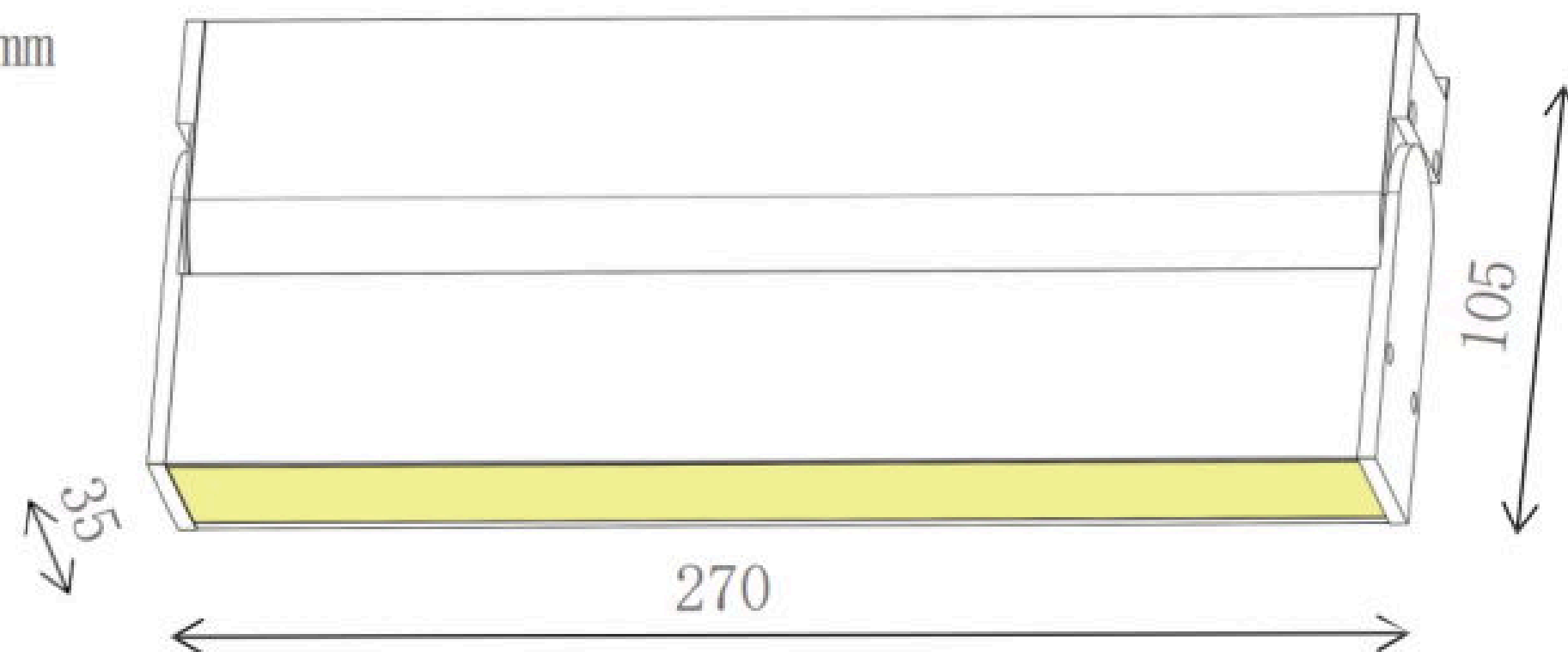
- Model No.: MS30-FD10
- Color: White Black
- Input Voltage: 48V
- Wattage: 20W
- Beam Angle: 30°
- CCT: 3000K 4000K 5000K
- Ra: >90
- Dimension: 270*35*105mm



Folded Grille light

Rotable Diffused light

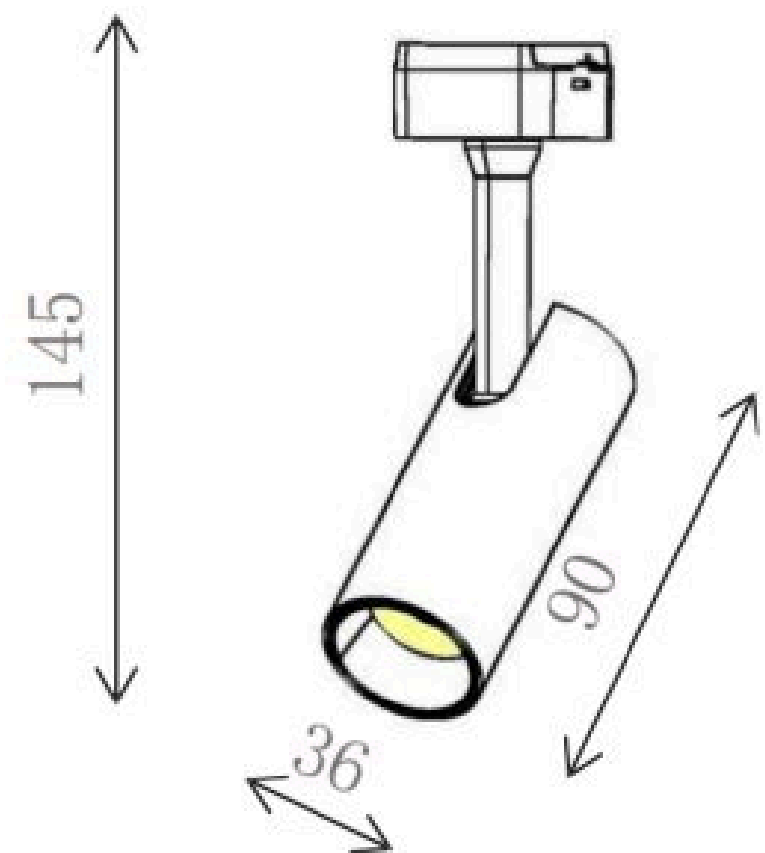
- Model No.: MS30-FD10D
- Color: White Black
- Input Voltage: 48V
- Wattage: 12W
- Beam Angle: 105°
- CCT: 3000K 4000K 5000K
- Ra: >90
- Dimension: 270*35*105mm



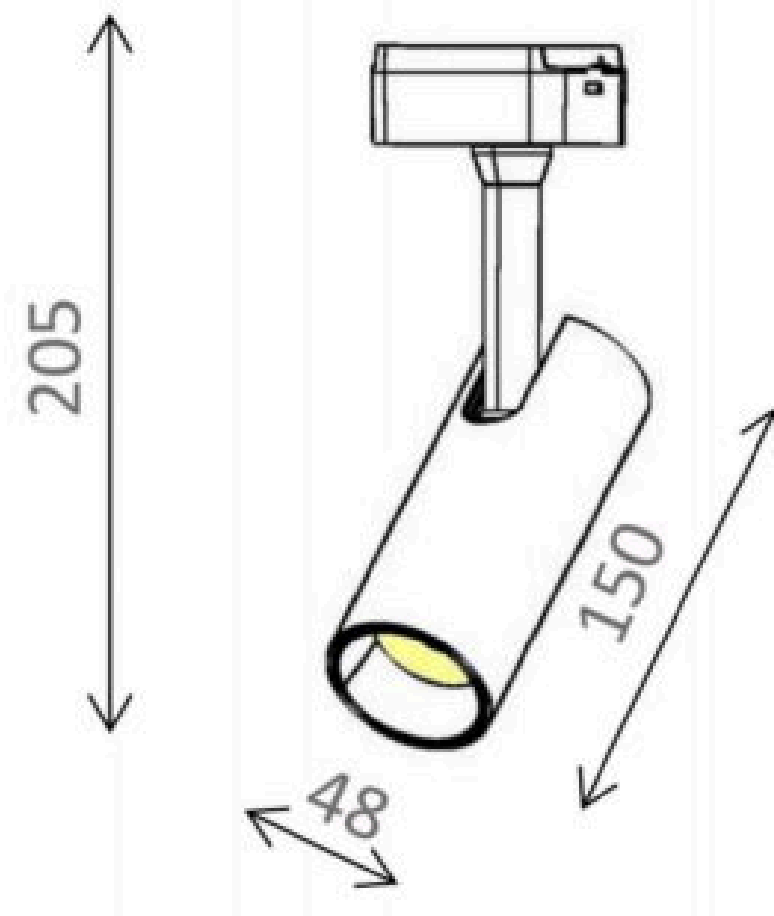
Track light

Anti-glare Focus light

- Model No.: MS30-TL7
- Color: White Black
- Input Voltage: 48V
- Wattage: 7W
- Beam Angle: 24°
- CCT: 3000K 4000K 5000K
- Ra: >90
- Dimension: \varnothing 36*90*145mm



- Model No.: MS30-TL12
- Color: White Black
- Input Voltage: 48V
- Wattage: 12W
- Beam Angle: 24°
- CCT: 3000K 4000K 5000K
- Ra: >90
- Dimension: \varnothing 48*150*205mm

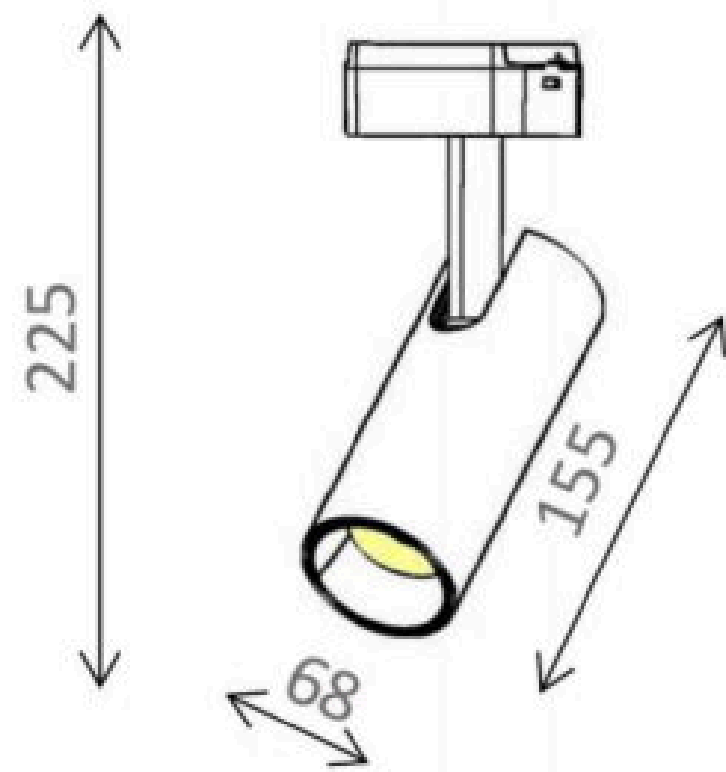
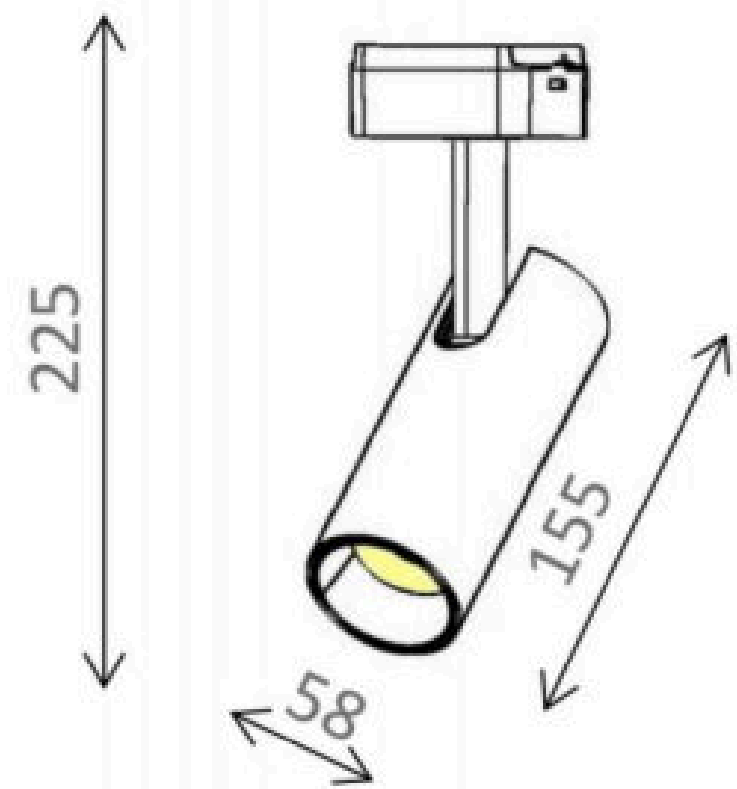


Track light

Anti-glare Focus light

- Model No.: MS30-TL18
- Color: White Black
- Input Voltage: 48V
- Wattage: 18W
- Beam Angle: 24°
- CCT: 3000K 4000K 5000K
- Ra: >90
- Dimension: \varnothing 58*155*225mm

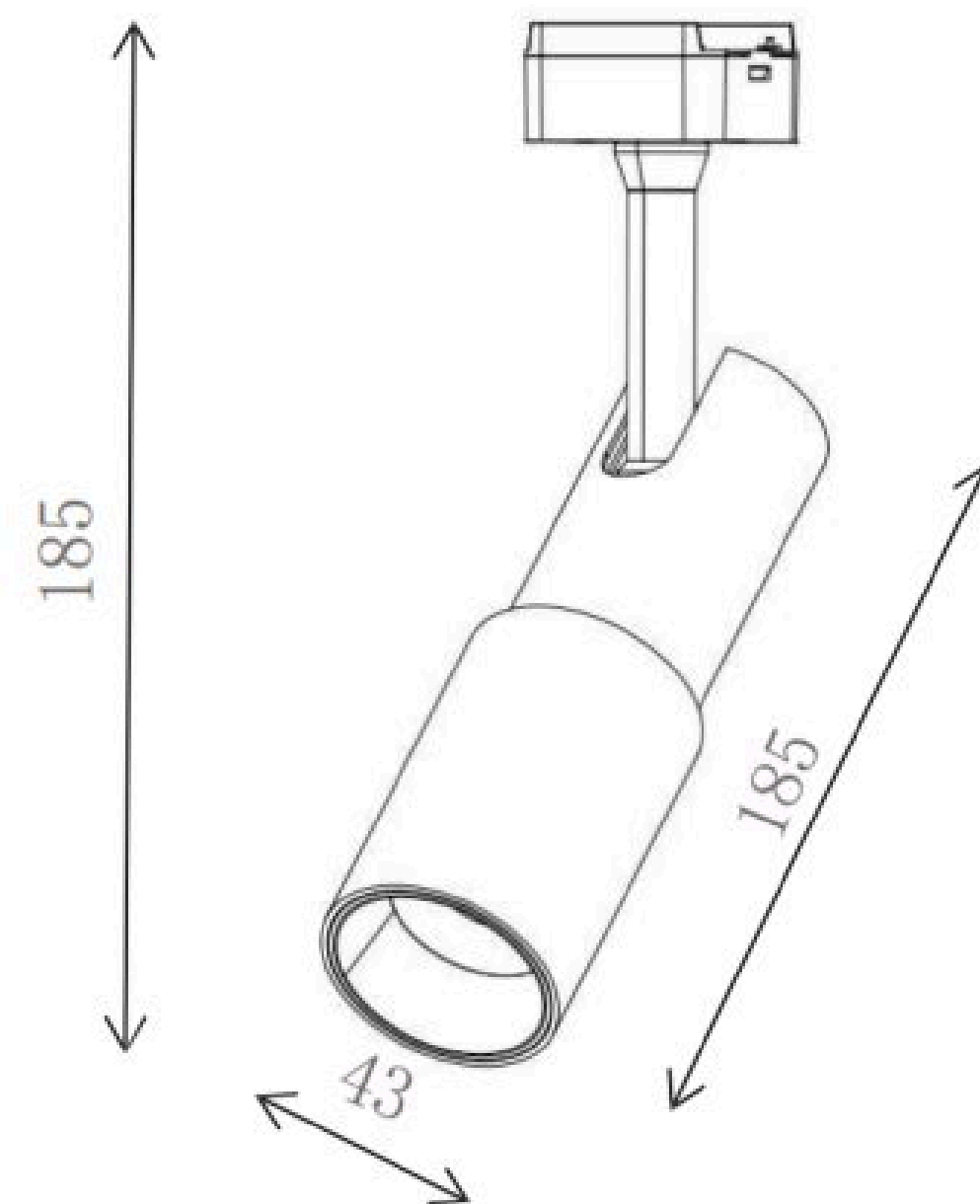
- Model No.: MS30-TL30
- Color: White Black
- Input Voltage: 48V
- Wattage: 30W
- Beam Angle: 24°
- CCT: 3000K 4000K 5000K
- Ra: >90
- Dimension: \varnothing 68*155*225mm



Track light-Focus Adjustable

Anti-glare Focus light

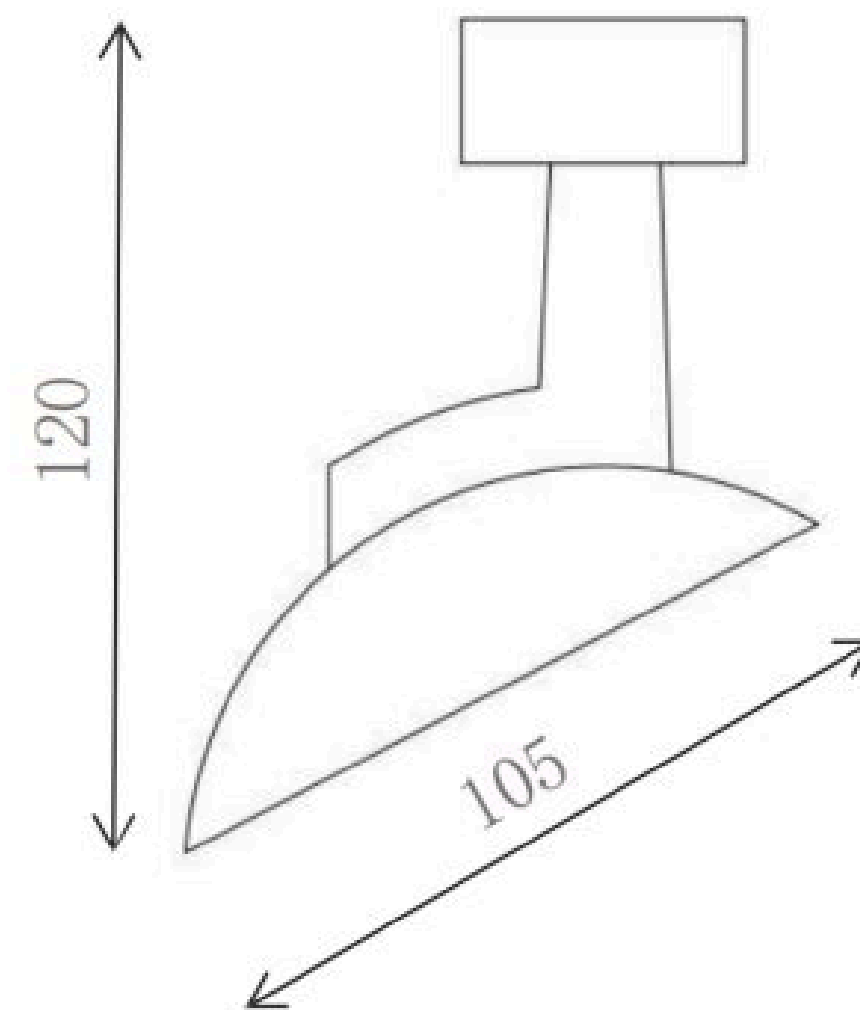
- Model No.: MS30-TL7/FA
- Color: White Black
- Input Voltage: 48V
- Wattage: 7W
- Beam Angle: 10-60°
- CCT: 3000K 4000K 5000K
- Ra: >90
- Dimension: $\phi 43 \times 185 \times 185 \text{mm}$



Track light-Shell

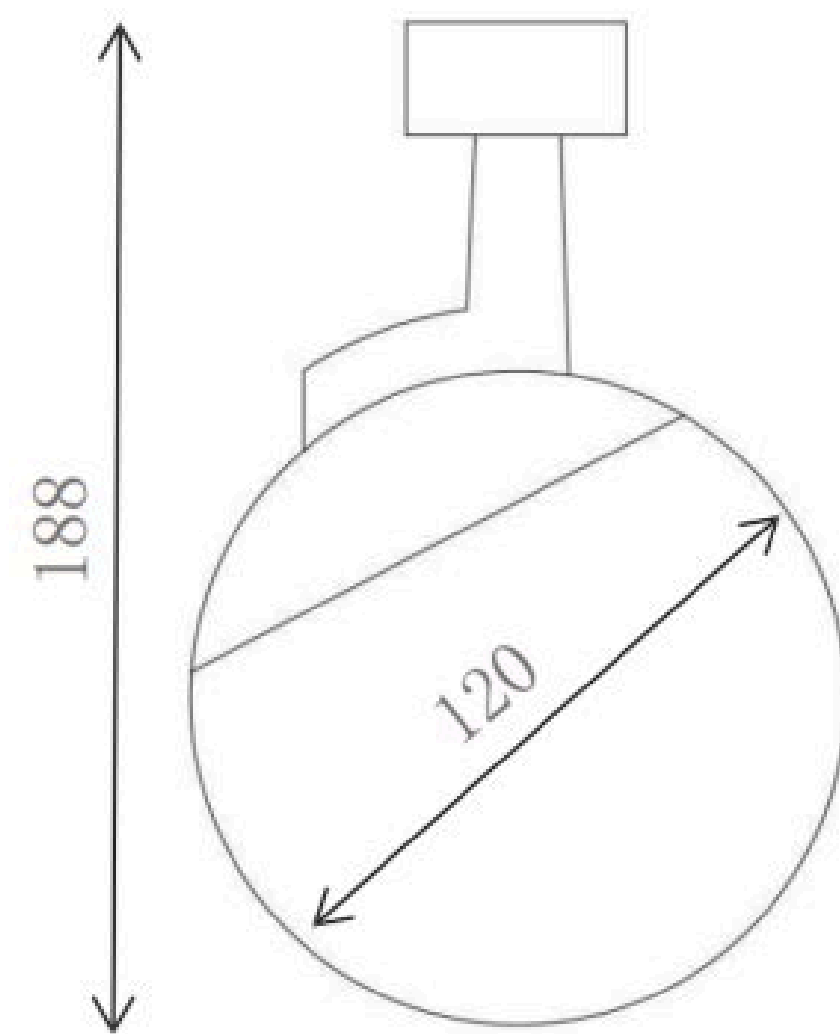
Anti-glare Focus light

- Model No.: MS30-TS7
- Color: White Black
- Input Voltage: 48V
- Wattage: 7W
- Beam Angle: 24°
- CCT: 3000K 4000K 5000K
- Ra: >90
- Dimension: \varnothing 105*120mm



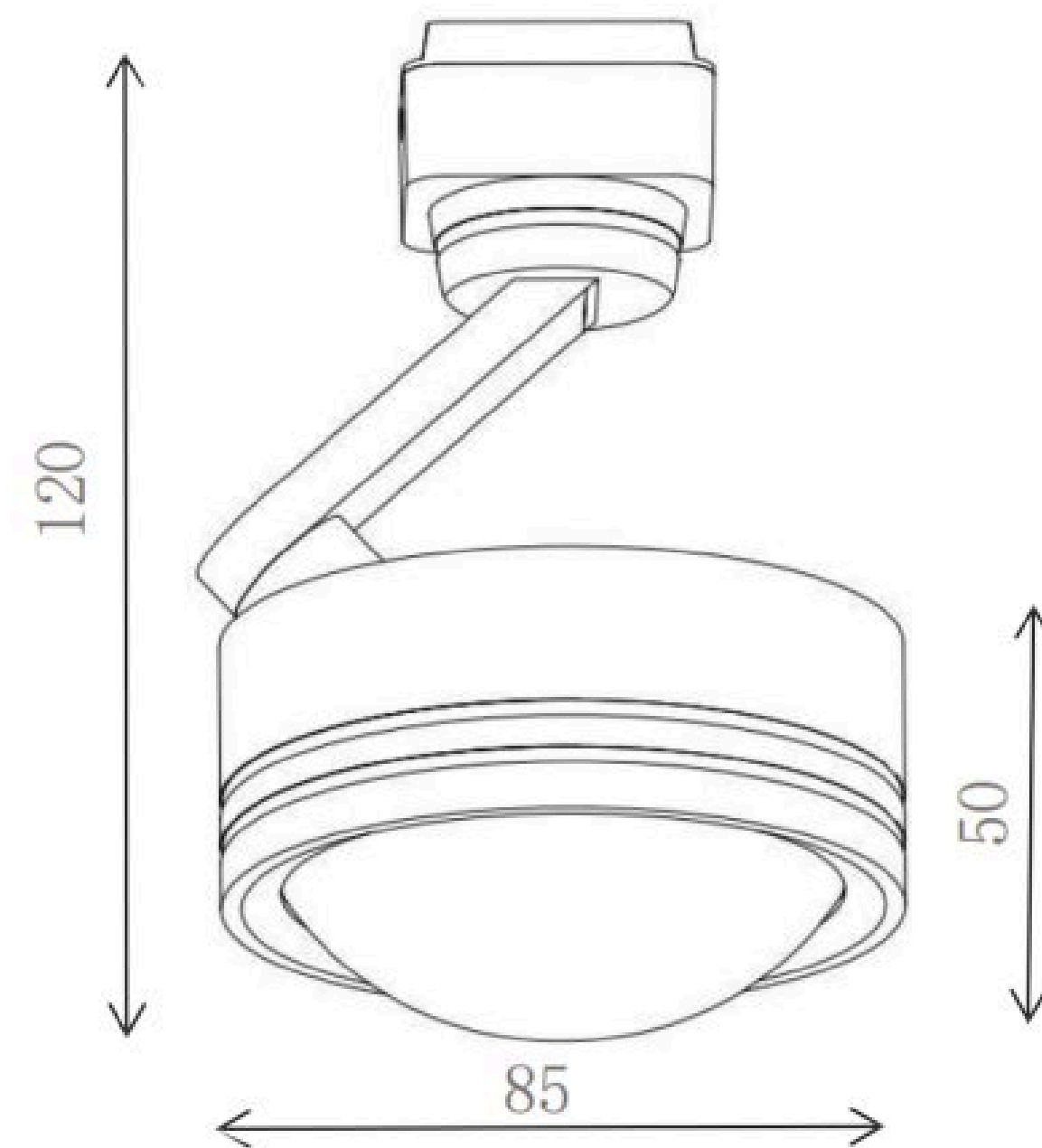
Track light-Pearl

- Model No.: MS30-TP7
- Color: White Black
- Input Voltage: 48V
- Wattage: 7W
- Beam Angle: 180°
- CCT: 3000K 4000K 5000K
- Ra: >90
- Dimension: \varnothing 120*188mm



Track light-Moon Stone

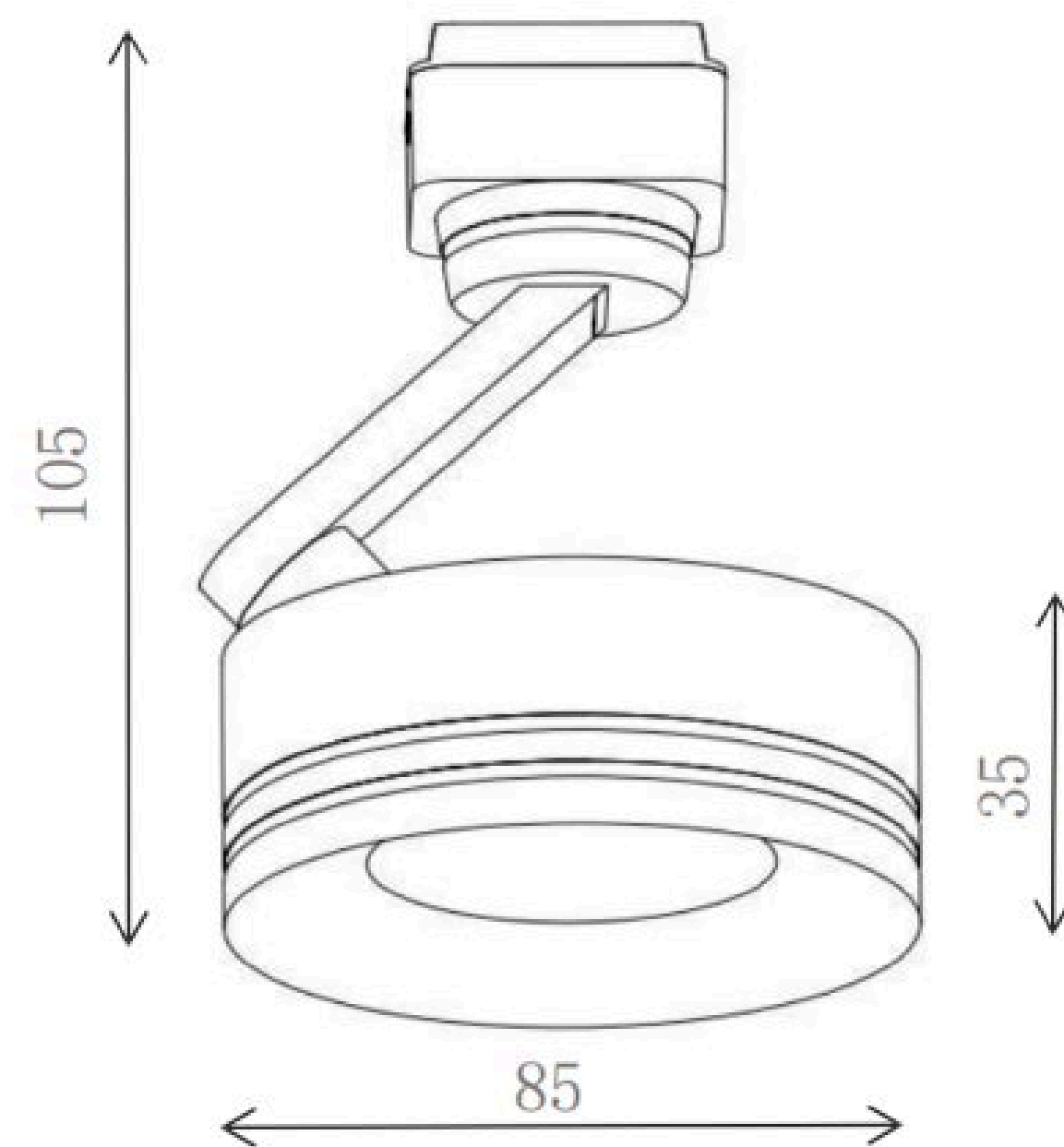
- Model No.: MS30-TM7
- Color: White Black
- Input Voltage: 48V
- Wattage: 7W
- Beam Angle: 90°
- CCT: 3000K 4000K
- Ra: >90
- Dimension: $\phi 85*50*120\text{mm}$



Track light-Moon Stone/L

Anti-glare Focus light

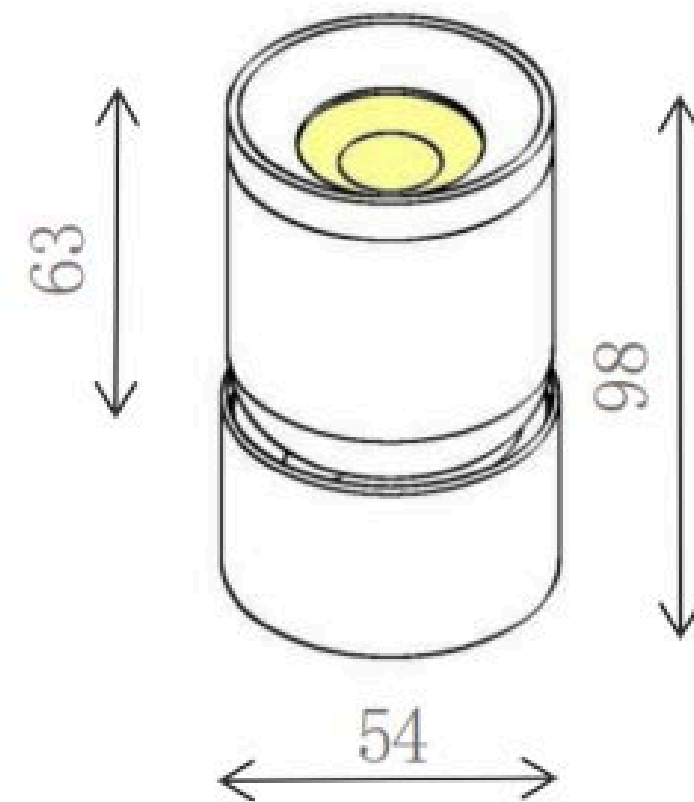
- Model No.: MS30-TML7
- Color: White Black
- Input Voltage: 48V
- Wattage: 7W
- Beam Angle: 24°
- CCT: 3000K 4000K 5000K
- Ra: >90
- Dimension: $\phi 85 \times 35 \times 105 \text{mm}$



Rotatable Round Spotlight

Anti-glare Focus light

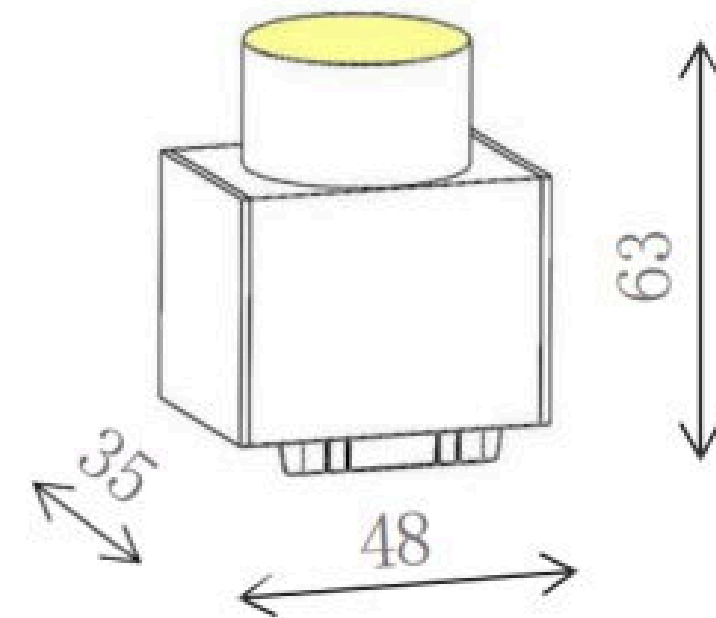
- Model No. : MS30-DR54R
- Color: White Black
- Input Voltage: 48V
- Wattage: 7W
- Beam Angle: 24°
- CCT: 3000K 4000K 5000K
- Ra: >90
- Dimension: $\varnothing 54*63*98\text{mm}$



Elfin Spotlight

Anti-glare Focus light

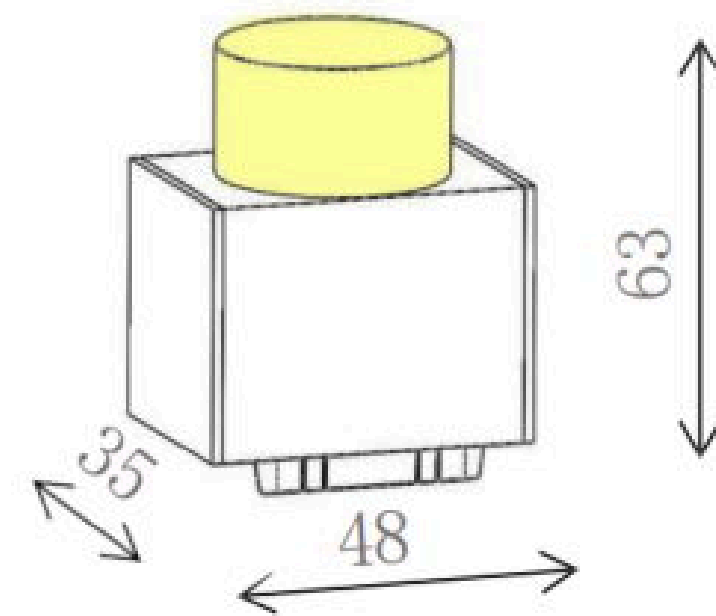
- Model No.: MS30-SP1
- Color: White Black
- Input Voltage: 48V
- Wattage: 6W
- Beam Angle: 36°
- CCT: 3000K 4000K 5000K
- Ra: >90
- Dimension: 48*35*63mm



Elfin Arc light

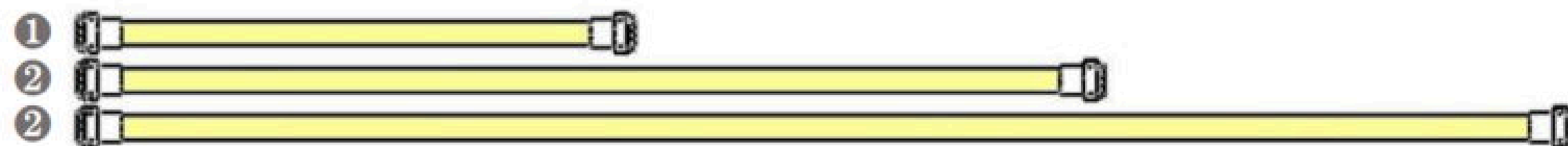
Decorated light

- Model No.: MS30-SA1
- Color: White Black
- Input Voltage: 48V
- Wattage: 4W
- Beam Angle: 80°
- CCT: 3000K 4000K 5000K
- Ra: >90
- Dimension: 48*35*63mm



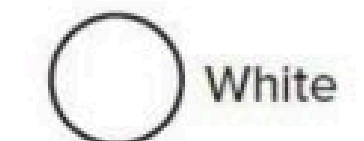
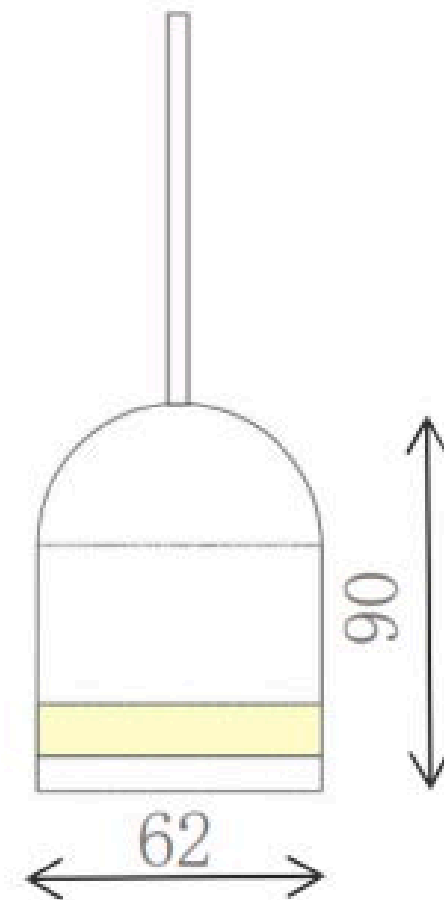
FLEXIBLE TUBE MODULE

- Model No. : MS30-FT500 / MS30-FT1000 / MS30-FT1500
- Color: White Black
- Input Voltage: 48V
- Wattage: 7W/14W/21W
- Beam Angle: 360°
- CCT: 3000K 4000K 5000K
- Ra: >90
- Dimension: \varnothing 22*500mm/ \varnothing 22*1000mm/ \varnothing 22*1500mm



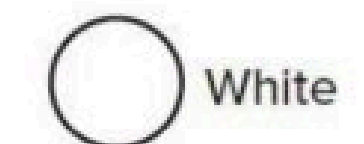
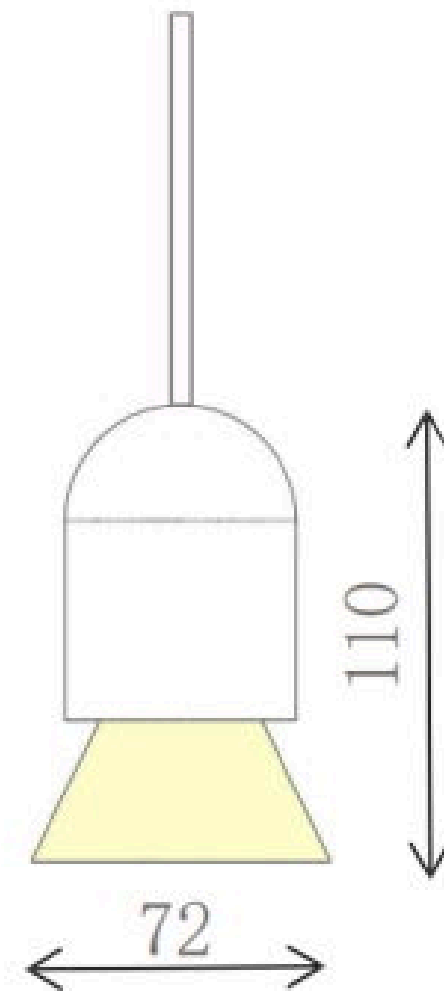
HANGING LIGHT MODULE

- Model No. : MS30-HS7W
- Color: White Black
- Input Voltage: 48V
- Wattage: 7W
- Beam Angle: 24°
- CCT: 3000K 4000K 5000K
- Ra: >90
- Dimension: \varnothing 62*90mm



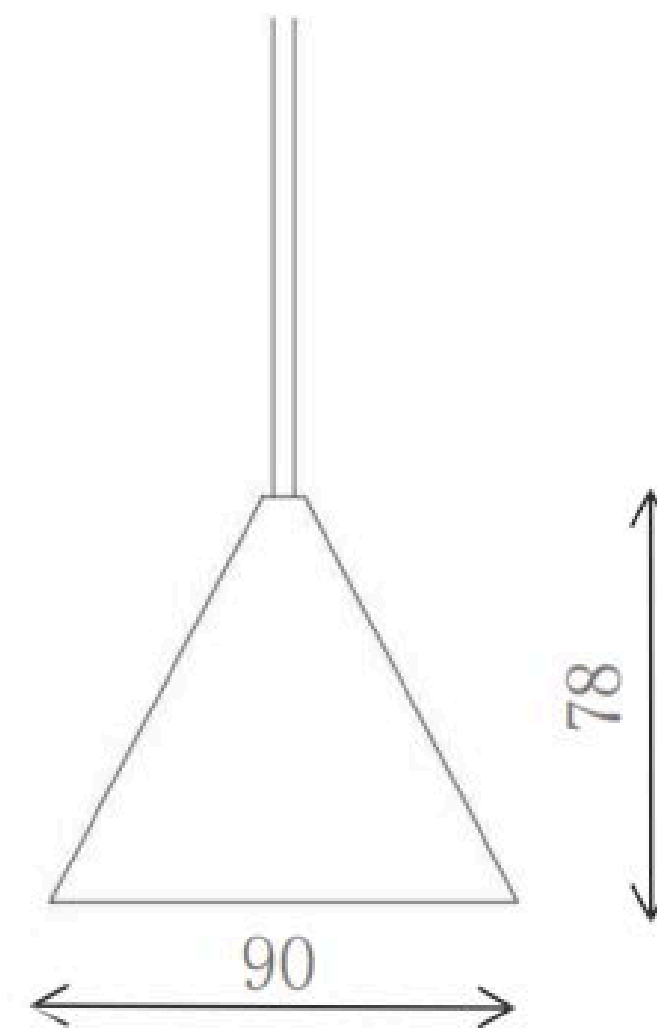
HANGING LIGHT MODULE

- Model No. : MS30-HC7W
- Color: White Black
- Input Voltage: 48V
- Wattage: 7W
- Beam Angle: 24°
- CCT: 3000K 4000K 5000K
- Ra: >90
- Dimension: \varnothing 72*110mm



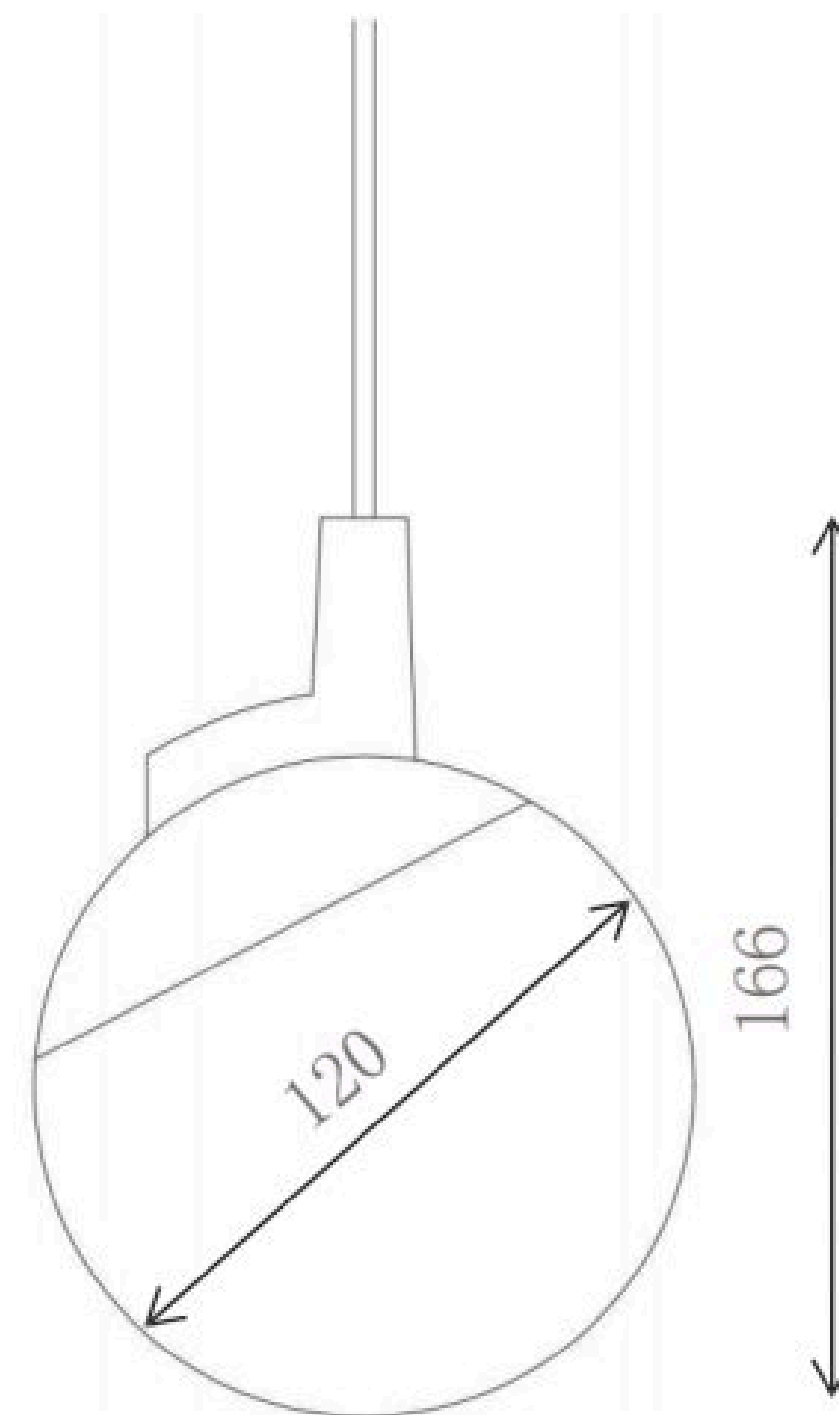
HANGING LIGHT MODULE

- Model No. : MS30-HZ7W
- Color: White Black
- Input Voltage: 48V
- Wattage: 7W
- Beam Angle: 24°
- CCT: 3000K 4000K 5000K
- Ra: >90
- Dimension: \varnothing 90*78mm

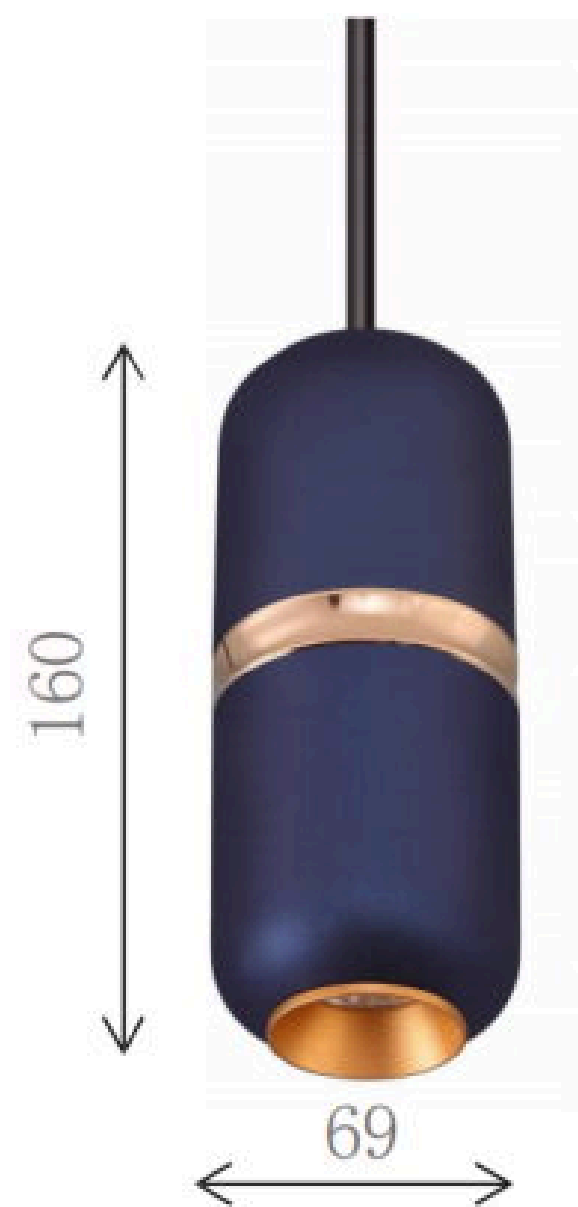


HANGING LIGHT MODULE

- Model No. : MS30-HR7W
- Color: White Black
- Input Voltage: 48V
- Wattage: 7W
- Beam Angle: 180°
- CCT: 3000K 4000K 5000K
- Ra: >90
- Dimension: $\varnothing 120 \times 166 \text{mm}$



HANGING LIGHT MODULE



- Model No.: MS30-PD006
- Input Voltage: 48V
- Wattage: 7W
- Beam Angle: 30°
- CCT: 3000K 4000K 5000K
- Ra: >90
- Dimension: \varnothing 69*160mm



- Model No.: MS30-PD007
- Input Voltage: 48V
- Wattage: 7W
- Beam Angle: 20°
- CCT: 3000K 4000K 5000K
- Ra: >90
- Dimension: \varnothing 82*80mm



- Model No.: MS30-PD008
- Input Voltage: 48V
- Wattage: 7W
- Beam Angle: 60°
- CCT: 3000K 4000K 5000K
- Ra: >90
- Dimension: \varnothing 90*75mm



- Model No.: MS30-PD009
- Input Voltage: 48V
- Wattage: 7W
- Beam Angle: 20°
- CCT: 3000K 4000K 5000K
- Ra: >90
- Dimension: \varnothing 95*120mm



- Model No.: MS30-PD010
- Input Voltage: 48V
- Wattage: 7W
- Beam Angle: 20°
- CCT: 3000K 4000K 5000K
- Ra: >90
- Dimension: \varnothing 60*105mm