



**BELT 30**  
SERIES

# BELT 30 SERIES

VERSATILE LIGHTING SYSTEM

Taking the concept of the light rail to a new level  
It allows free placement of the luminaires and the  
creation of unique lighting solutions

Simple and progressive, merges the design of  
a belt with a groundbreaking lighting concept.  
Featuring a textural, fabric belt that conducts  
electricity, it enables light to flow in space.





# farnotte

IL DESIGN ITALIANO  
PER L'ILLUMINAZIONE



## POWER SUPPLY INSTALLATION DEMONSTRATION

The belt flows in and out of the canopy, establishing conductivity and electrical connection where needed.



## FIXED CYLINDER AND FIXED RING-RECESSED INSTALLATION DEMONSTRATION

cylinder bracket fix on the ceiling to hold the belt or as a feeder, recessed ring fixed on the ceiling to hold the belt or as a feeder.

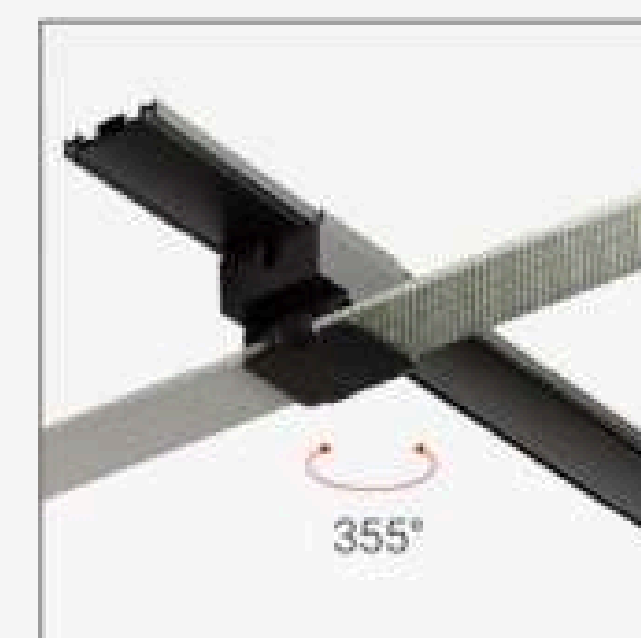
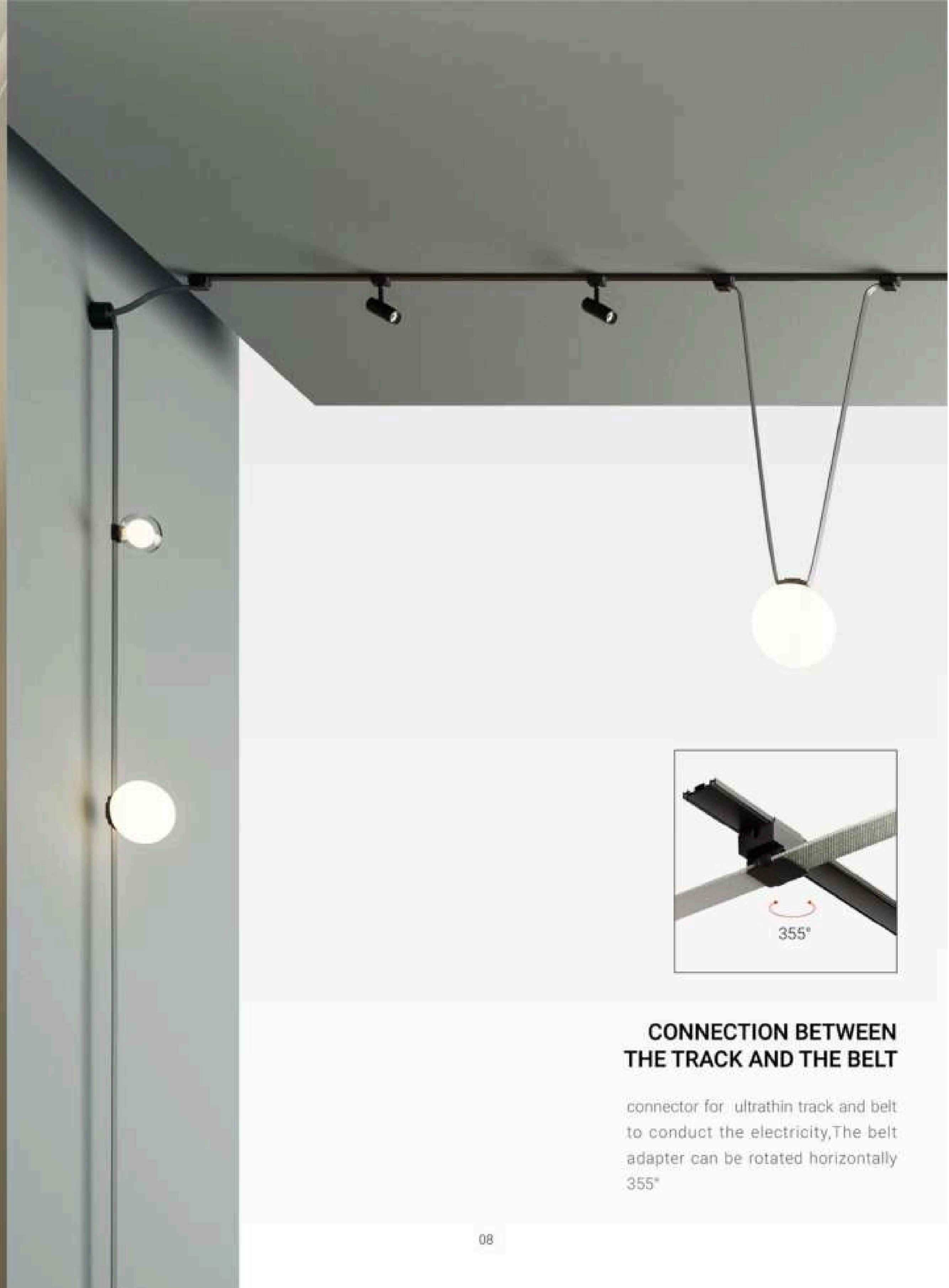


# farnotte

IL DESIGN ITALIANO  
PER L'ILLUMINAZIONE

## MULTIPLE COLORS AVAILABLE

There are five colors to choose from for the belt:  
**Brick red, dark blue, beige, light green, black.**  
According to the different application, create your  
own unique style



## CONNECTION BETWEEN THE TRACK AND THE BELT

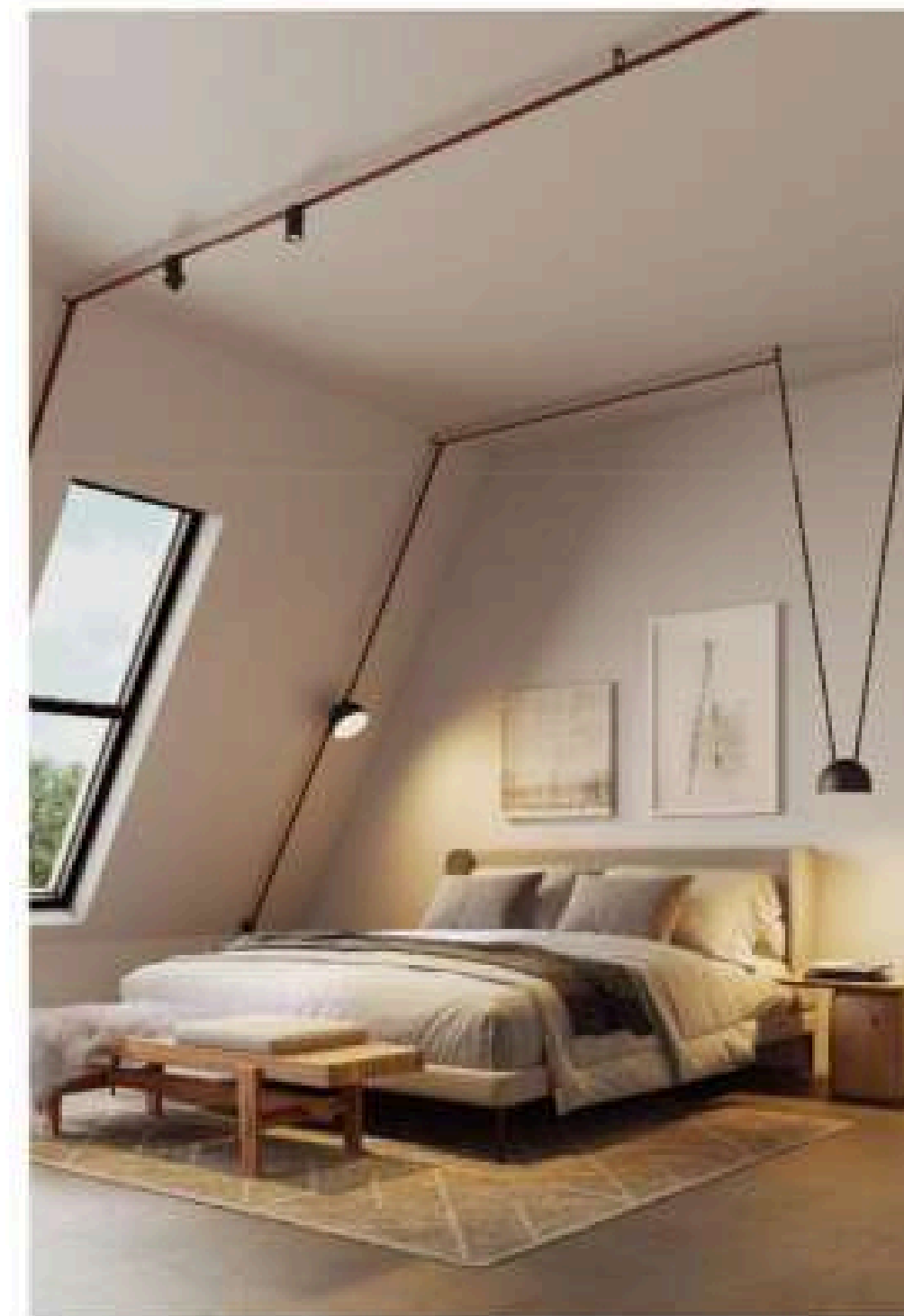
connector for ultrathin track and belt  
to conduct the electricity, The belt  
adapter can be rotated horizontally  
355°

Rich colors can be freely combined to suit different scenes.  
The lamps of several colors collide and interweave in the light  
and shadow, making every corner a visual focus.

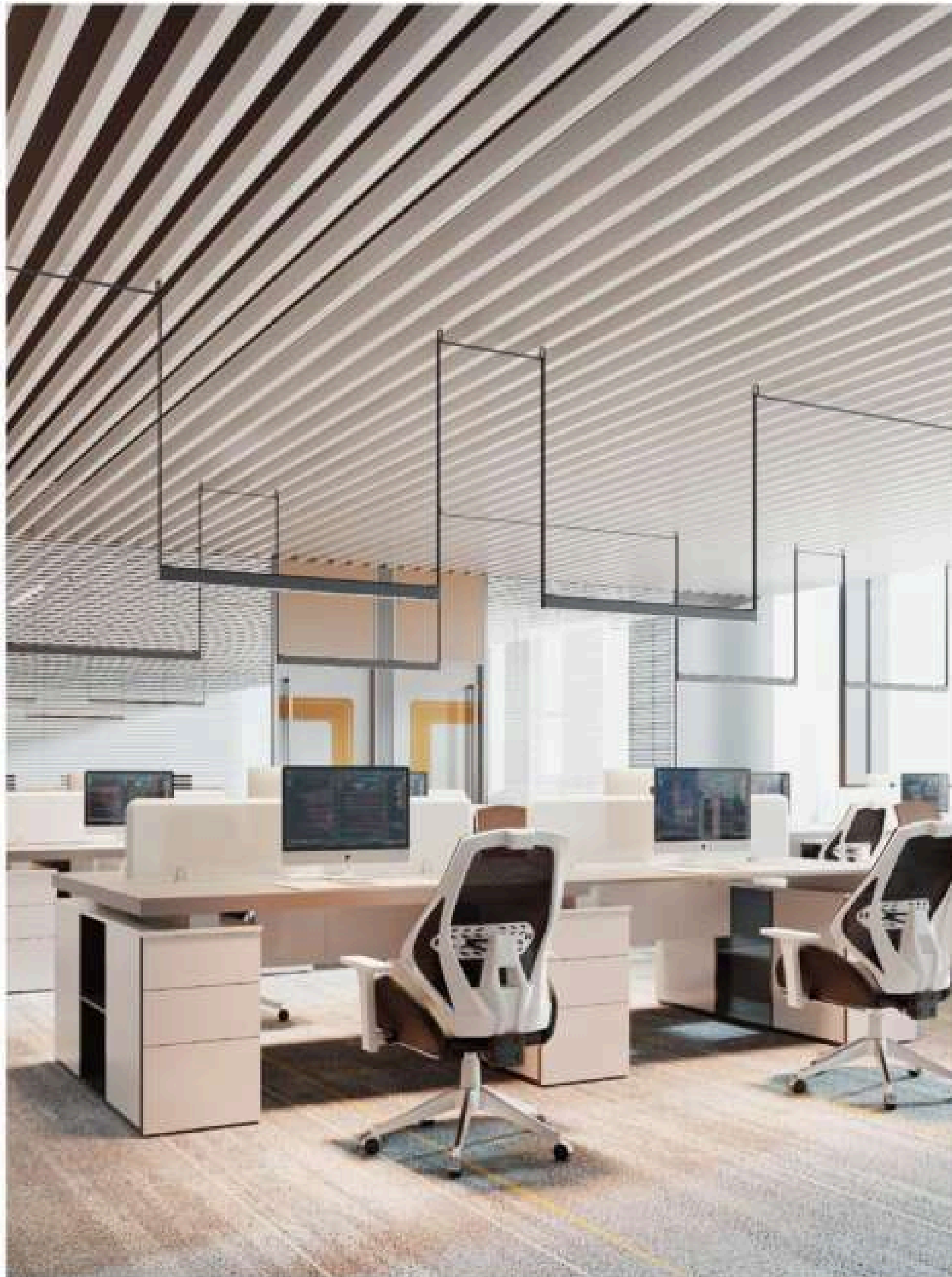


## HOME DECORATION SCENE

Suitable for home decoration scenarios such as living room, study, and dining table at home.



Both object of beauty and high-performance lighting toolkit, offers personalised atmospheres while doubling as striking visual sculpture.

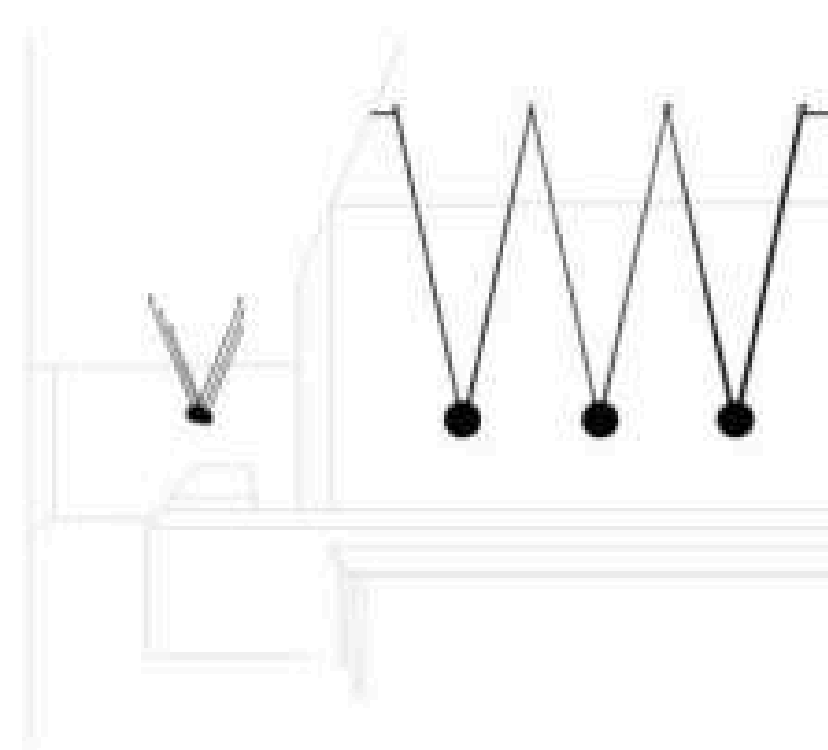
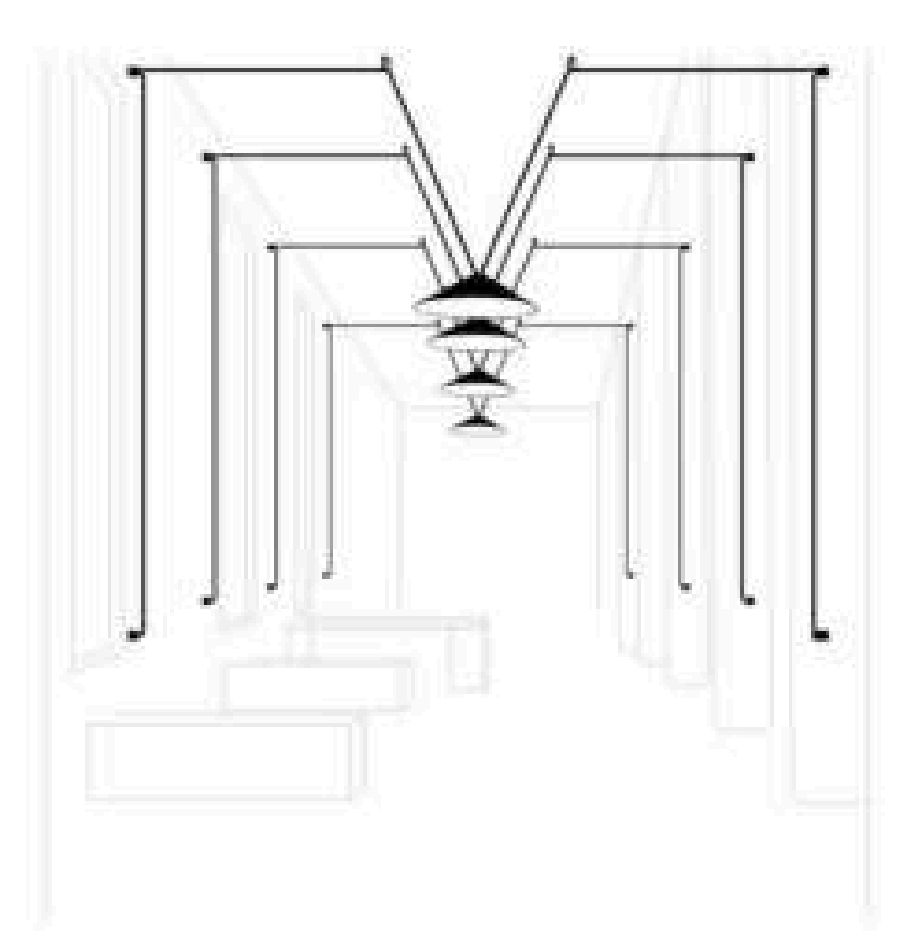
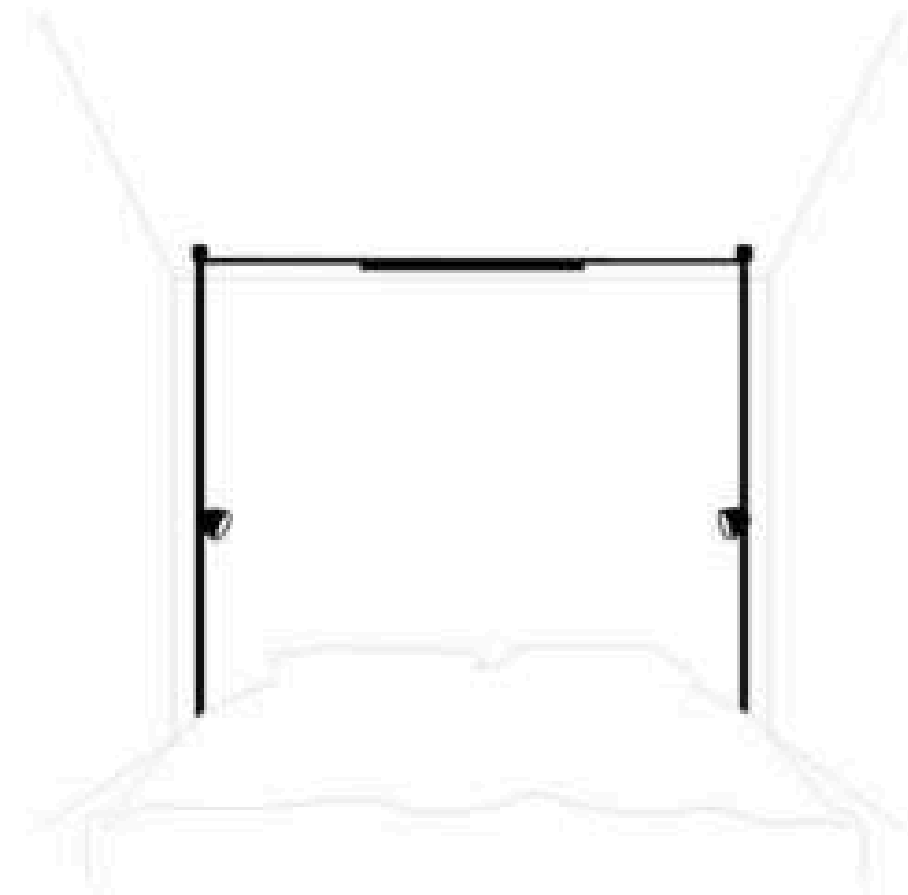
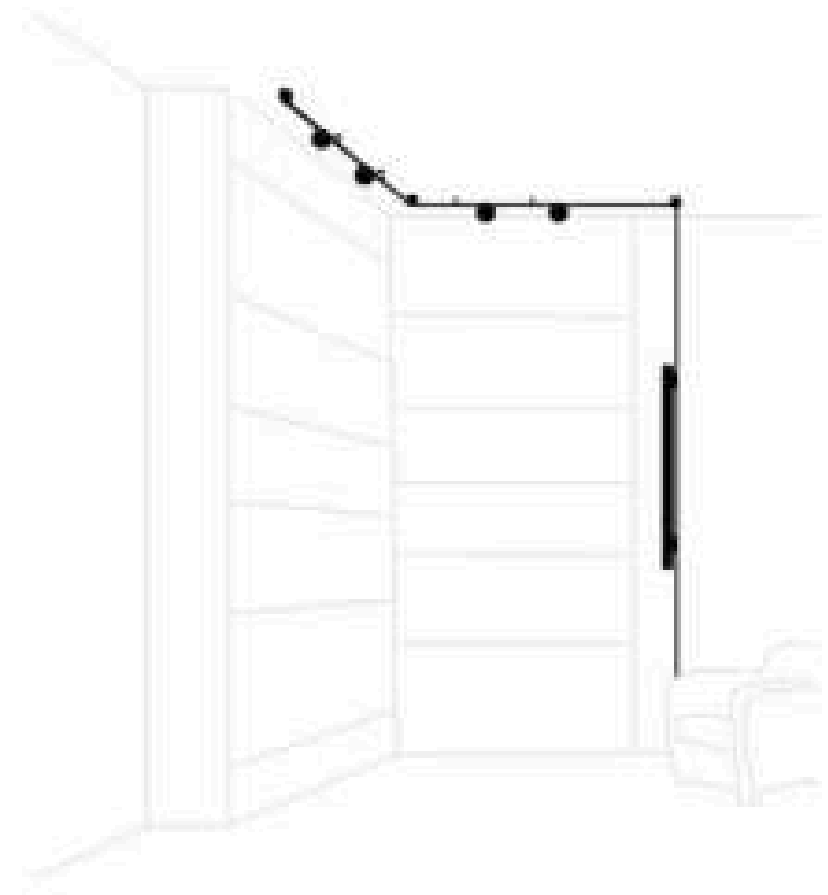


## WORKWEAR SCENARIO

Suitable for workwear scenarios such as restaurants, bars, and front desk.



## A VARIETY OF MODELING LINE DRAWINGS



## EASY CONNECTION

Each belt, which can be cut as needed, accommodates multiple luminaires and operates with simple plug-in technology for unparalleled ease of installation and connection. The belt offers adjustments in tension from taut to relaxed as well as click-and-connect functionality, snapping into a buckle attached to each luminaire.

## THERE ARE THREE WAYS TO CONNECT THE POWER SUPPLY

Single outlet

Dual outgoing wires are  
connected downward

Double outlet

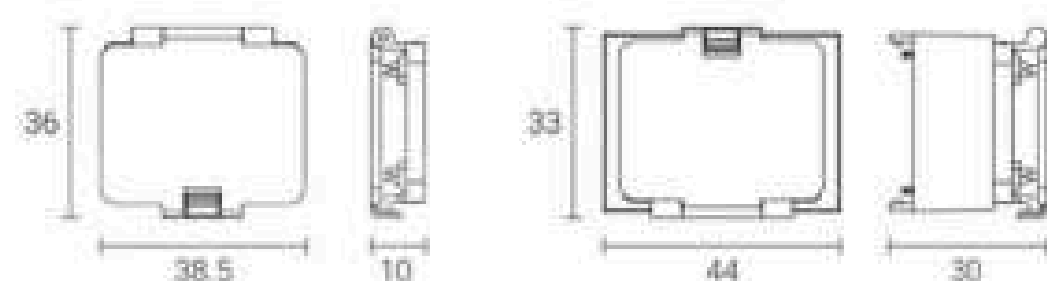




## CONDUCTIVE MODULE

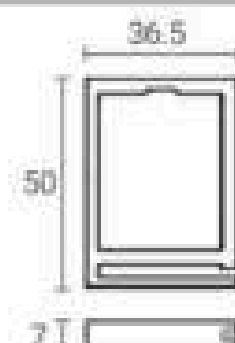
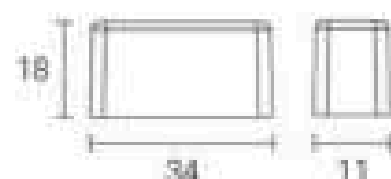
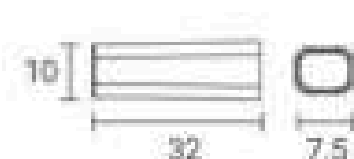
<b>Model NO.</b>	BT30-10M/BT-20M/BT30-30M	BT30-AD1	BT30-AD2
<b>Product Name</b>	BELT	Adapter	Adapter
<b>Material</b>	Copper & Fabric (Terylene)	PC	PC
<b>Size</b>	28.5*2.8mm	38.5*36*10.5mm	44*33*30mm
<b>Description</b>	Voltage DC48V Copper Size:1.36mm <sup>2</sup> *2 Flexible cutting 10meters/Roll 20meters/Roll 30meters/Roll	transform the lights in ultrathin series to fix proper on the belt	connector for ultrathin track and belt to conduct the electricity

Dimensions(mm)



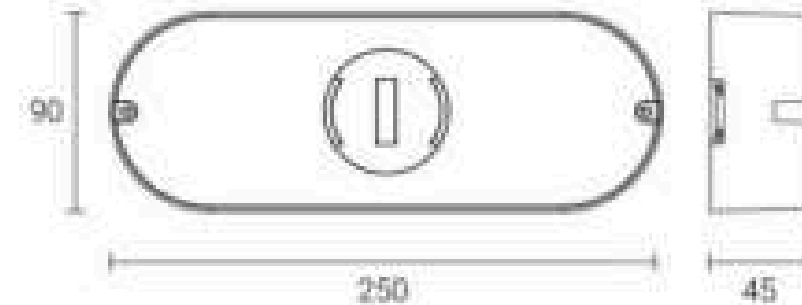
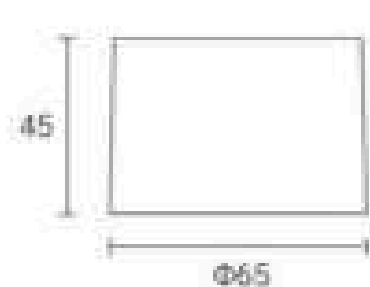
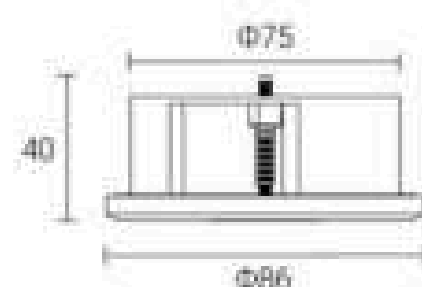
<b>Model NO.</b>	BT30-CAP1	BT30-CAP2	BT30-F01
<b>Product Name</b>	End cap	End cap	Fixed Bracket
<b>Material</b>	PC	PC	PC
<b>Size</b>	32*10*7.5mm	34*18*11mm	50*36.5*7mm
<b>Description</b>	end cap for single belt	end cap for double belt	bracket fix on the ceiling to hold the belt

Dimensions(mm)



<b>Model NO.</b>	BT30-F04	BT30-F02	BT30-H06-SP	BT30-SP100/BT30-SP200
<b>Product Name</b>	Fixed Ring-Recessed	Fixed Cylinder	Housing for Power Supply	Power Supply
<b>Material</b>	PC	PC	PC	PC
<b>Size</b>	Φ66*40mm	Φ65*45mm	250*90*45mm	154*80*25mm
<b>Description</b>	recessed ring fixed on the ceiling to hold the belt or as a feeder; Cut out size:Φ75mm	cylinder bracket fix on the ceiling to hold the belt or as a feeder	The power supply can be put inside this casing and installed surface on the ceiling	Power:100w/200w Input Voltage:220Vac Output Voltage:DC48V Current:2.1A/4.2A

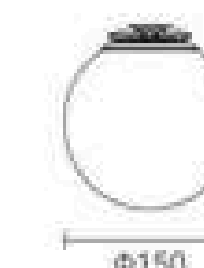
Dimensions(mm)



## PRODUCT INFORMATION

<b>Model NO.</b>	BT30-HB200	BT30-HB150	BT30-G100
<b>Power</b>	7W	7W	4W
<b>CCT</b>	3000K/4000K/5000K	3000K/4000K/5000K	3000K/4000K/5000K
<b>Voltage</b>	DC48V	DC48V	DC48V
<b>CRI</b>	>90	>90	>90
<b>Beam Angle</b>	320°	250°	110°
<b>Material</b>	Aluminum+Glass	Aluminum+Glass	Aluminum+Glass
<b>Color</b>	Black	Black	Black
<b>Life</b>	30 000H	30 000H	30 000H
<b>Warranty</b>	3 Years	3 Years	3 Years

Dimensions(mm)



<b>Model NO.</b>	BT30-HR200	BT30-HT350	BT30-HT600
<b>Power</b>	12W	12W	20W
<b>CCT</b>	3000K/4000K/5000K	3000K/4000K/5000K	3000K/4000K/5000K
<b>Voltage</b>	DC48V	DC48V	DC48V
<b>CRI</b>	>90	>90	>90
<b>Beam Angle</b>	90°	120°	24°
<b>Material</b>	Aluminum	Aluminum	Aluminum
<b>Color</b>	Black	Black	Black
<b>Life</b>	30 000H	30 000H	30 000H
<b>Warranty</b>	3 Years	3 Years	3 Years

Dimensions(mm)

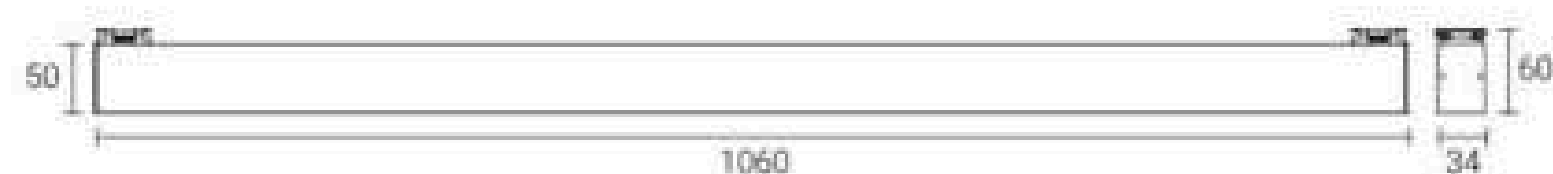


PRODUCT INFORMATION



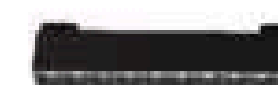
Model NO.	BT30-LB40
Power	40W
CCT	3000K/4000K/5000K
Voltage	DC48V
CRI	>90
Beam Angle	30°
Material	Aluminum
Color	Black
Life	30 000H
Warranty	3 Years

Dimensions(mm)



Model NO.	BT30-DF1060
Power	48W
CCT	3000K/4000K/5000K
Voltage	DC48V
CRI	>90
Beam Angle	105°
Material	Aluminum
Color	Black
Life	30 000H
Warranty	3 Years

Dimensions(mm)



Model NO.	BT30-LB10	BT30-LB20
Power	10W	20W
CCT	3000K/4000K/5000K	3000K/4000K/5000K
Voltage	DC48V	DC48V
CRI	>90	>90
Beam Angle	30°	30°
Material	Aluminum	Aluminum
Color	Black	Black
Life	30 000H	30 000H
Warranty	3 Years	3 Years

Dimensions(mm)



Model NO.	BT30-DF265	BT30-DF530
Power	12W	24W
CCT	3000K/4000K/5000K	3000K/4000K/5000K
Voltage	DC48V	DC48V
CRI	>90	>90
Beam Angle	105°	105°
Material	Aluminum	Aluminum
Color	Black	Black
Life	30 000H	30 000H
Warranty	3 Years	3 Years

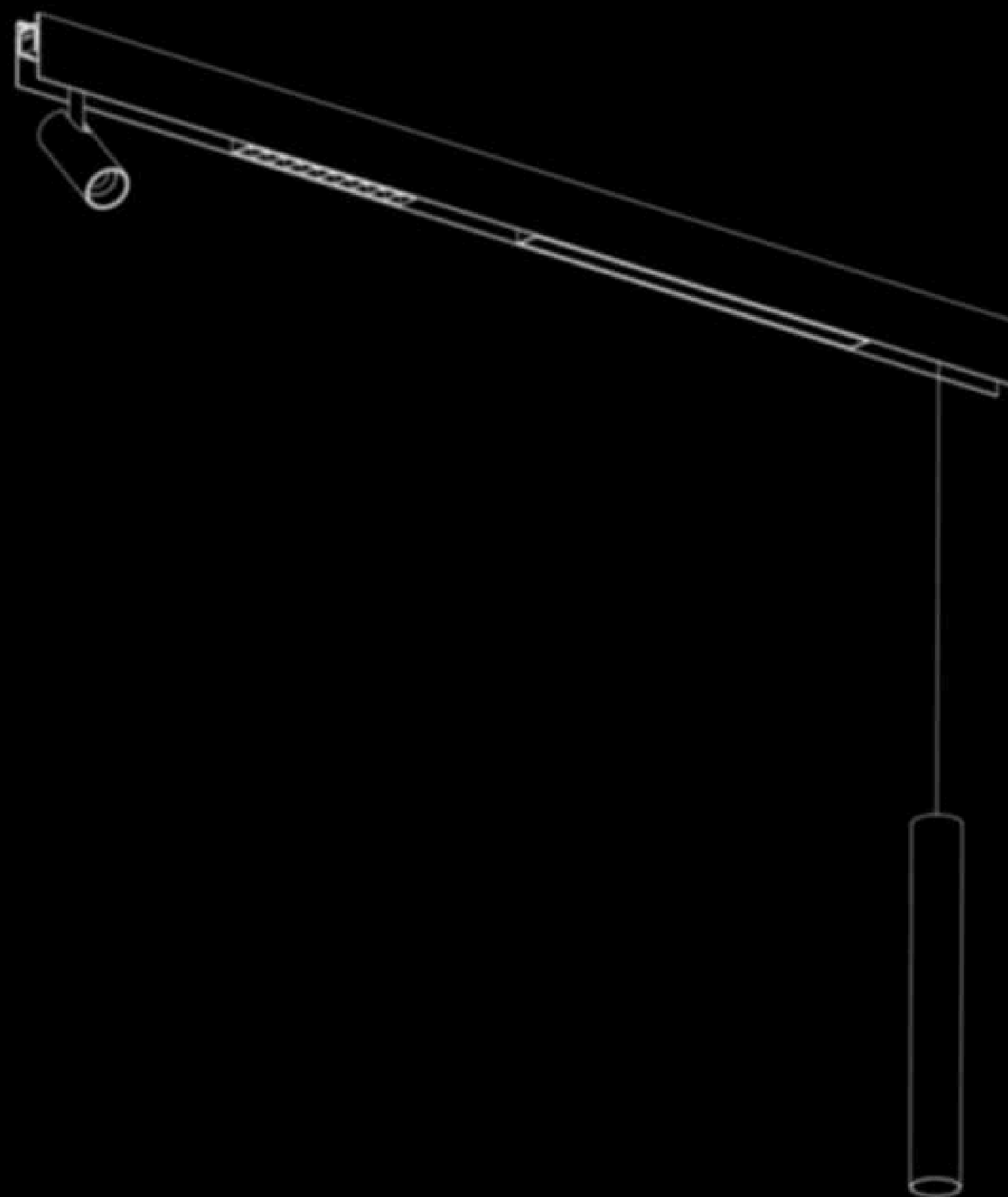
Dimensions(mm)



# 25

**farnotte**

IL DESIGN ITALIANO  
PER L'ILLUMINAZIONE



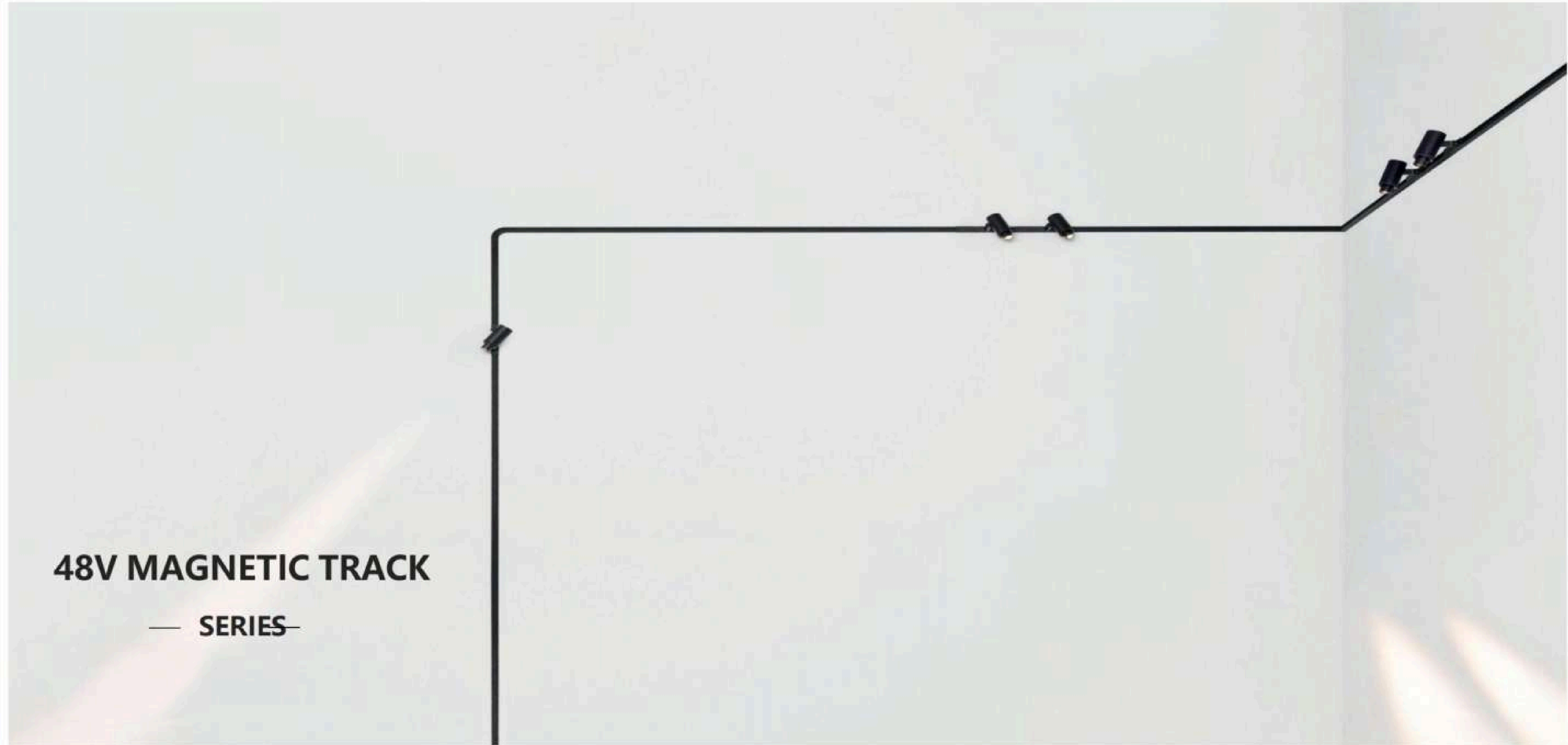
LIGHTING TECHNOLOGY CO.,LTD

**farnotte**

IL DESIGN ITALIANO  
PER L'ILLUMINAZIONE

**48V MAGNETIC TRACK**

— SERIES —



## INPUT MODULE



### Line colors



### In put

+DC48V

-DC48V

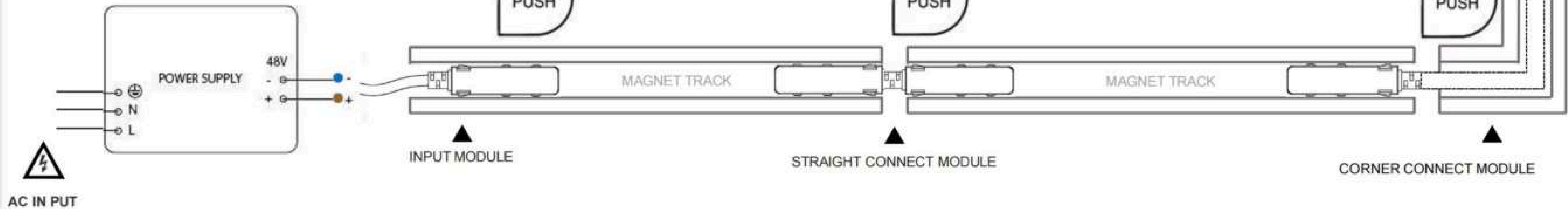
+0-10V/+DALI

-0-10V/-DALI

## STRAIGHT CONNECT MODULE

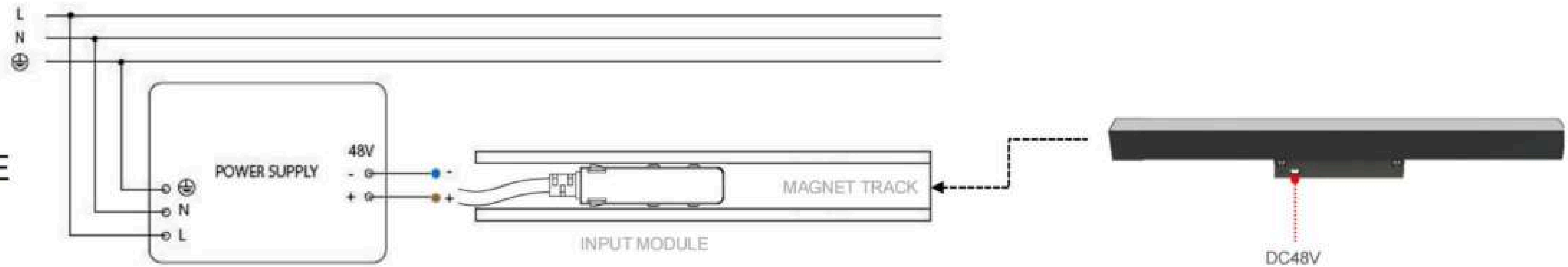


## CORNER CONNECT MODULE

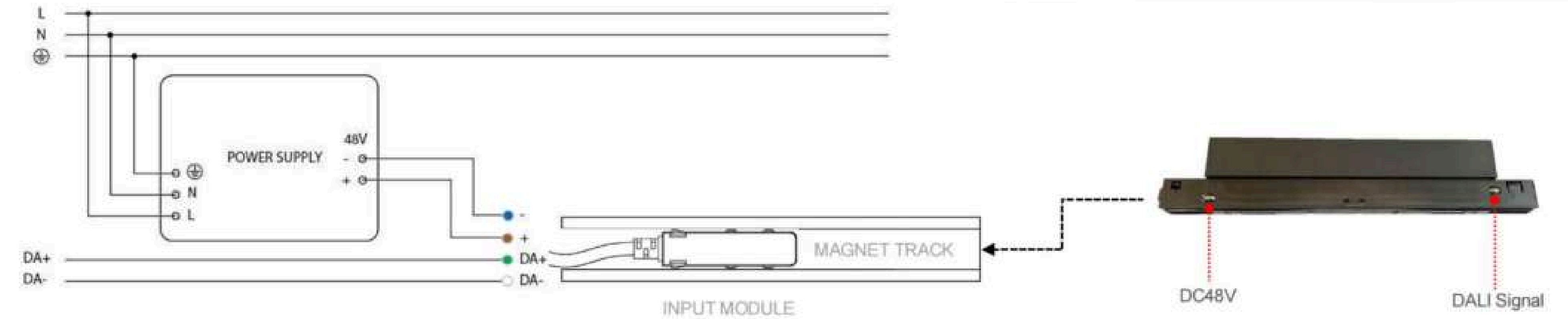


◆ REGULAR MODE

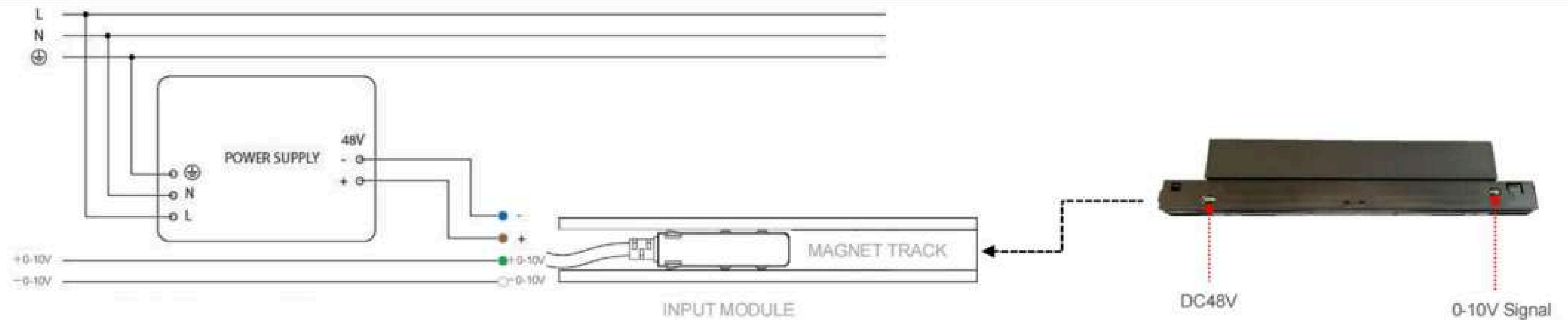
◆ BLUETOOTH MODE



◆ DALI CONTROL



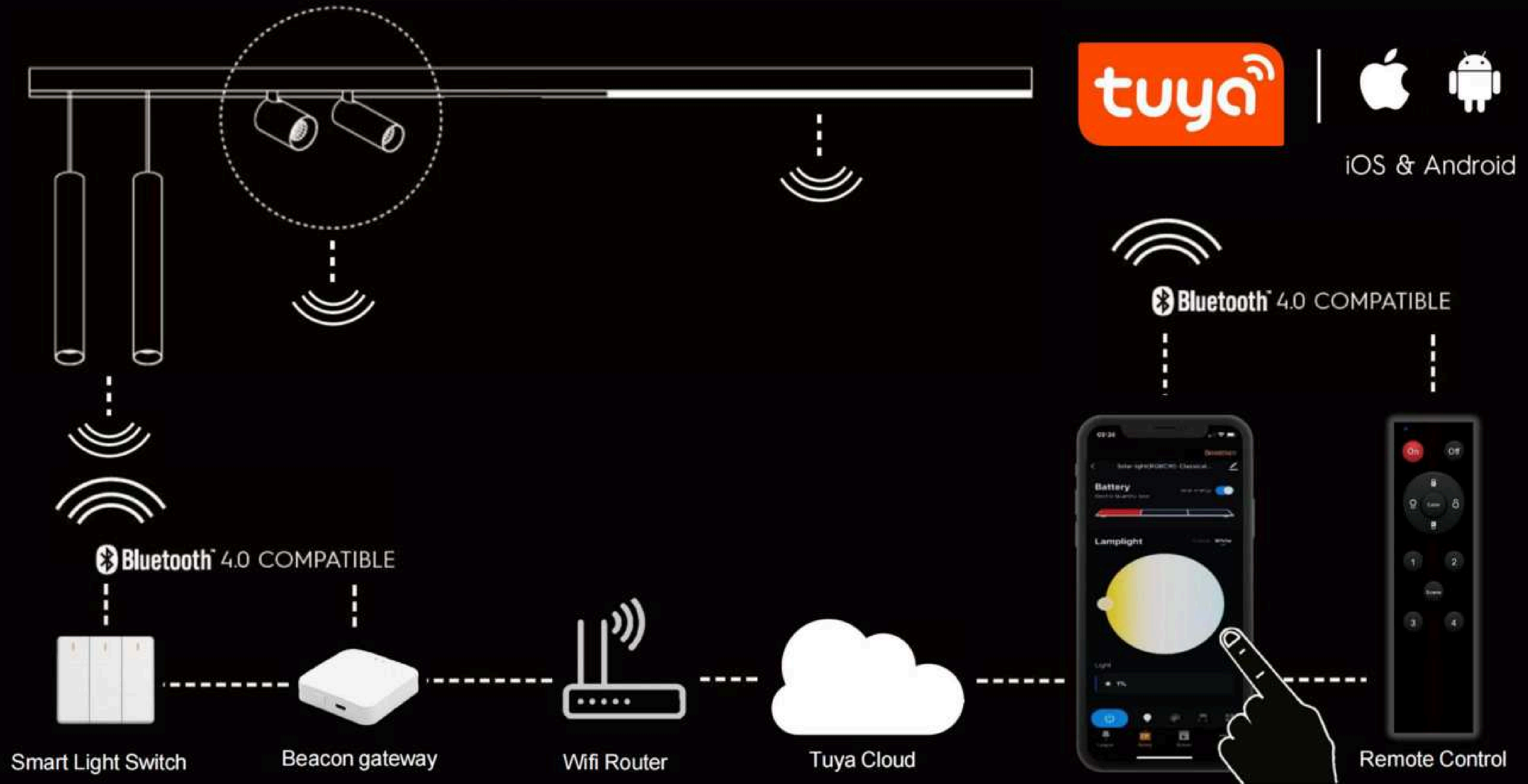
◆ 0-10V CONTROL



# farnotte

IL DESIGN ITALIANO  
PER L'ILLUMINAZIONE

SMART LIGHT SYSTEM



**farnotte**

IL DESIGN ITALIANO  
PER L'ILLUMINAZIONE

**M20**

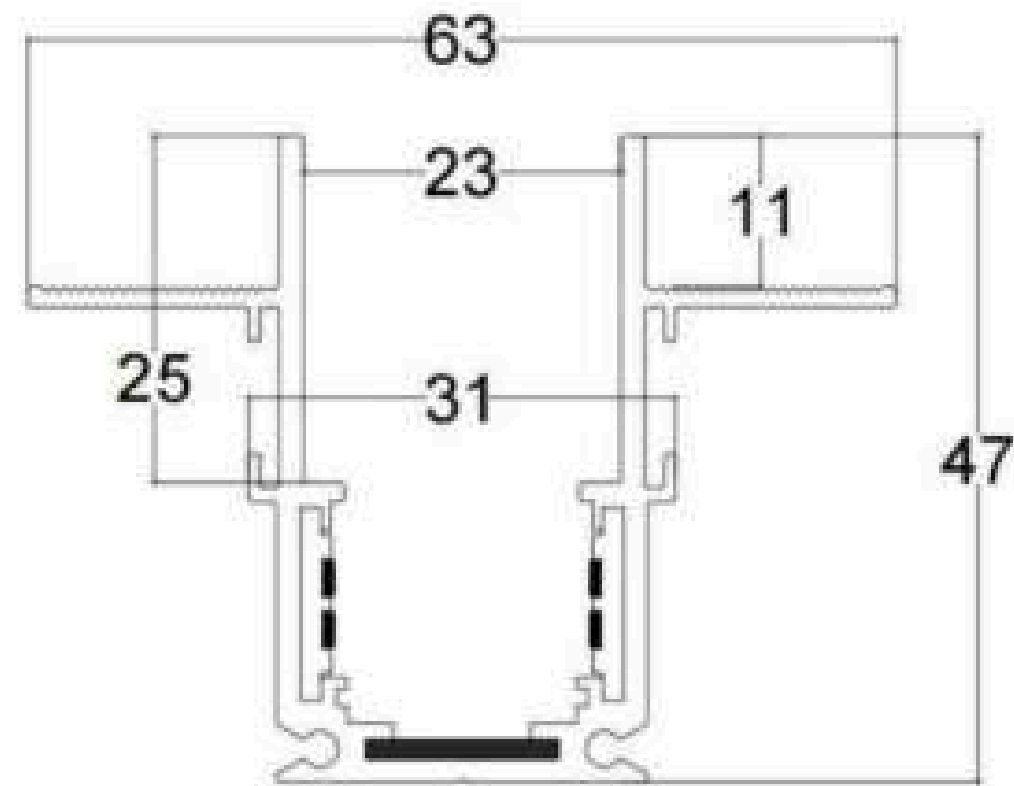
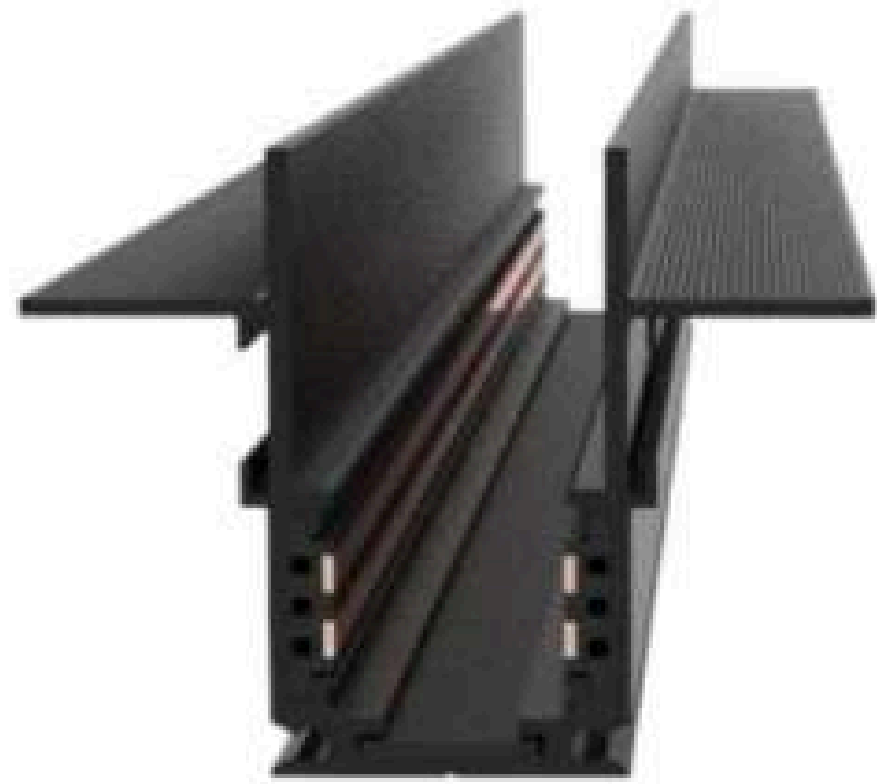
**HOME USE**

**48V MAGNETIC TRACK**

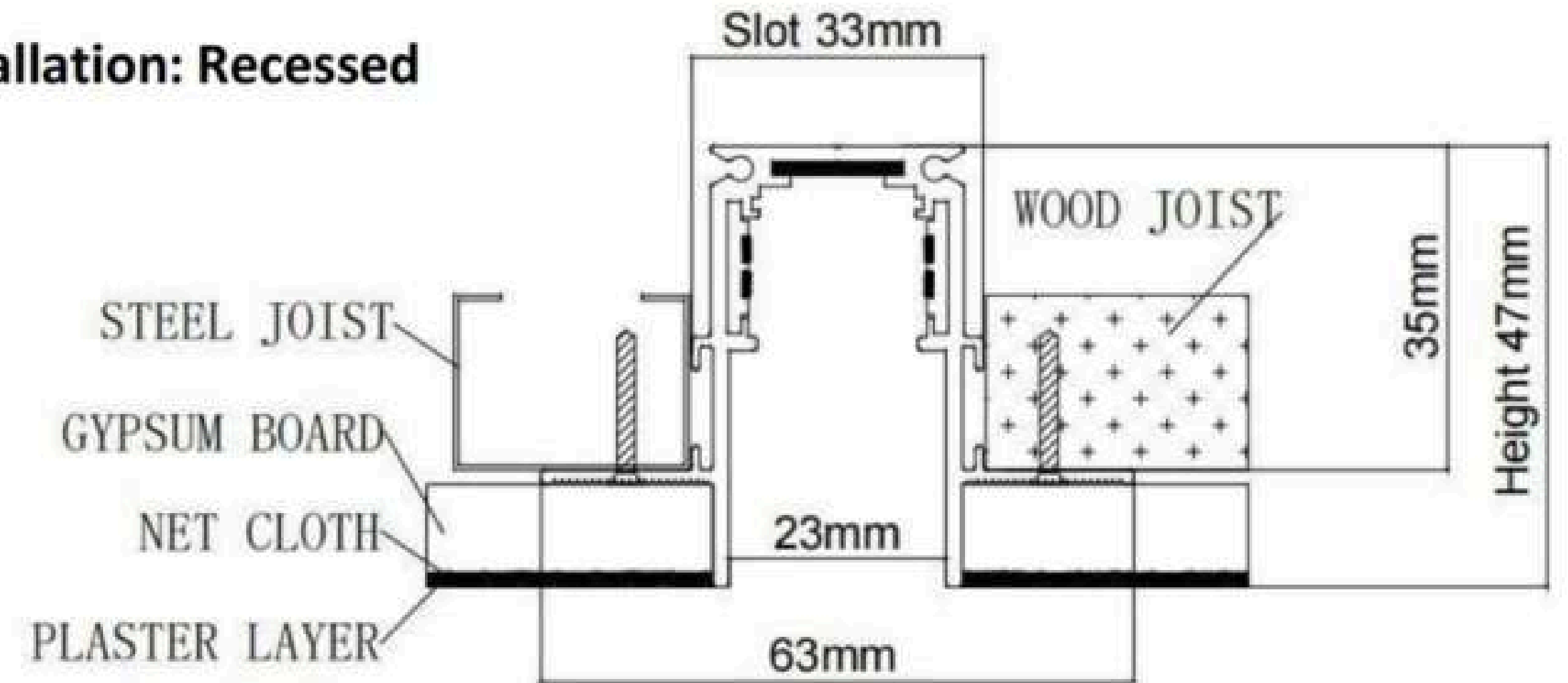
—SERIES—



## 20TRACK SERIE - TC20



### Installation: Recessed



### TC 20 Corners

Thickness

1.8mm

Weight

1.1kg

Standard Length

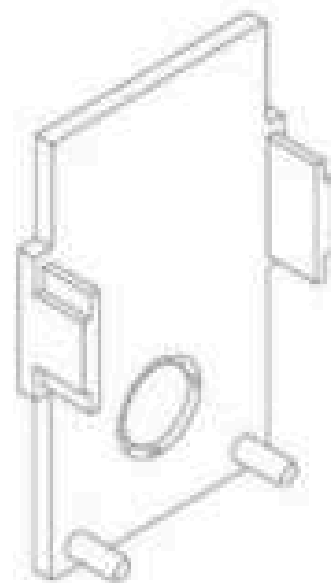
1000mm

1500mm

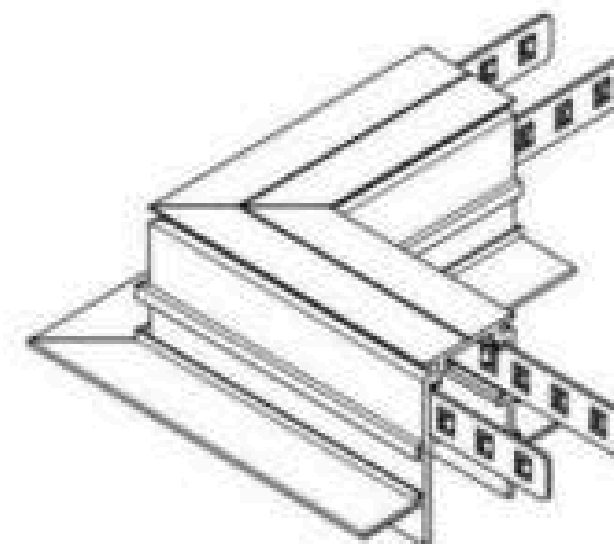
2000mm

3000mm

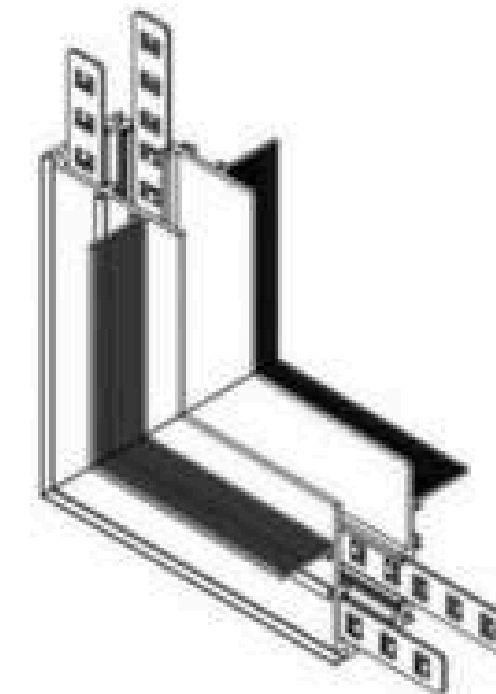
END CAPS



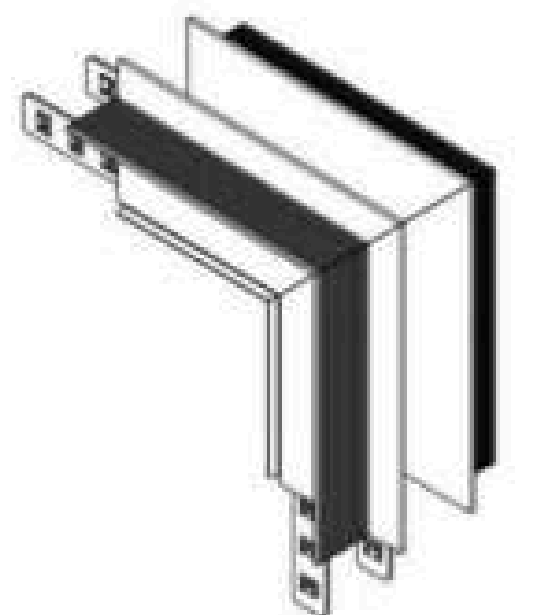
90° corner  
(C TOC)



90° corner IN  
(C TOW)



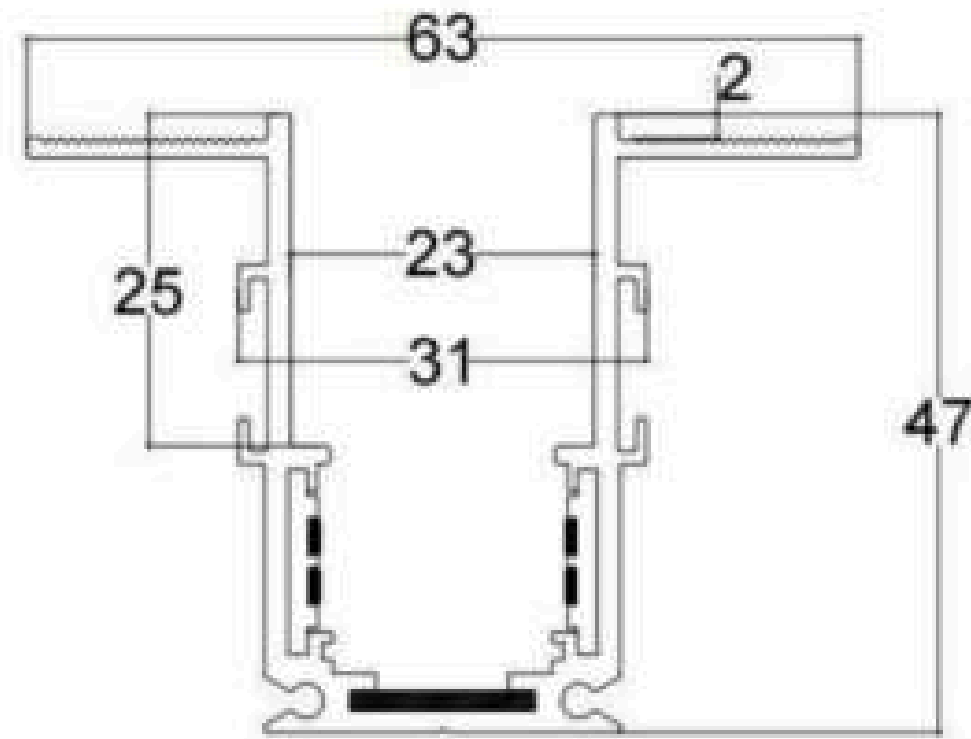
90° corner OUT  
(W TOW)



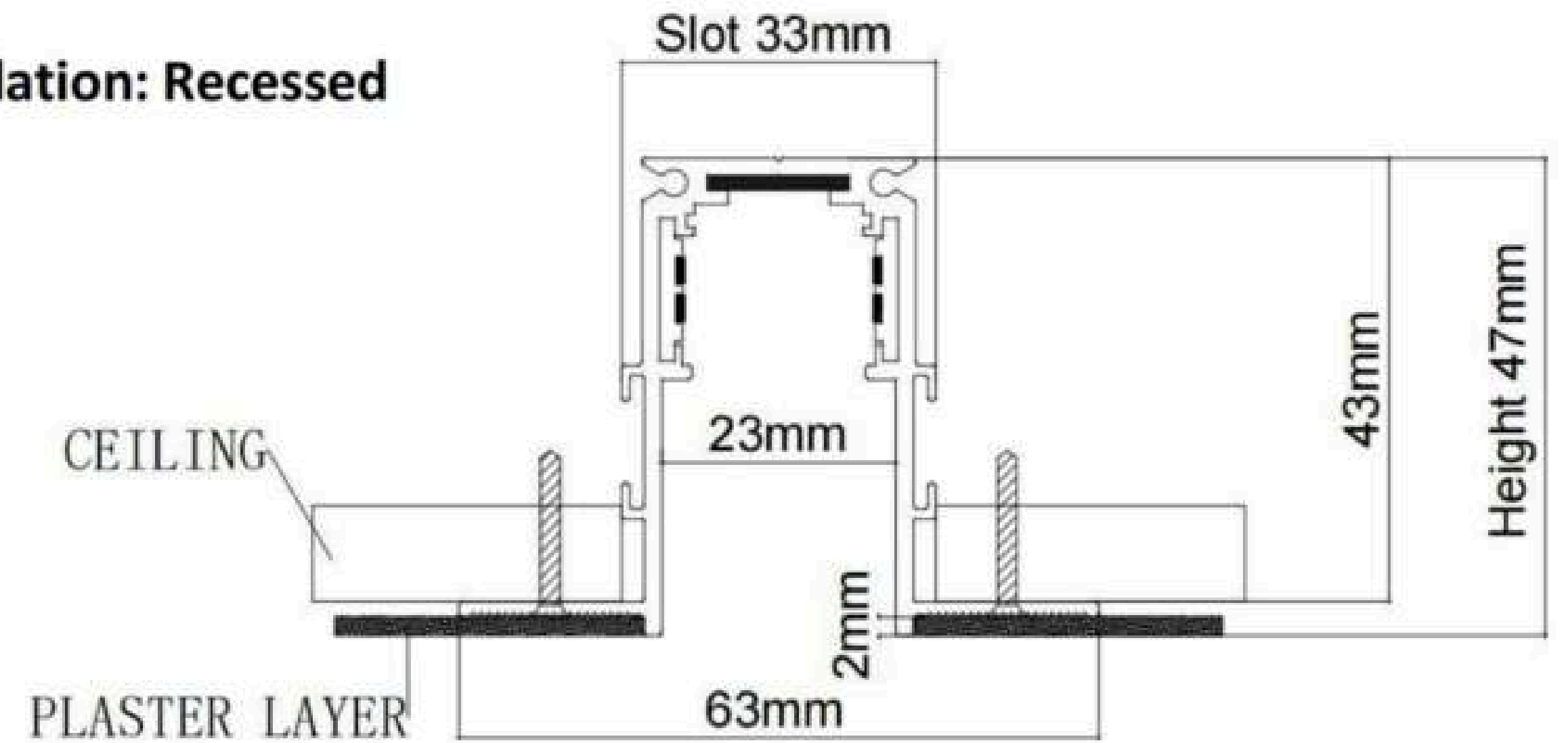
# farnotte

IL DESIGN ITALIANO  
PER L'ILLUMINAZIONE

## 20TRACK SERIE - TC20 L



Installation: Recessed



TC 20 L Corners

Thickness

1.8mm

Weight

1.1kg

Standard Length

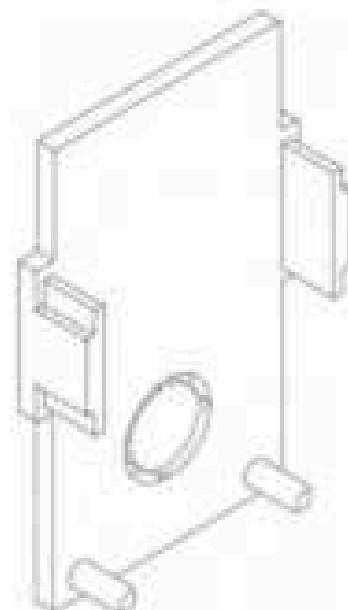
1000mm

1500mm

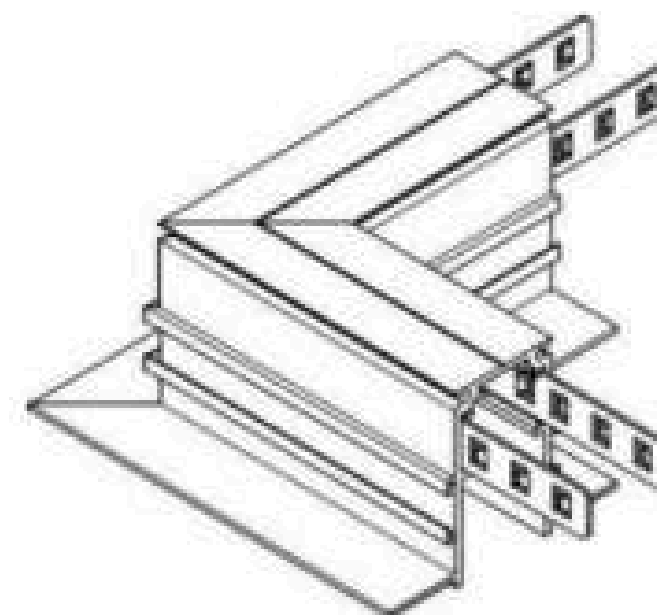
2000mm

3000mm

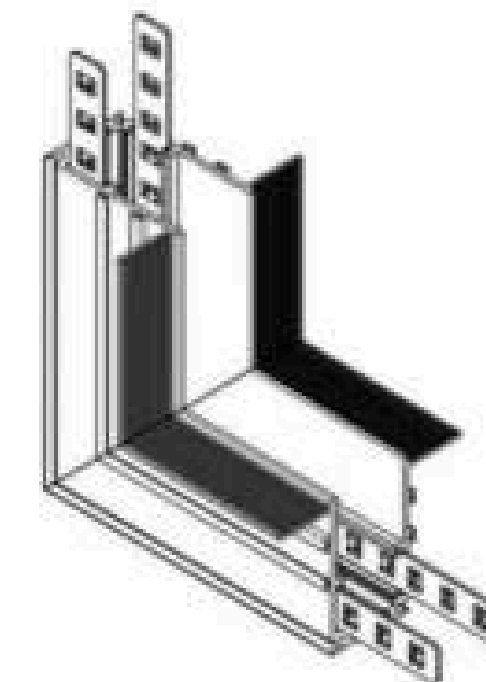
END CAPS



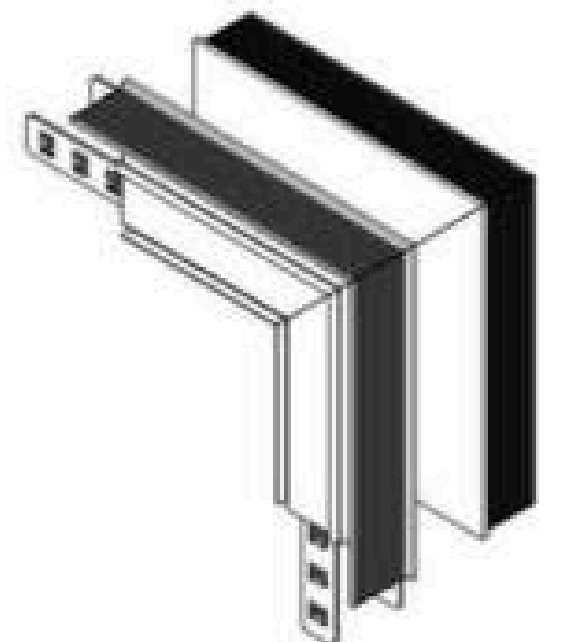
90° corner  
(C TOC)



90° corner IN  
(C TOW)



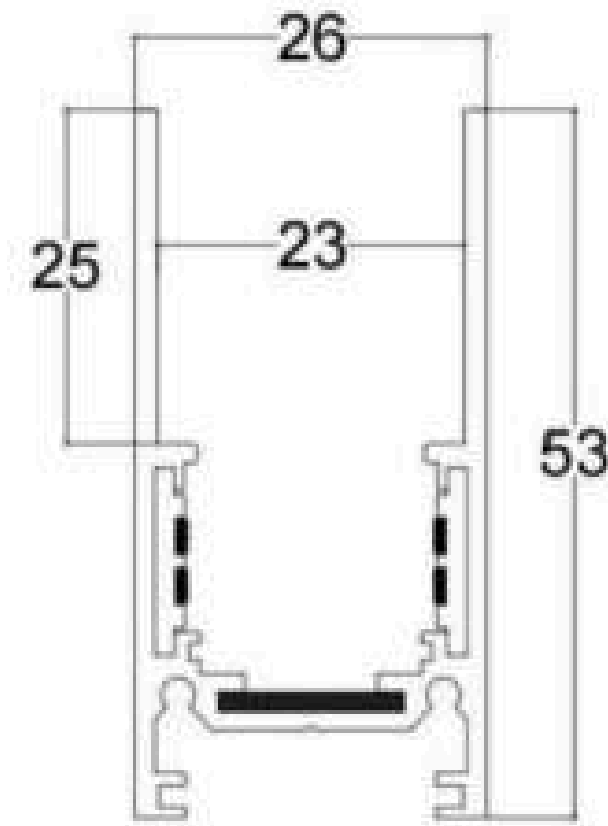
90° corner OUT  
(W TOW)



# farnotte

IL DESIGN ITALIANO  
PER L'ILLUMINAZIONE

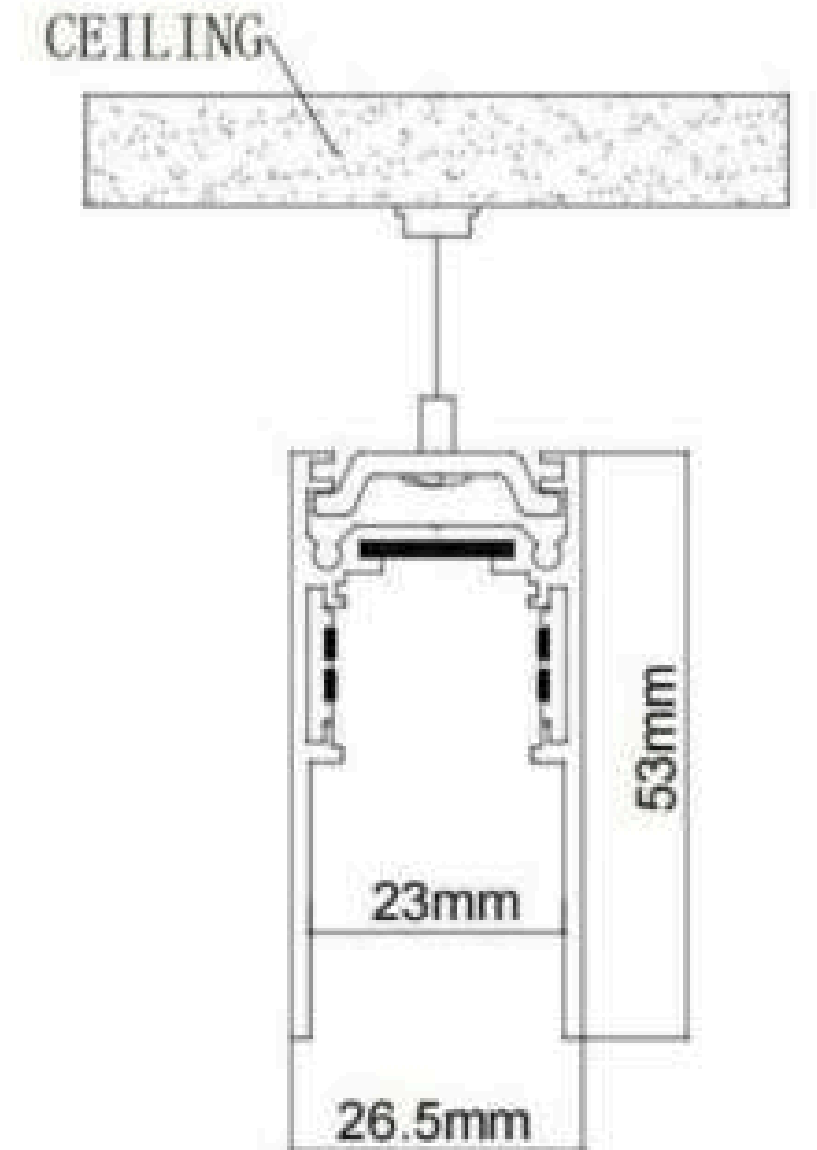
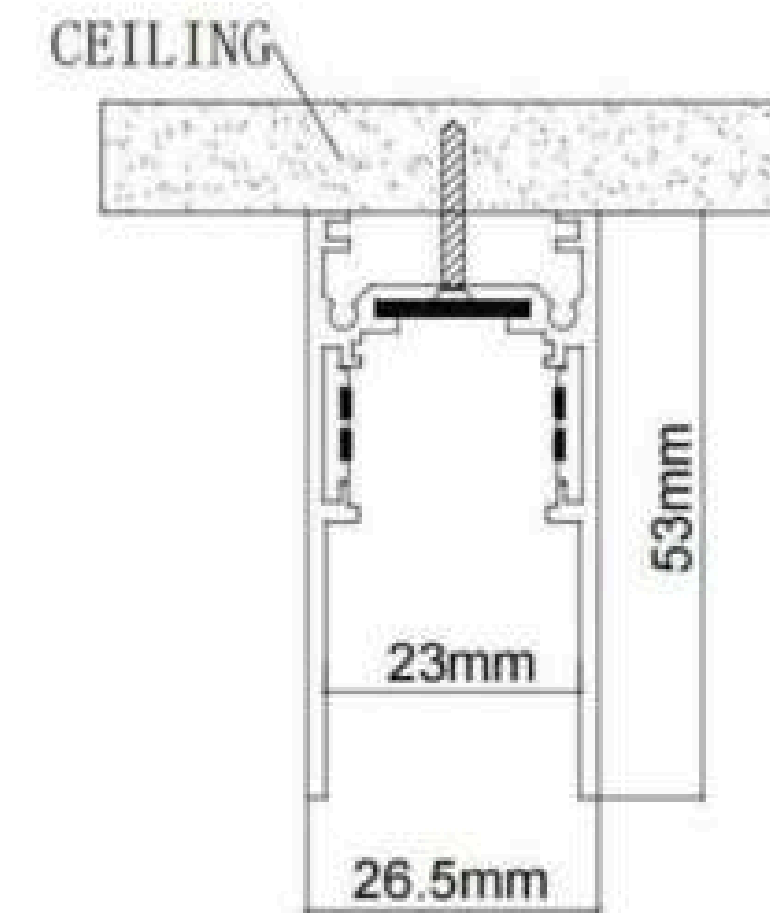
## 20TRACK SERIE - TH20



Installation:

SURFACE

SUSPENDED



TH 20 Corners

Thickness

1.8mm

Weight

0.9kg

Standard  
Length

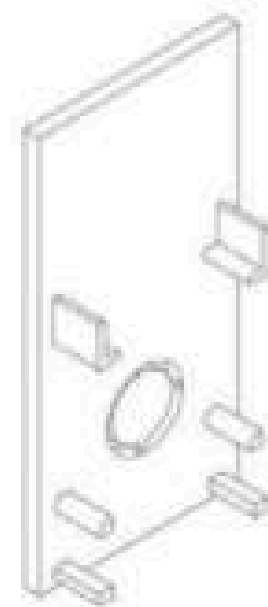
1000mm

1500mm

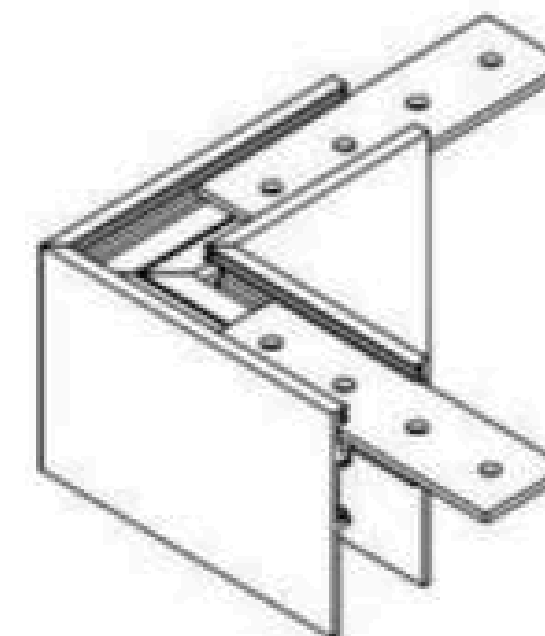
2000mm

3000mm

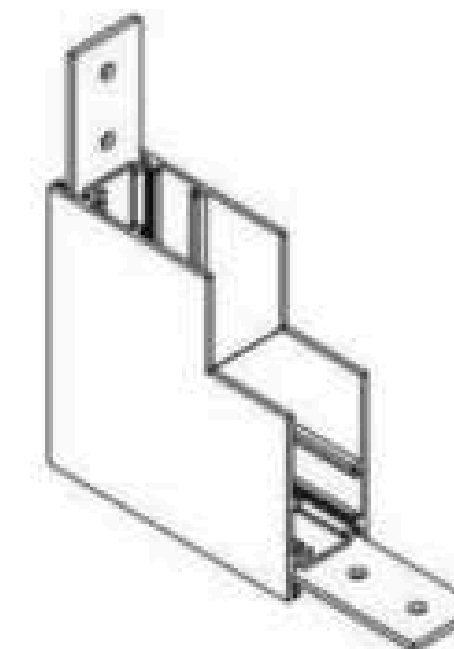
END CAPS



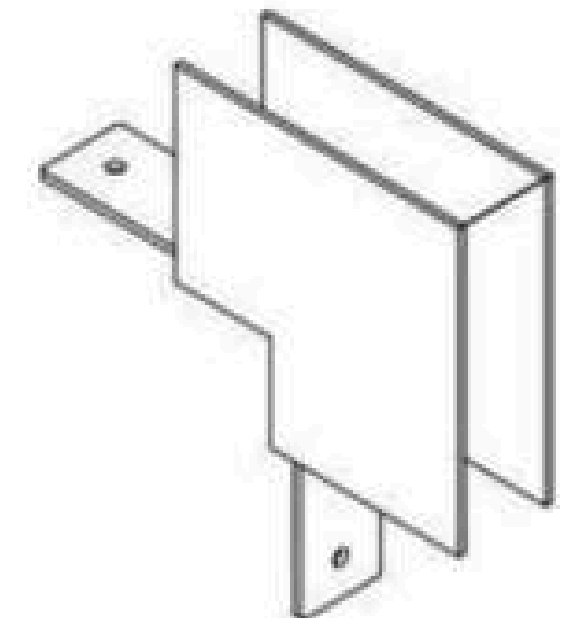
90° corner  
(C TOC)



90° corner IN  
(C TOW)

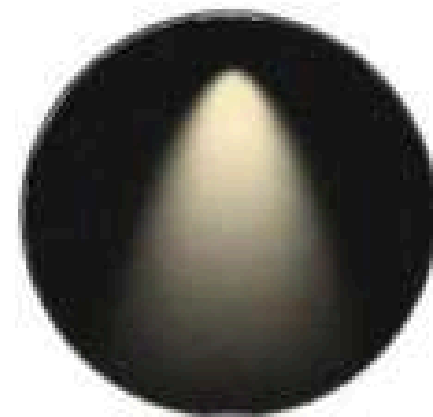


90° corner OUT  
(W TOW)

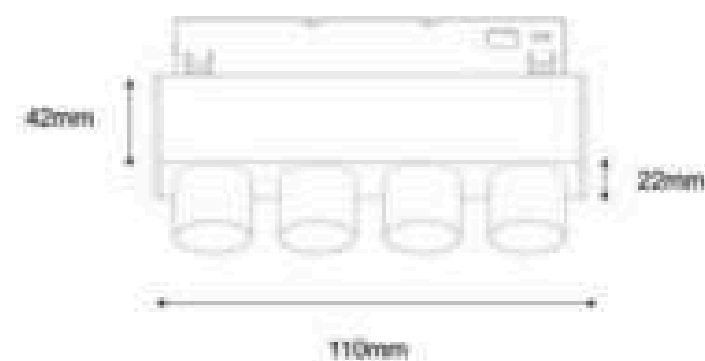


## M20

Magnetic LED Spot Linear



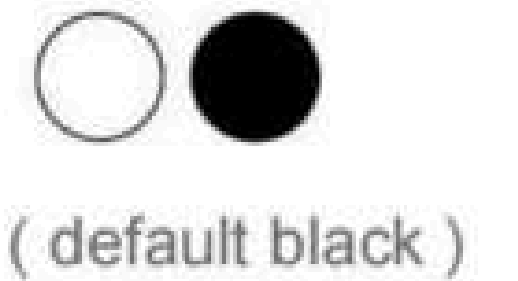
### Types



## ◆ SP4 ◆ SP8

Code	Power	Size (mm)
SP4	8W	110*22*42
SP8	16W	218*22*42

### Colours



Beam angle : □ 15° ■ 30° □ 50°

CCT : ● 3000K ● 4000K ● 5000K ● 3000-5000K

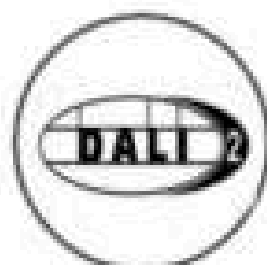
CRI : ≥92°

Input Voltage : 48VDC

Structure : □ Adjustable ■ Fixed

Ambient Temperature : -20°C ~ +40°C

Dimm/Control : □ 0-10V □ Dali □ Bluetooth □ Zigbee



# farnotte

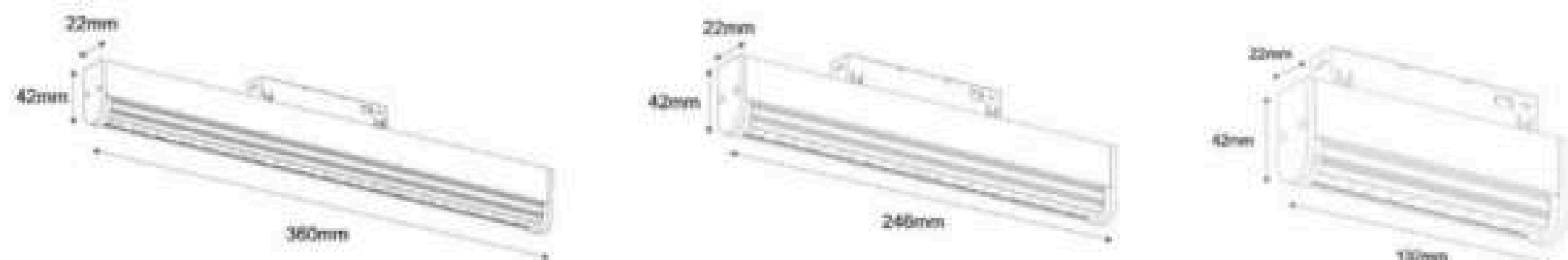
IL DESIGN ITALIANO  
PER L'ILLUMINAZIONE

## M20


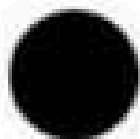
Magnetic LED Spot Linear



Types



### ◆LBR6 ◆LBR12 ◆LBR18

Code	Power	Size (mm)	Colours
LBR6	6W	132*22*42	  ( default black )
LBR12	12W	246*22*42	
LBR18	18W	360*22*42	

Beam angle : 30°

CCT :  3000K  4000K  5000K  3000-5000K

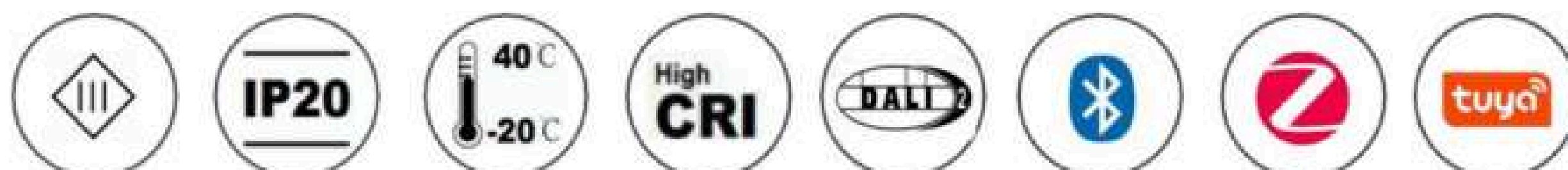
CRI :  $\geq 92$

Input Voltage : 48VDC

Structure :  Adjustable  Fixed

Ambient Temperature : -20°C ~ +40°C

Dimm/Control :  0-10V  Dali  Bluetooth  Zigbee



## M20

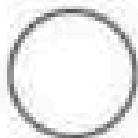
Magnetic LED Diffused Linear



### Types



## ◆ DFR360 ◆ DFR700

Code	Power	Size (mm)	Colours
DFR360	10W	360*22*42	 
DFR700	20W	702*22*42	( default black )

Beam angle : 105°

CCT:  3000K  4000K  5000K  3000-5000K

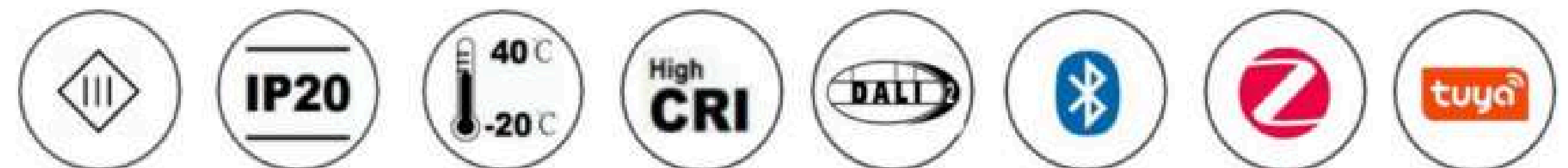
CRI : ≥92

Input Voltage : 48VDC

Structure :  Adjustable  Fixed

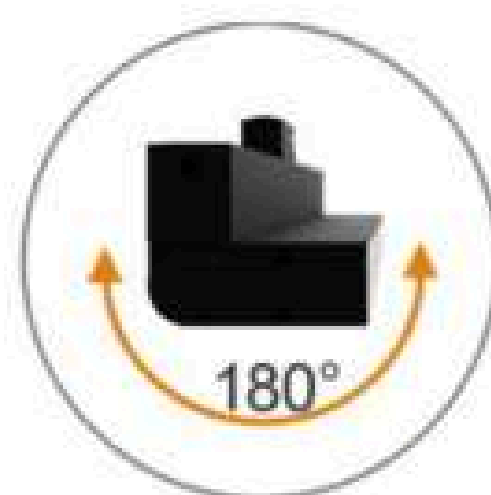
Ambient Temperature : -20°C ~ +40°C

Dimm/Control :  0-10V  Dali  Bluetooth  Zigbee

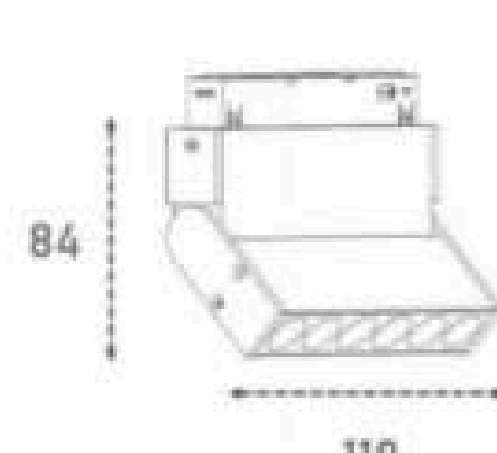
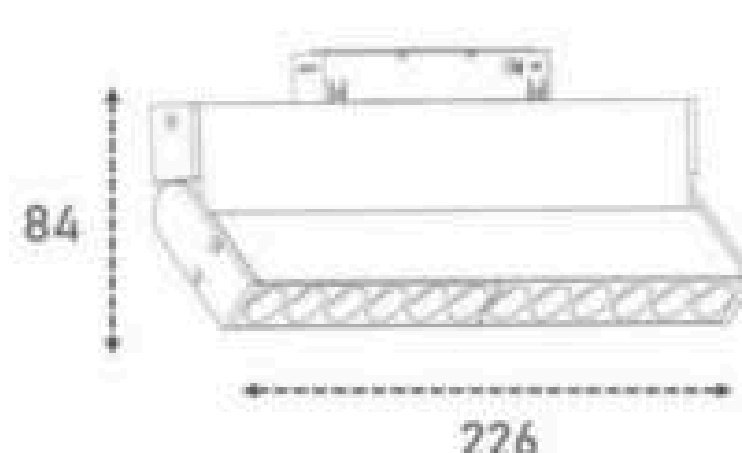
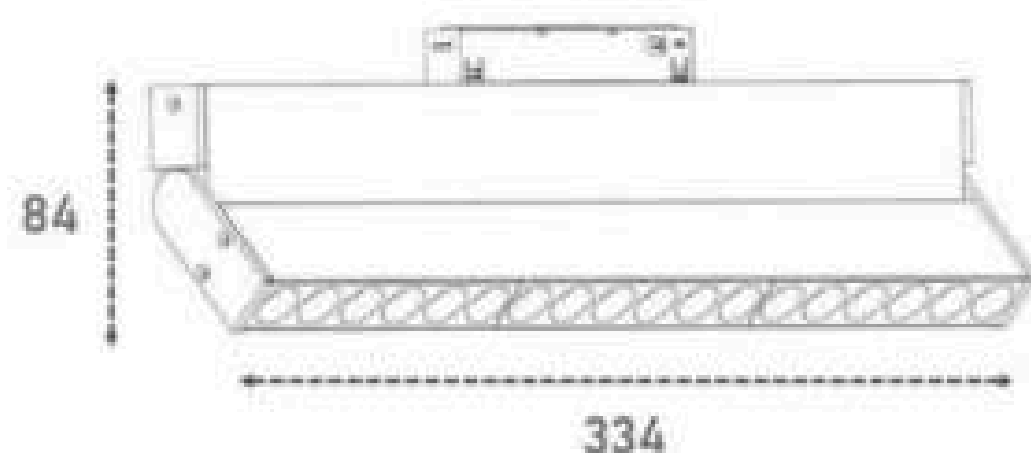


## M20


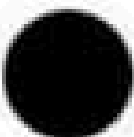
Magnetic LED Spot Linear



Types



## ◆FD6X ◆FD12X ◆FD18X

Code	Power	Size (mm)	Colours
FD6X	6W	118*22*84	  ( default black )
FD12X	12W	226*22*84	
FD18X	18W	334*22*84	

Beam angle : ■ 24° □ 36°

CCT:  3000K  4000K  5000K  3000-5000K

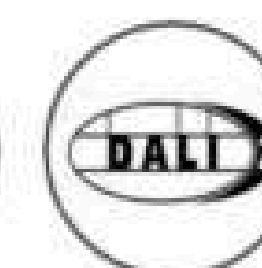
CRI : ≥92

Input Voltage : 48VDC

Structure : ■ Adjustable □ Fixed

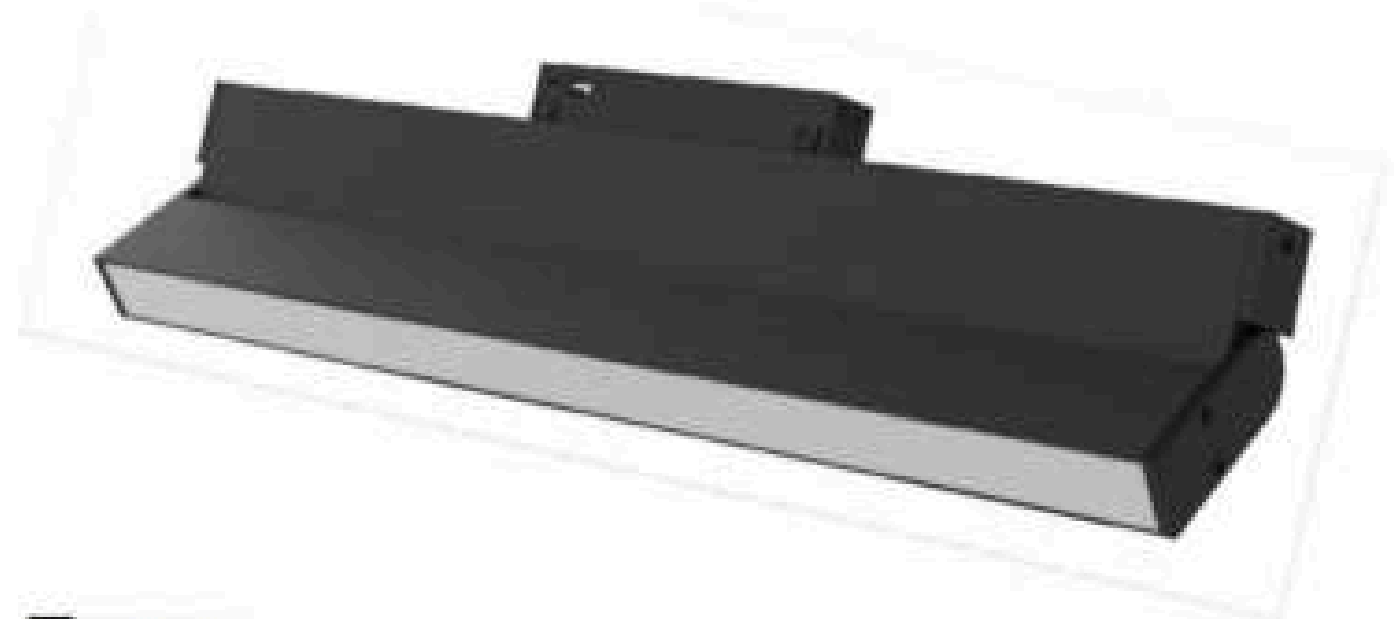
Ambient Temperature : -20°C ~ +40°C

Dimm/Control : □ 0-10V □ Dali □ Bluetooth □ Zigbee

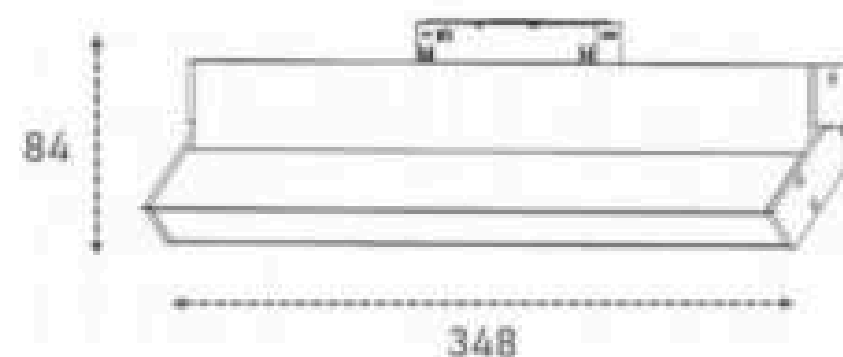
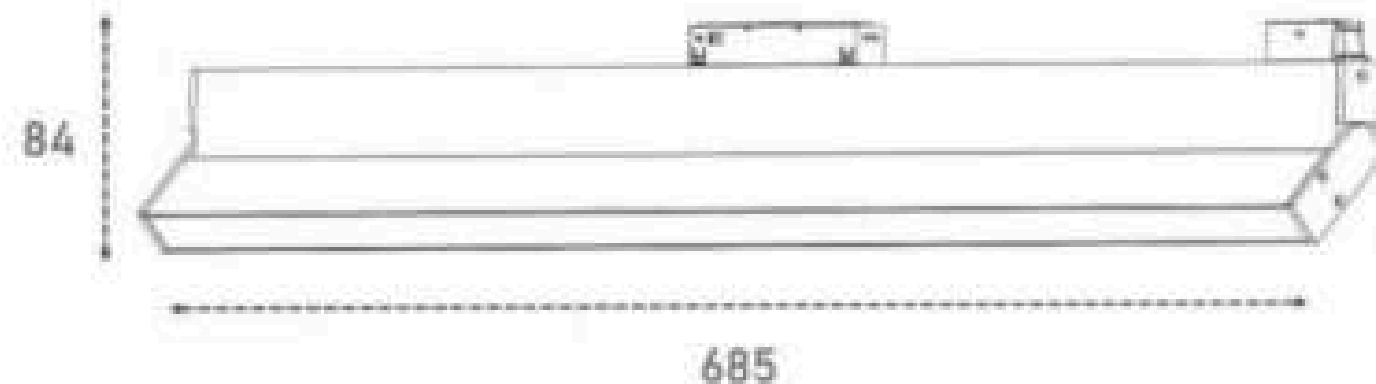


## M20

Magnetic LED Diffused Linear



Types



## ◆ FD340X ◆ FD680X

Code	Power	Size (mm)	Colours
FD340X	12W	334*22*84	 
FD680X	24W	685*22*84	( default black )

Beam angle : 105°

CCT:  3000K  4000K  5000K  3000-5000K

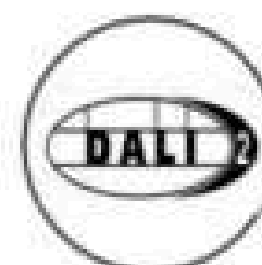
CRI : ≥92

Input Voltage : 48VDC

Structure :  Adjustable  Fixed

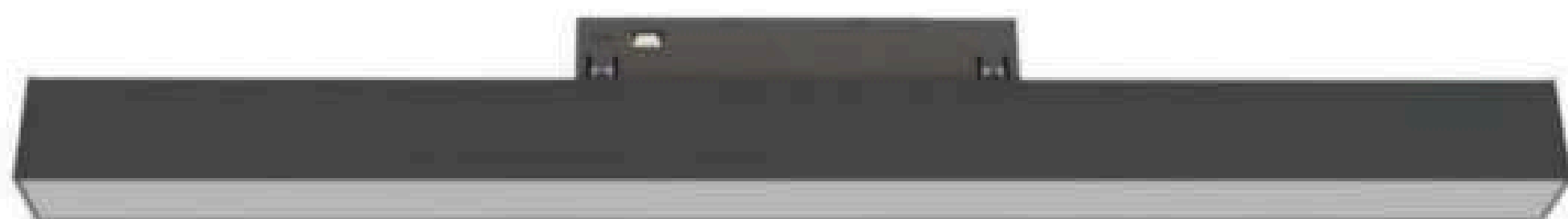
Ambient Temperature : -20°C ~ +40°C

Dimm/Control :  0-10V  Dali  Bluetooth  Zigbee

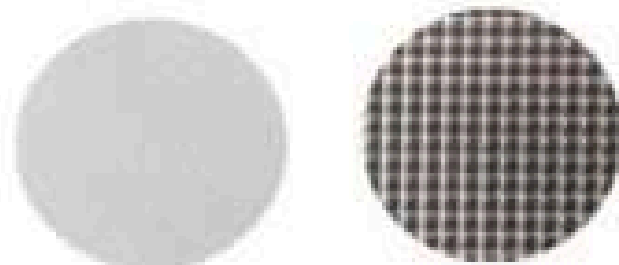
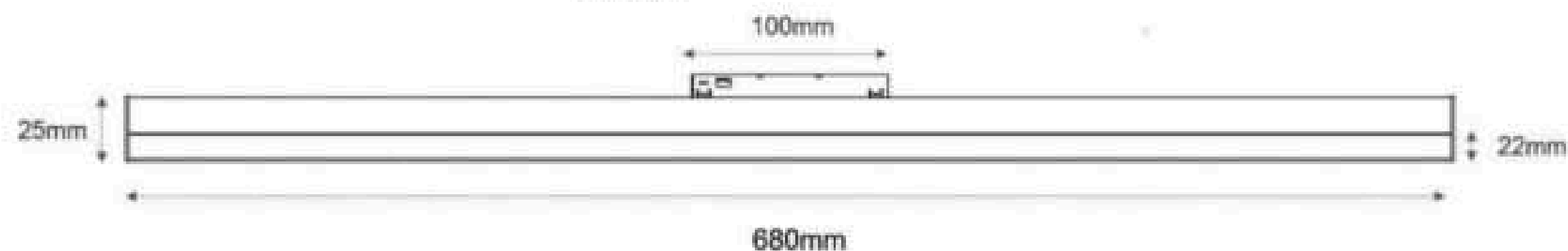


## M20


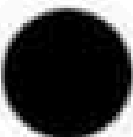
Magnetic LED Diffused Linear



### Types



## ◆ DF200 ◆ DF340 ◆ DF680

Code	Power	Size (mm)	Colours
DF200	6W	200*22*25	 
DF340	12W	340*22*25	( default black )
DF680	24W	680*22*25	

Beam angle : 105°

CCT:  3000K  4000K  5000K  3000-5000K

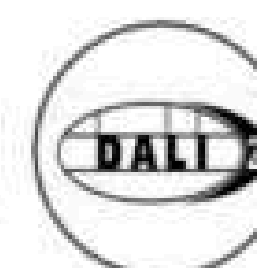
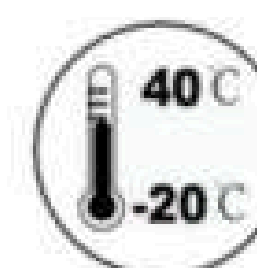
CRI : ≥92

Input Voltage : 48VDC

Structure :  Adjustable  Fixed

Ambient Temperature : -20°C ~ +40°C

Dimm/Control :  0-10V  Dali  Bluetooth  Zigbee

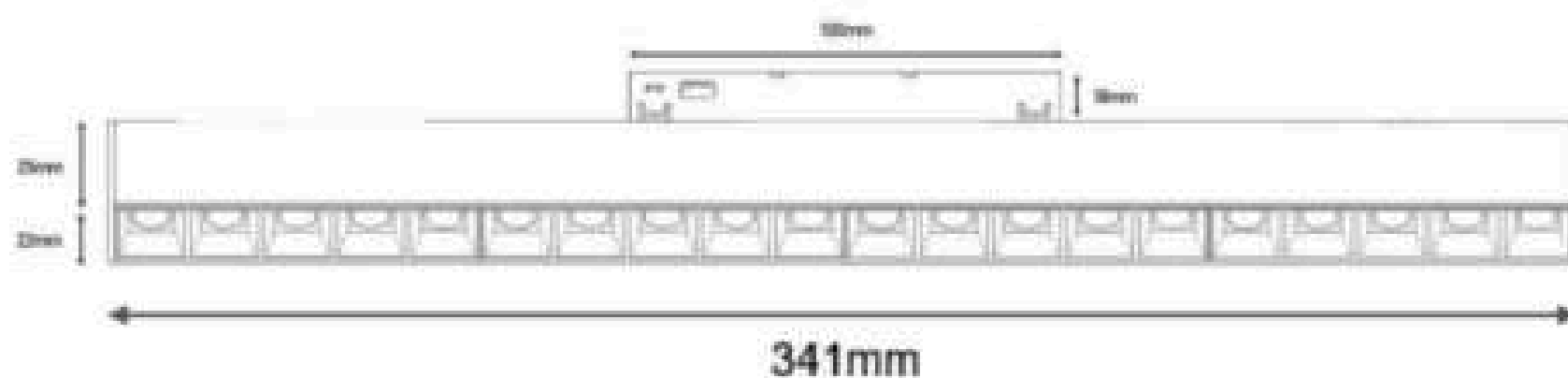
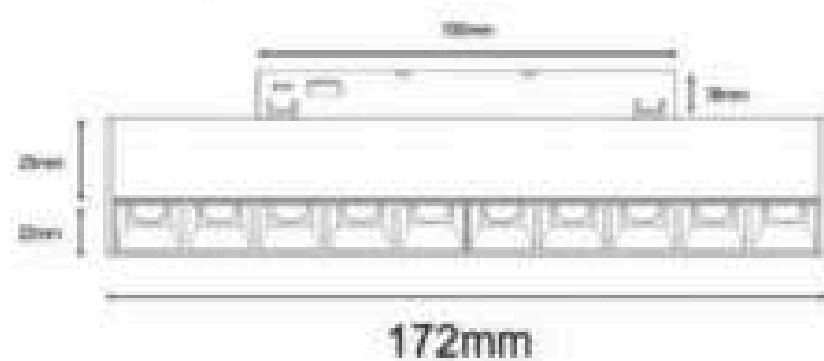


## M20


Magnetic LED Spot Linear



### Types



## ◆ LB10 ◆ LB20

Code	Power	Size (mm)	Colours
LB10	10W	172*22*25	 
LB20	20W	341*22*25	( default black )

Beam angle : 30°

CCT:  3000K  4000K  5000K  3000-5000K

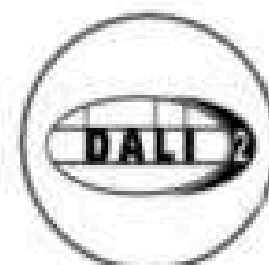
CRI: ≥92

Input Voltage : 48VDC

Structure :  Adjustable  Fixed

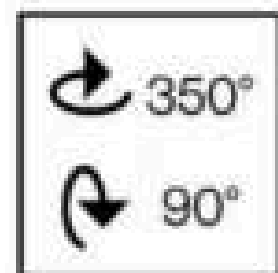
Ambient Temperature : -20°C ~ +40°C

Dimm/Control :  0-10V  Dali  Bluetooth  Zigbee

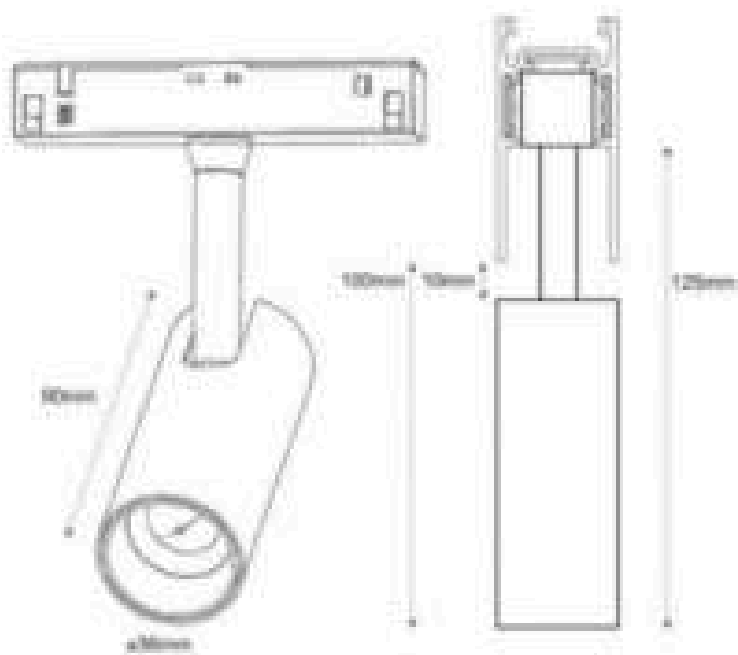


## M20


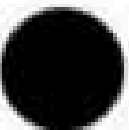

Magnetic LED Spot Linear



### Types



## ◆ TL5 ◆ TL7

Code	Power	Size (mm)	Colours
TL5	5W	ø36*90*125	  
TL7	7W	ø36*90*125	( default black )

Beam angle : 24°

CCT:  3000K  4000K  5000K  3000-5000K

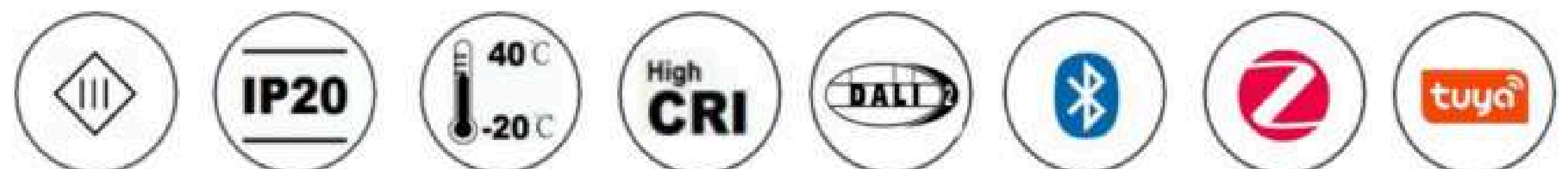
CRI: ≥92

Input Voltage : 48VDC

Structure :  Adjustable  Fixed

Ambient Temperature : -20°C ~ +40°C

Dimm/Control :  0-10V  Dali  Bluetooth  Zigbee

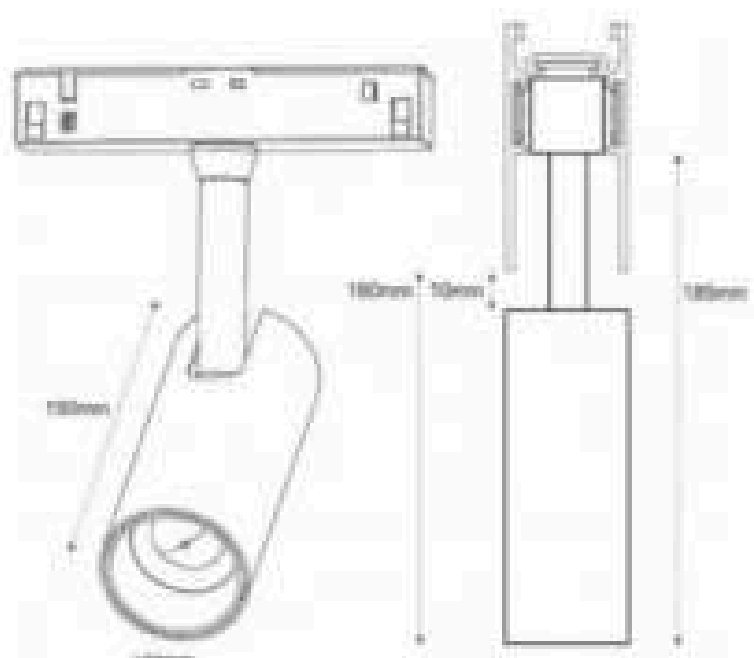


## M20


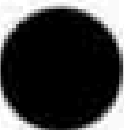

Magnetic LED Spot Linear



### Types



## ◆ TL9 ◆ TL12

Code	Power	Size (mm)	Colours
TL9	9W	ø48*150*185	  
TL12	12W	ø48*150*185	( default black )

Beam angle : 24°

CCT:  3000K  4000K  5000K  3000-5000K

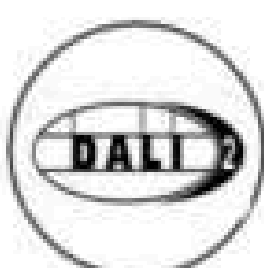
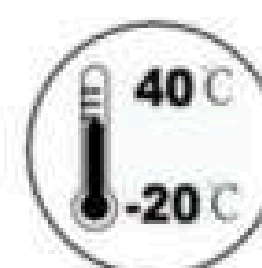
CRI: ≥92

Input Voltage : 48VDC

Structure :  Adjustable  Fixed

Ambient Temperature : -20°C ~ +40°C

Dimm/Control :  0-10V  Dali  Bluetooth  Zigbee



# farnotte

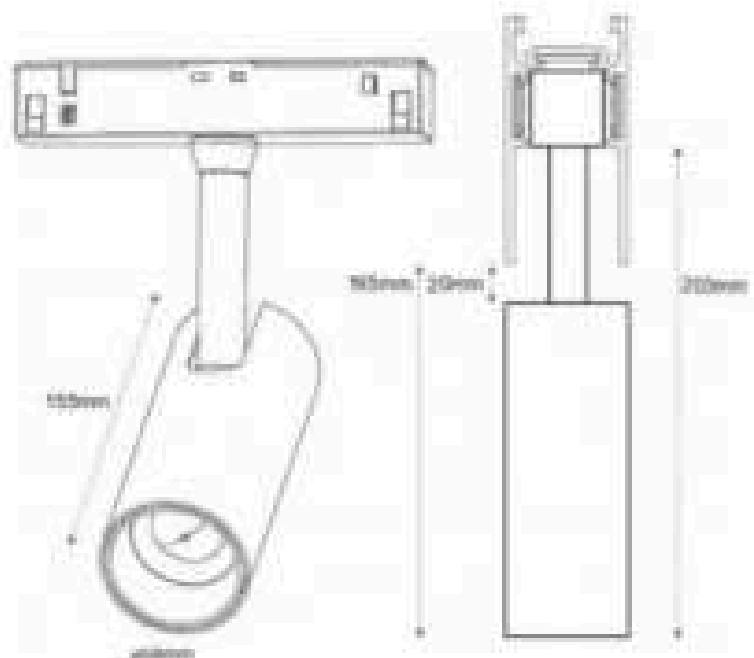
IL DESIGN ITALIANO  
PER L'ILLUMINAZIONE

## M20


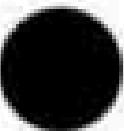

Magnetic LED Spot Linear



Types



### ◆ TL18 ◆ TL24

Code	Power	Size (mm)	Colours
TL18	18W	∅58*155*200	  
TL24	24W	∅58*155*200	( default black )

Beam angle : 24°

CCT:  3000K  4000K  5000K  3000-5000K

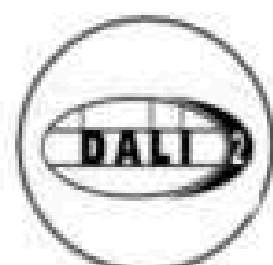
CRI: ≥92

Input Voltage : 48VDC

Structure :  Adjustable  Fixed

Ambient Temperature : -20°C ~ +40°C

Dimm/Control :  0-10V  Dali  Bluetooth  Zigbee

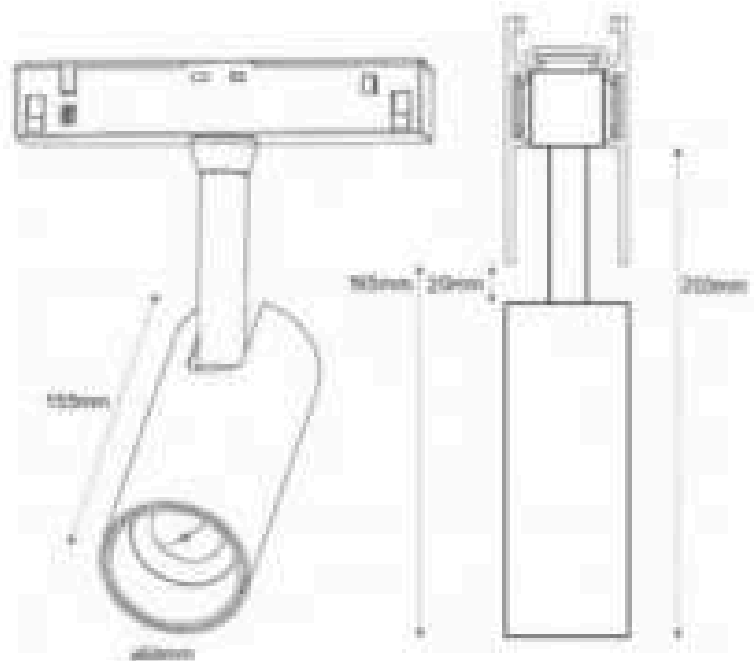


## M20


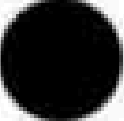

Magnetic LED Spot Linear



### Types



## ◆ TL30

Code	Power	Size (mm)	Colours
TL30	30W	∅68*155*200	   ( default black )

Beam angle : 24°

CCT:  3000K  4000K  5000K  3000-5000K

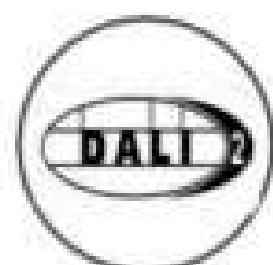
CRI: ≥92

Input Voltage : 48VDC

Structure :  Adjustable  Fixed

Ambient Temperature : -20°C ~ +40°C

Dimm/Control :  0-10V  Dali  Bluetooth  Zigbee

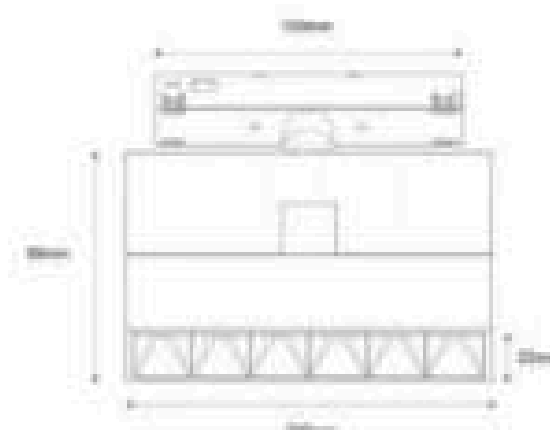
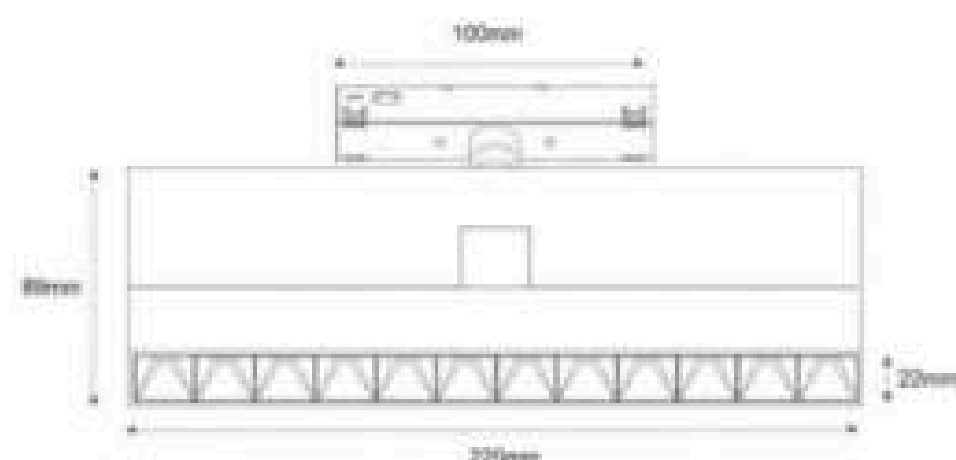


## M20


Magnetic LED Spot Linear



### Types



## ◆ FD6 ◆ FD12

Code	Power	Size (mm)	Colours
FD6	6W	110*22*89	 
FD12	12W	220*22*89	( default black )

Beam angle : 30°

CCT:  3000K  4000K  5000K  3000-5000K

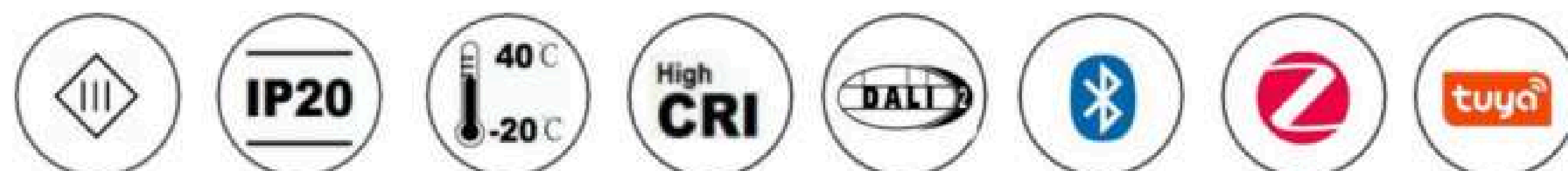
CRI: ≥92

Input Voltage : 48VDC

Structure :  Adjustable  Fixed

Ambient Temperature : -20°C ~ +40°C

Dimm/Control :  0-10V  Dali  Bluetooth  Zigbee

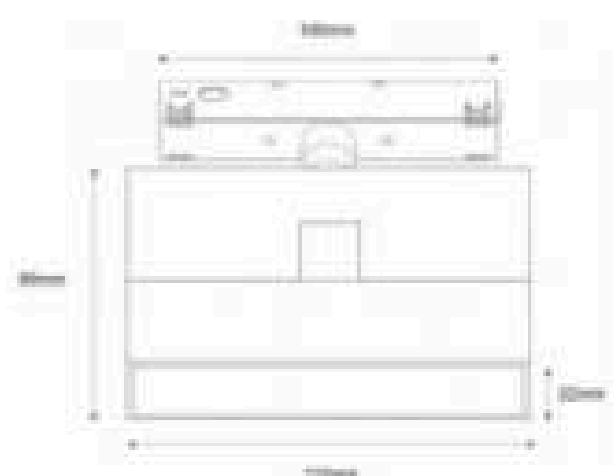
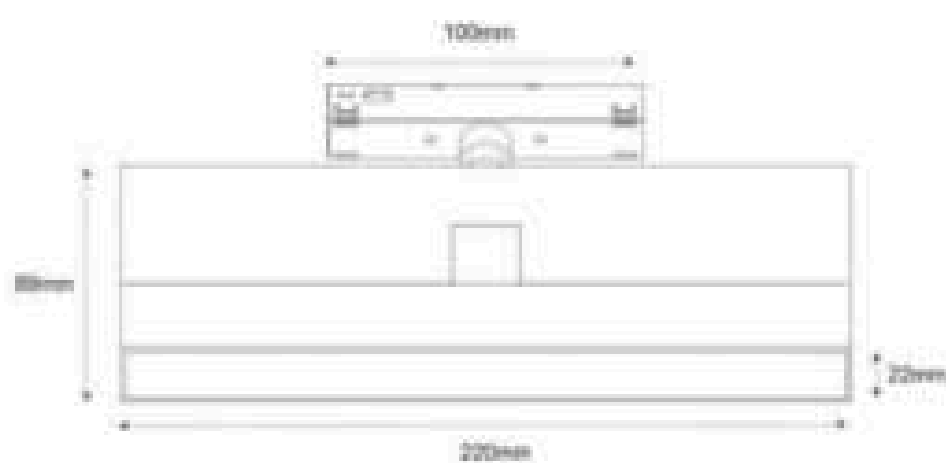


## M20

Magnetic LED Diffused Linear



### Types



## ◆ FD6D ◆ FD12D

Code	Power	Size (mm)	Colours
FD6D	6W	110*22*89	 
FD12D	12W	220*22*89	( default black )

Beam angle : 105°

CCT:  3000K  4000K  5000K  3000-5000K

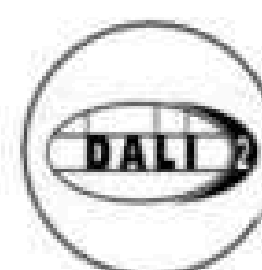
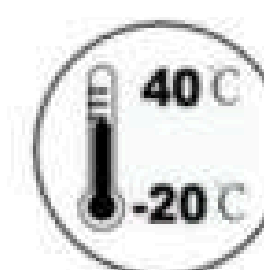
CRI: ≥92

Input Voltage : 48VDC

Structure :  Adjustable  Fixed

Ambient Temperature : -20°C ~ +40°C

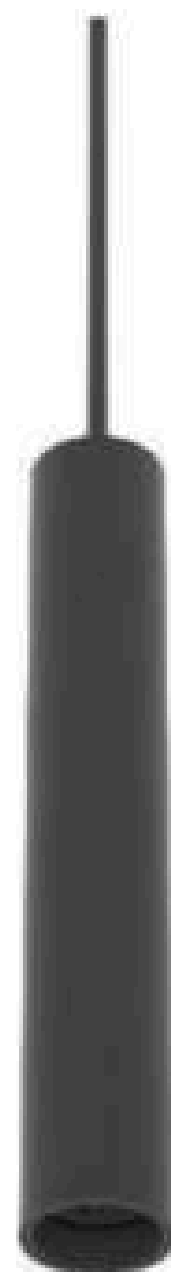
Dimm/Control :  0-10V  Dali  Bluetooth  Zigbee



# M20

# M35

Magnetic LED Spot Linear



Types



## ◆ TB9W

Code	Power	Size (mm)	Colours
TB9W	9W	∅39*290	  ( default black )

Beam angle : 24°

CCT:  3000K  4000K  5000K  3000-5000K

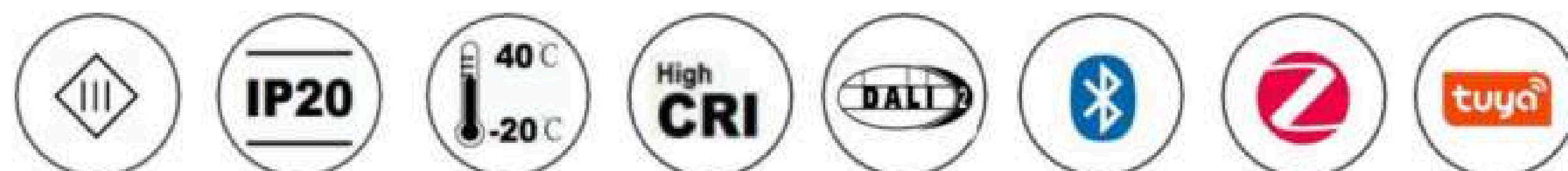
CRI : ≥92

Input Voltage : 48VDC

Structure :  Adjustable  Fixed

Ambient Temperature : -20°C ~ +40°C

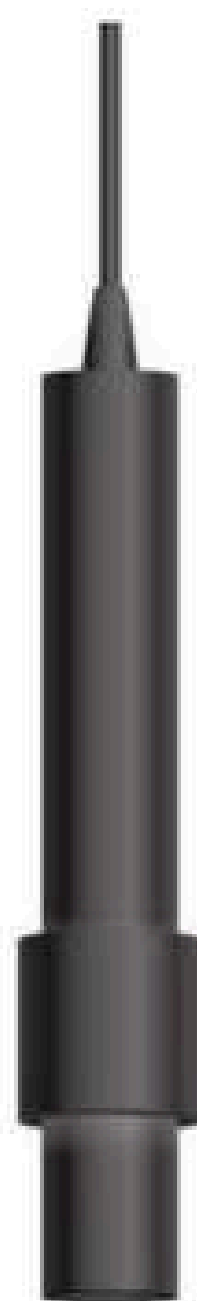
Dimm/Control :  0-10V  Dali  Bluetooth  Zigbee



# M20

# M35

Magnetic LED Spot Linear



Types



## ◆ HG9W

Code	Power	Size (mm)	Colours
HG9W	9W	ø54*290	  ( default black )

Beam angle : 24°

CCT:  3000K  4000K  5000K  3000-5000K

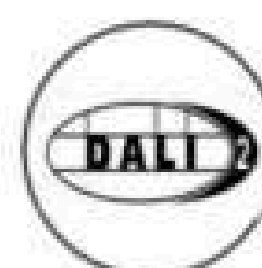
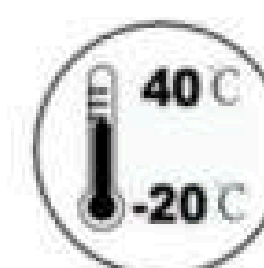
CRI : ≥92

Input Voltage : 48VDC

Structure :  Adjustable  Fixed

Ambient Temperature : -20°C ~ +40°C

Dimm/Control :  0-10V  Dali  Bluetooth  Zigbee



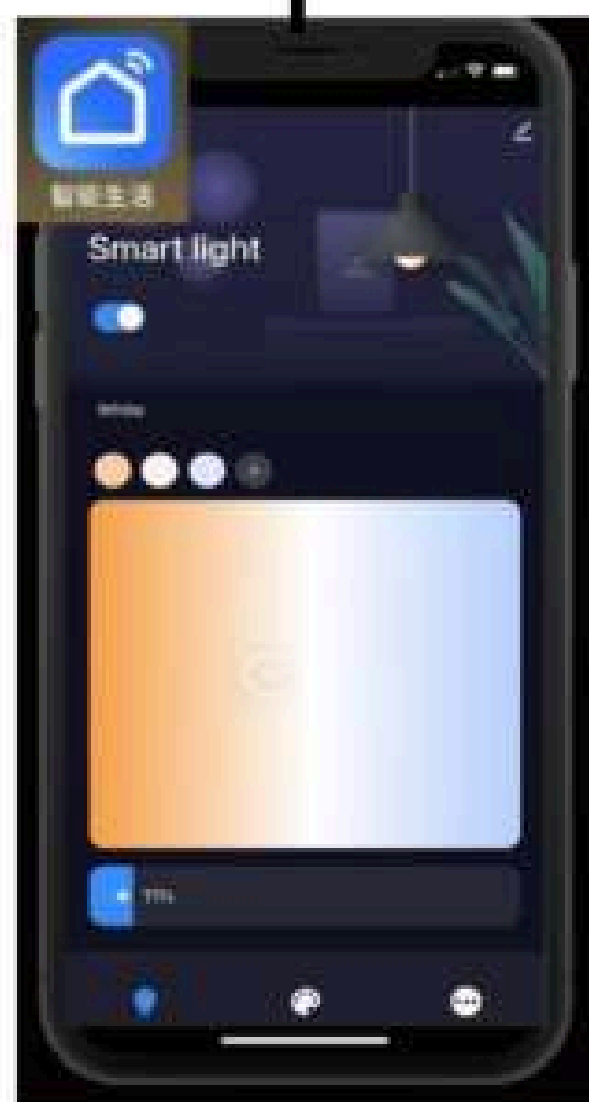
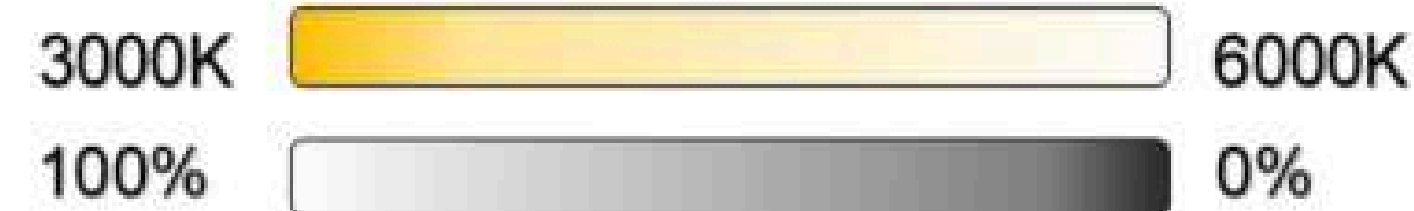


**farnotte**

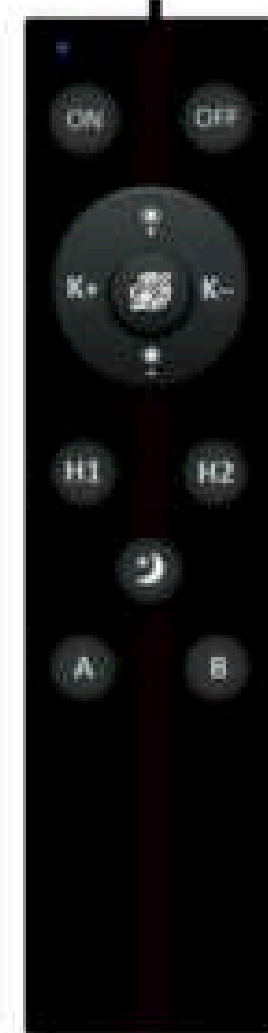
IL DESIGN ITALIANO  
PER L'ILLUMINAZIONE

# SMART LIGHT SYSTEM

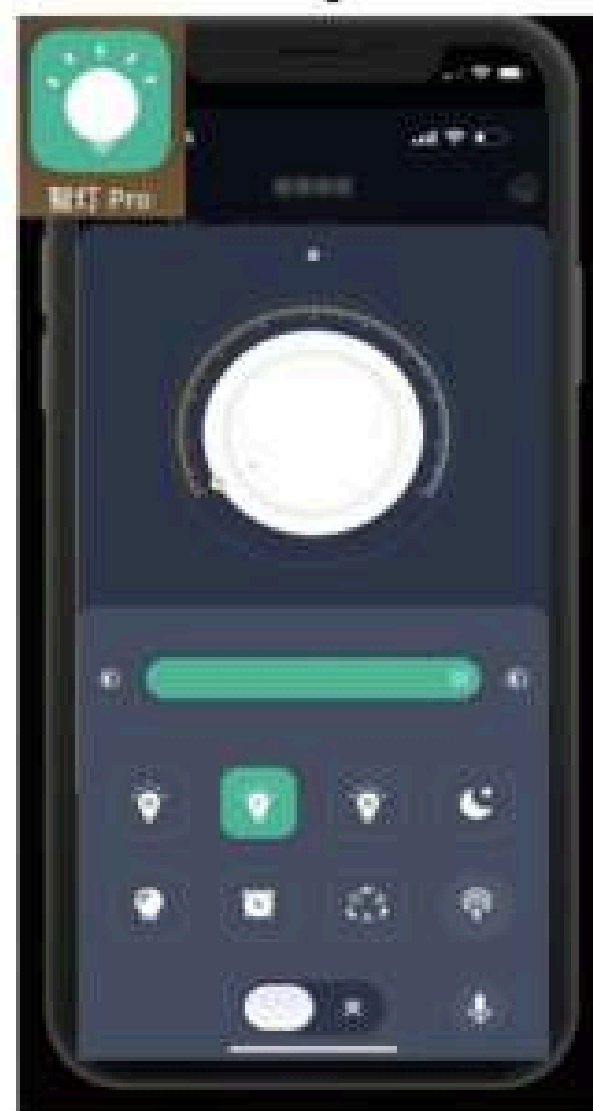
# CENTRALIZED CONTROL



APP Control



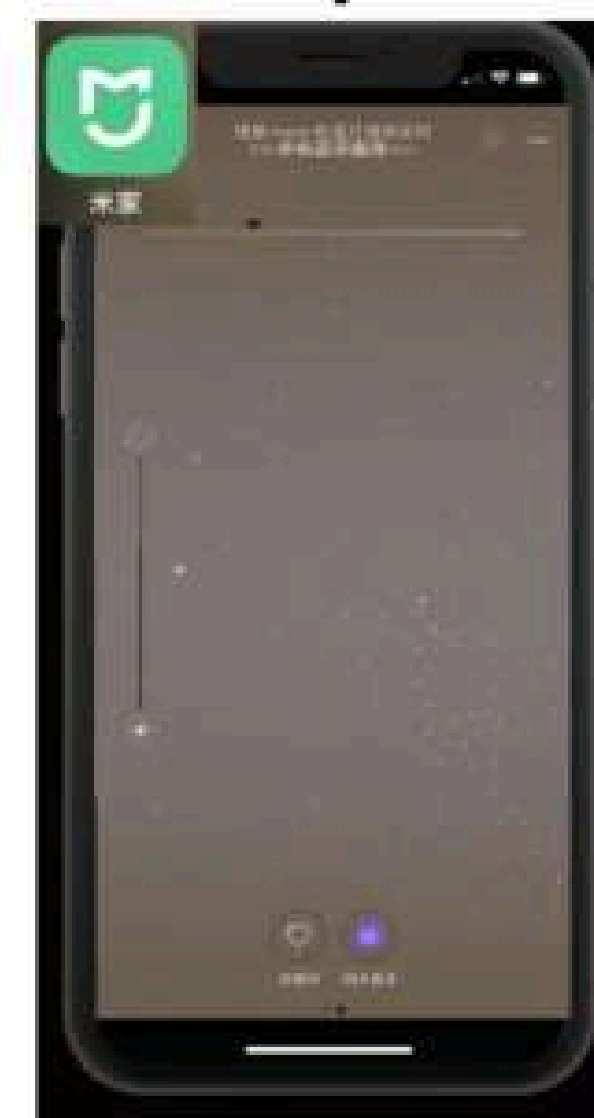
Remote Control



APP Control



Remote Control



APP Control



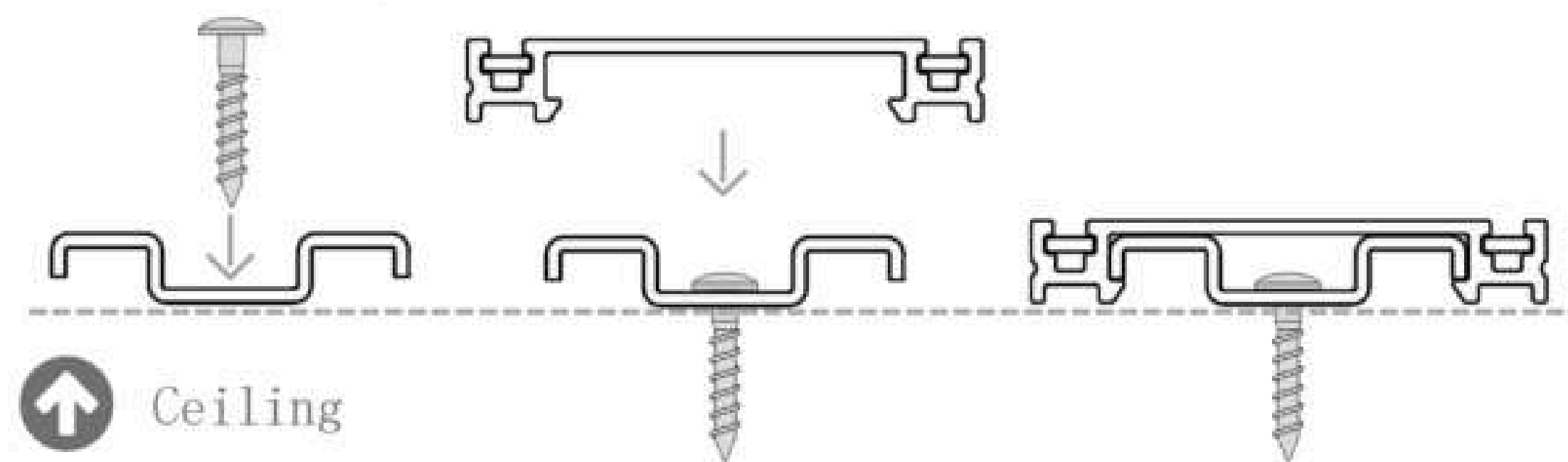
Remote Control

## Brief Introduction

- Thickness: 5mm, apply a magnet system without suspended ceiling;
- Can be cut at any length, satisfy various design;
- Easy installation, bracket and body lock model;
- PC body with smoothly move, good insulation;



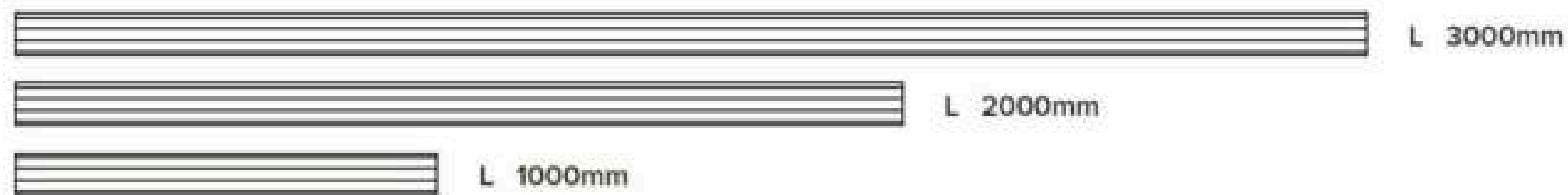
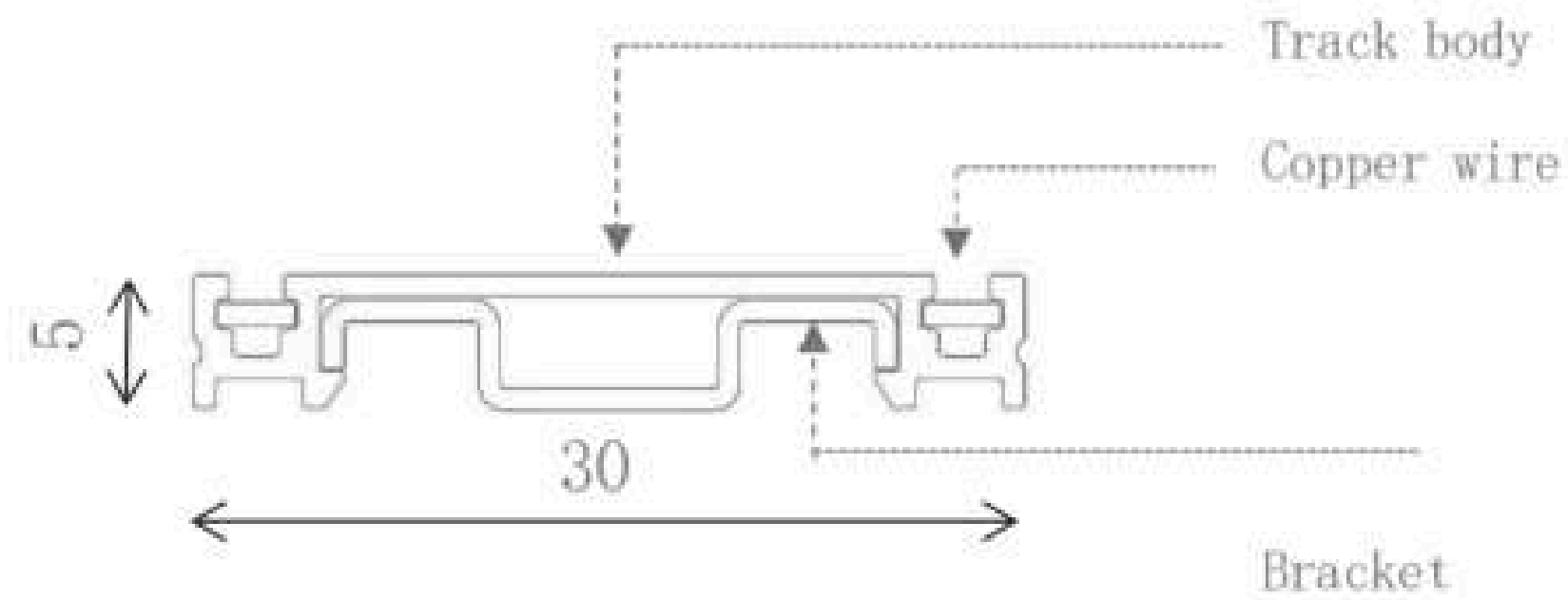
- ① fix the bracket with screws on ceiling
- ② Push and fix the body on the bracket
- ③ Insure the body is fixed properly



# ULTRATHIN MAGNETIC TRACK

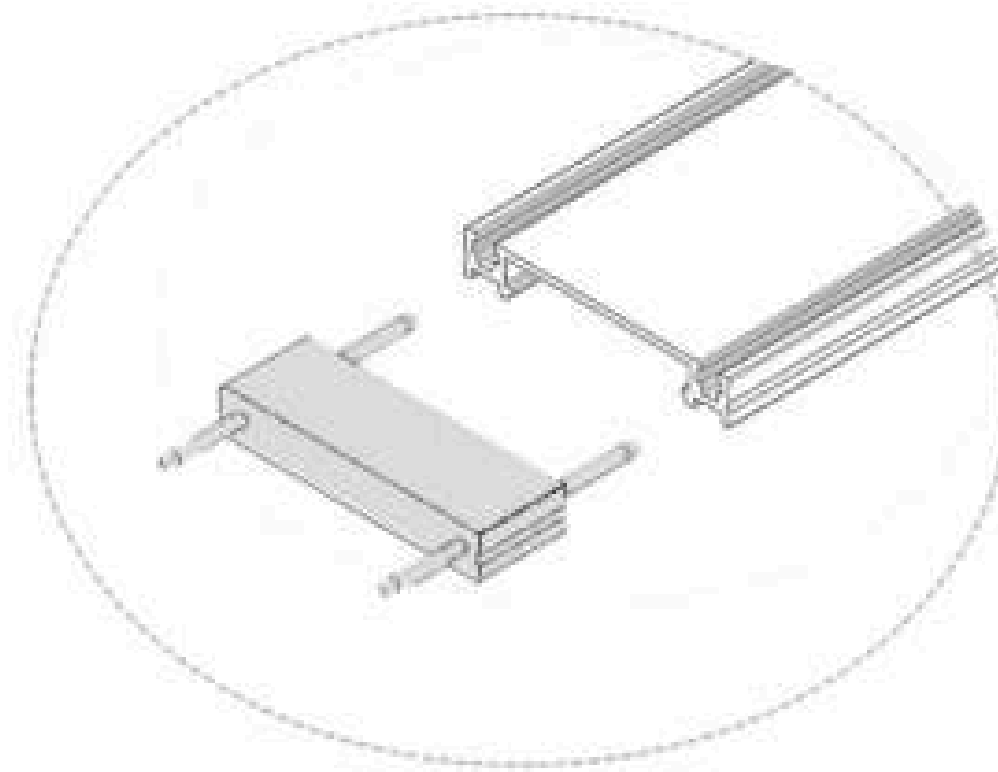
- Item No.: MS30
- Color: White Black
- Input Voltage: DC48V
- Material: PC &Iron &Copper
- Dimension: 30\*5mm

- Length:
  - ① 1000mm
  - ② 2000mm
  - ③ 3000mm

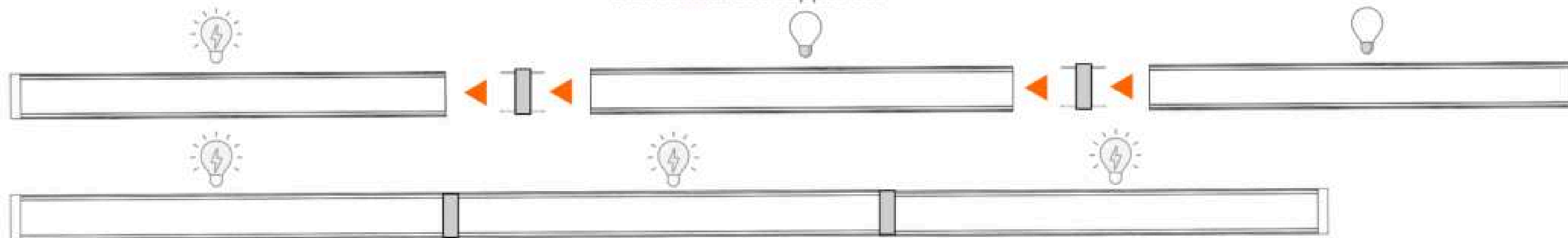
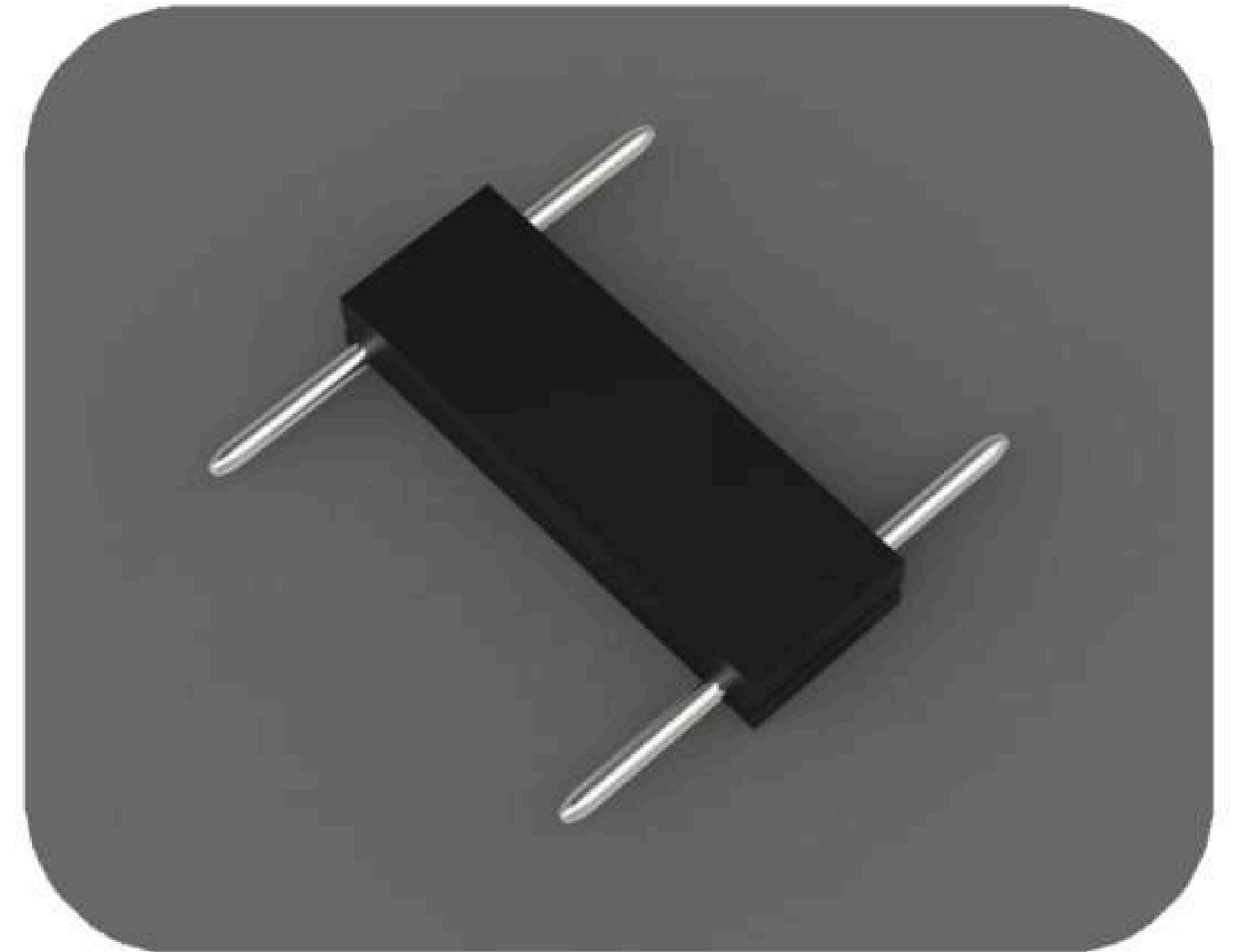


# Straight Connect Module

- Model No.: MS Straight Connect Module
- Color: White Black
- Material: PVC&COPPER
- Dimension: 30\*30\*5mm

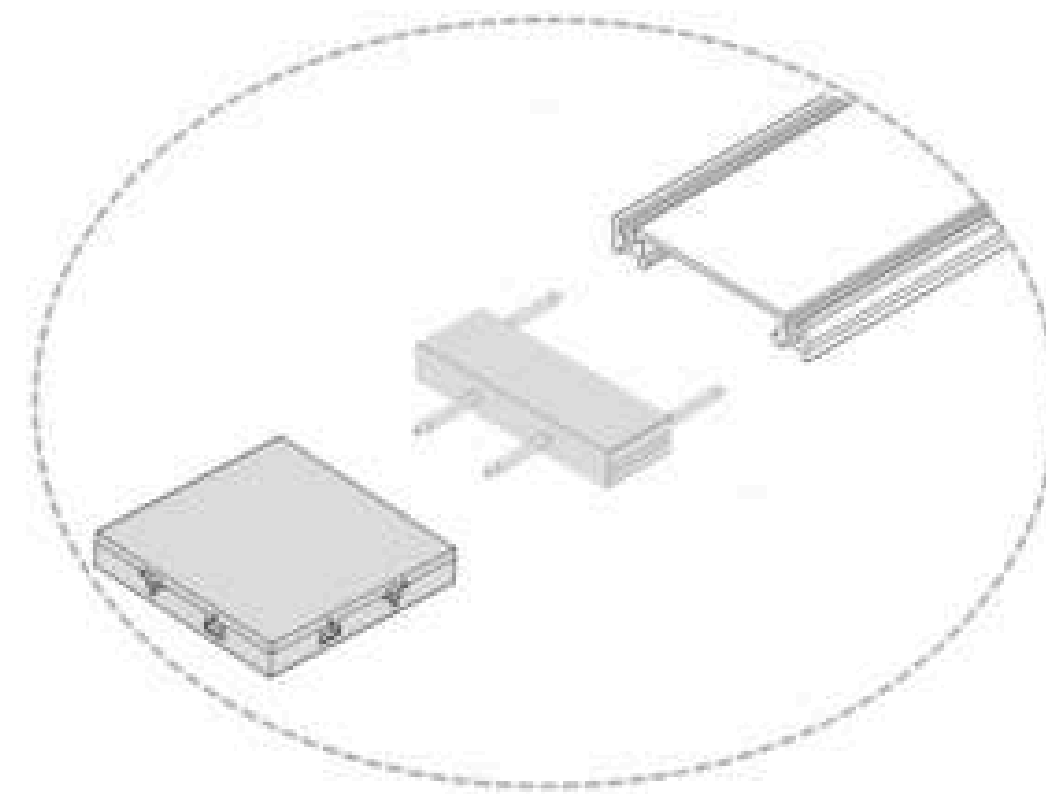


● Insert the copper pin of the module in the track under the copper bar

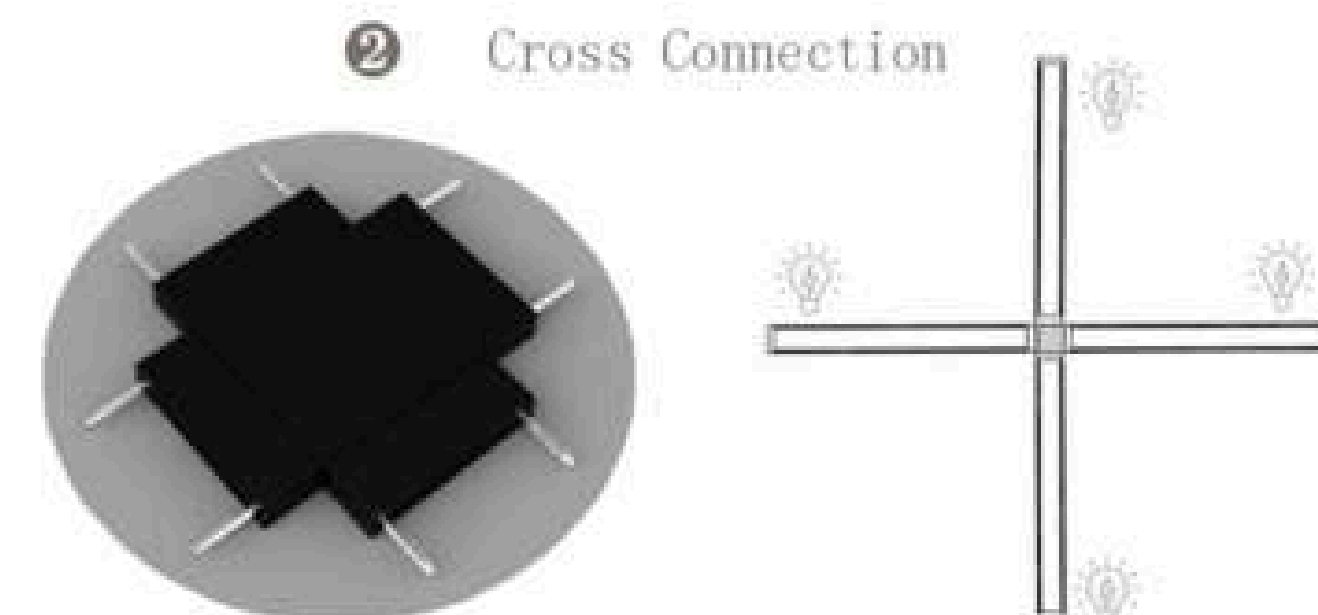
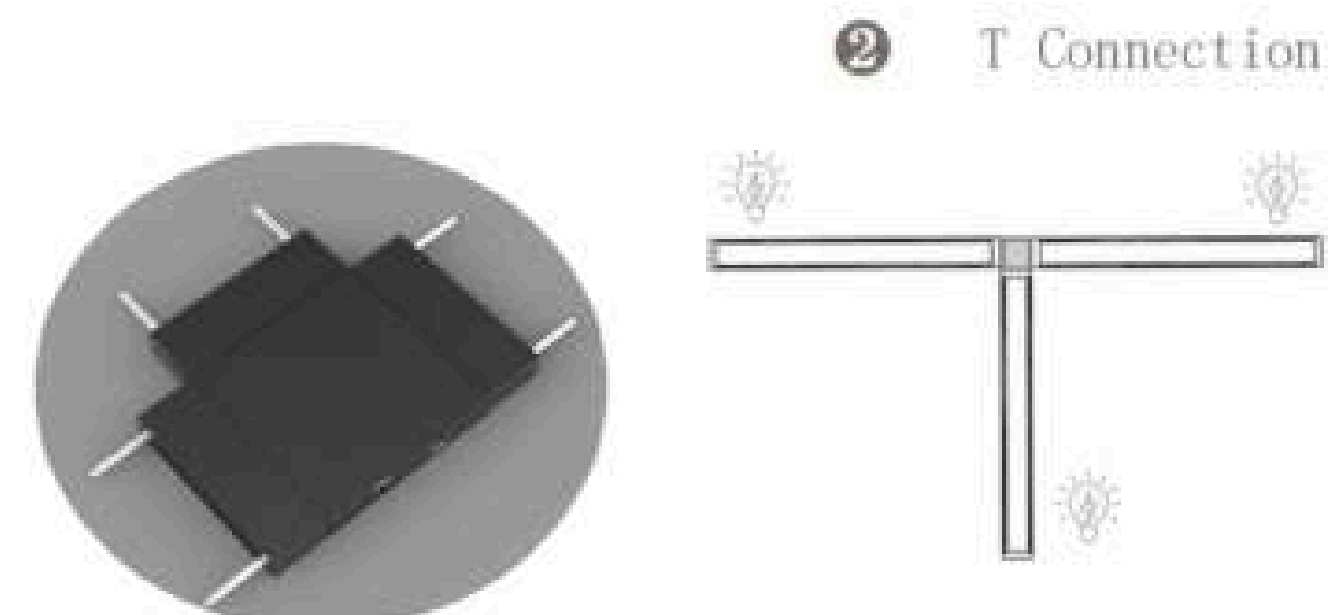
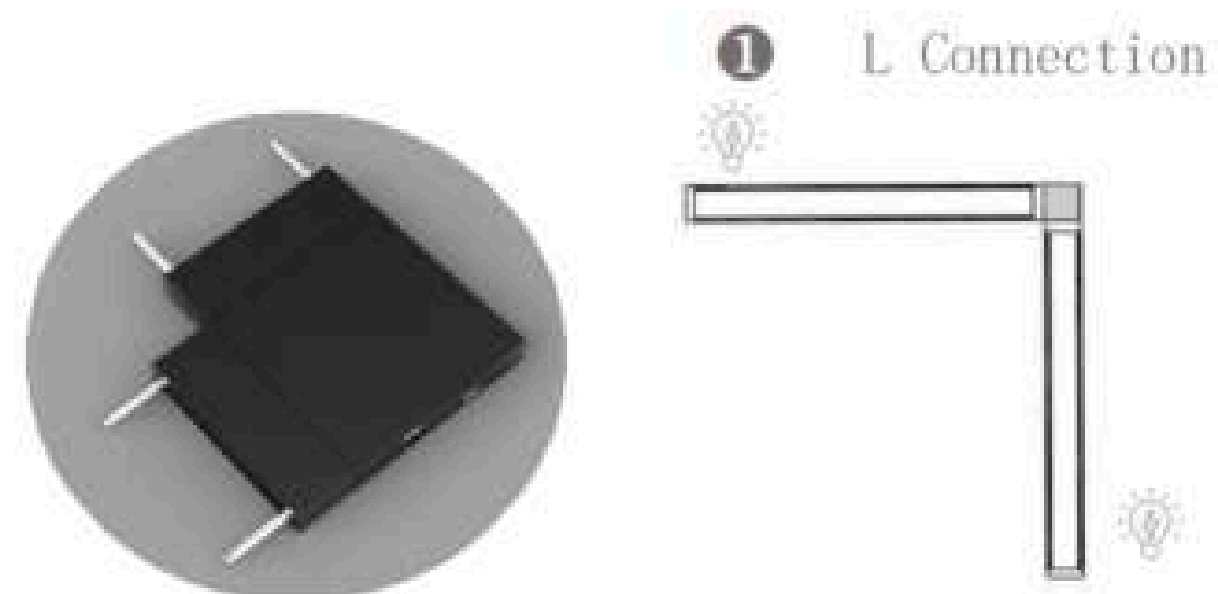
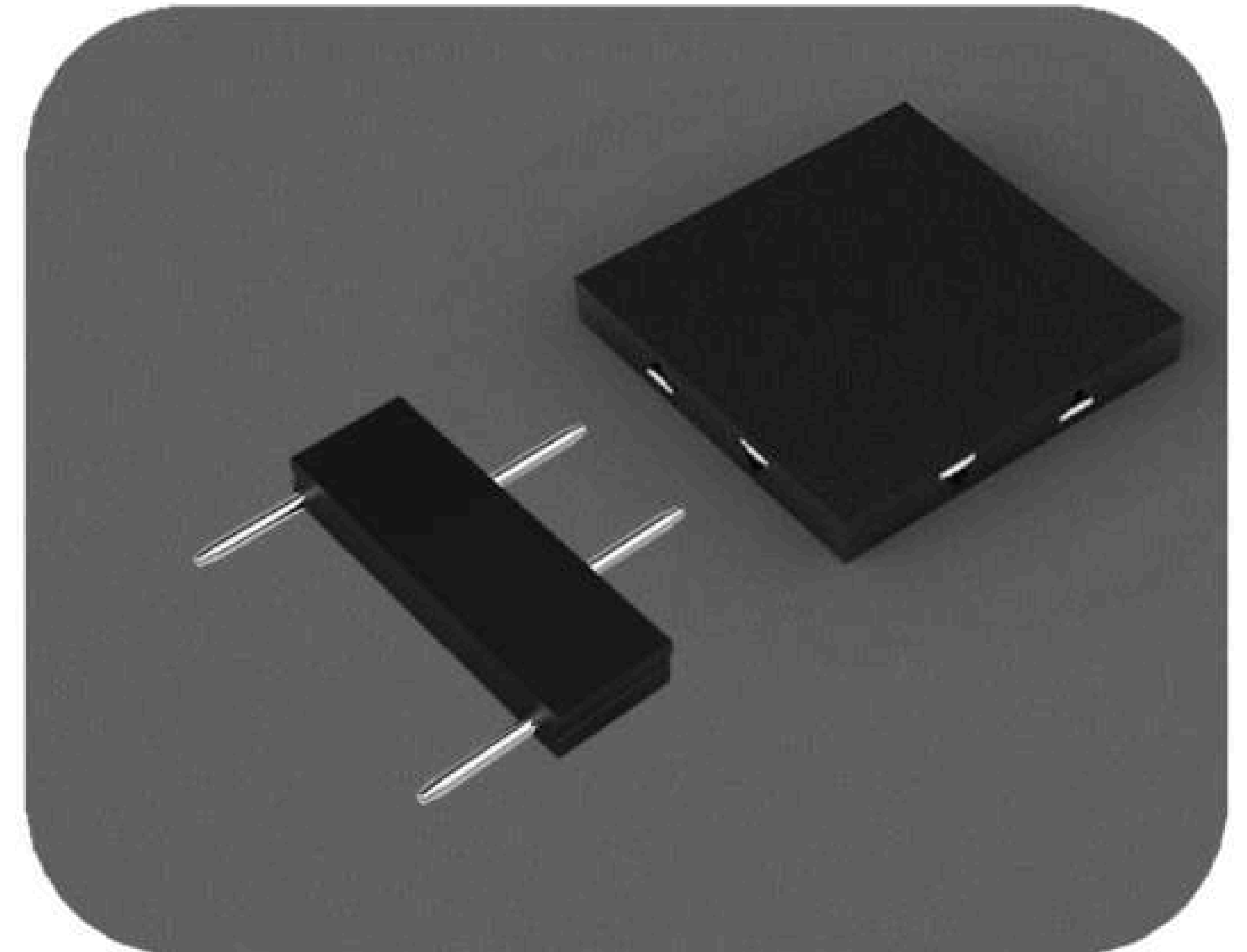


# Cross Connect Module

- Model No.: MS Cross Connect Module
- Color: White Black
- Material: PC&COPPER
- Dimension: 30\*30\*5mm

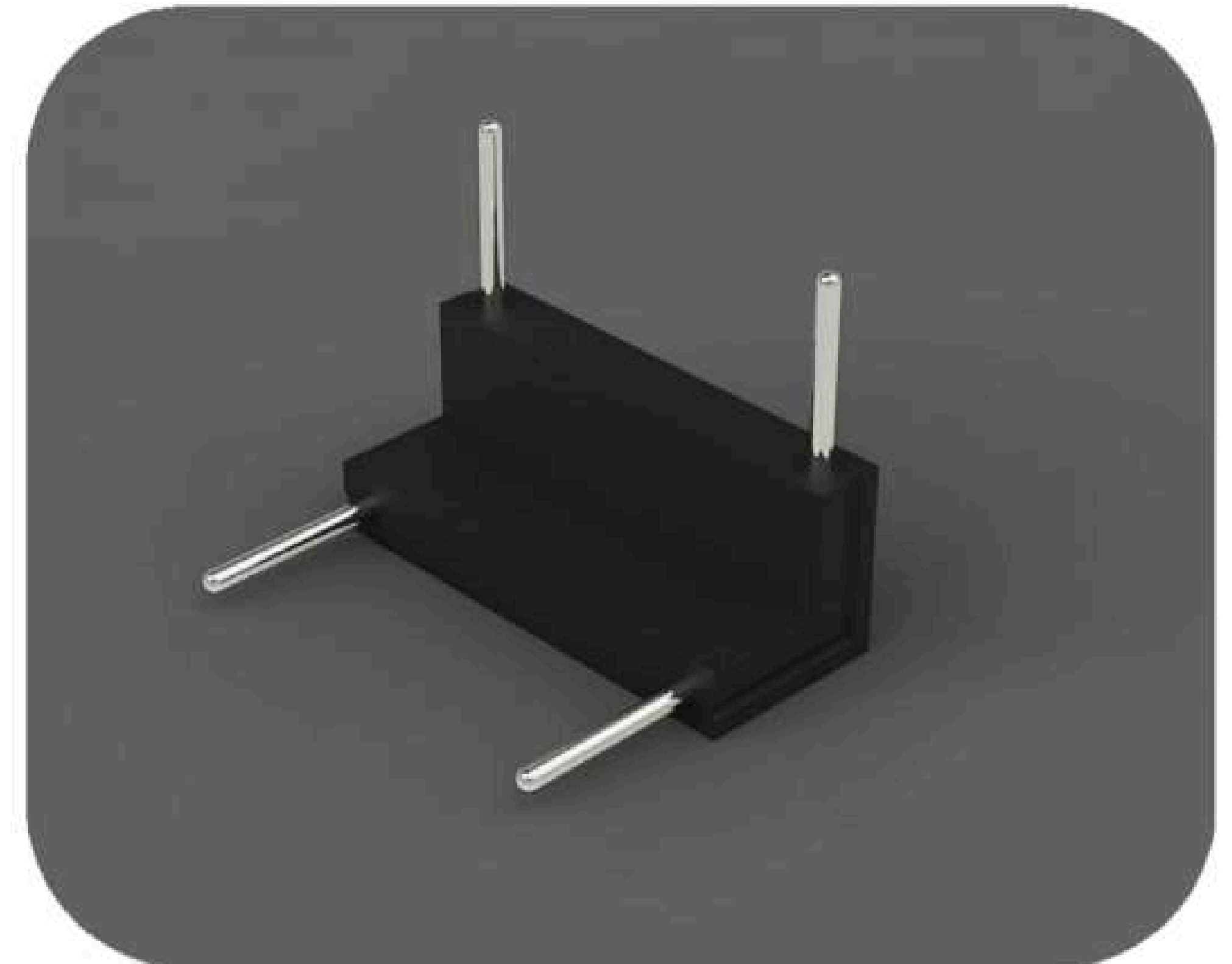
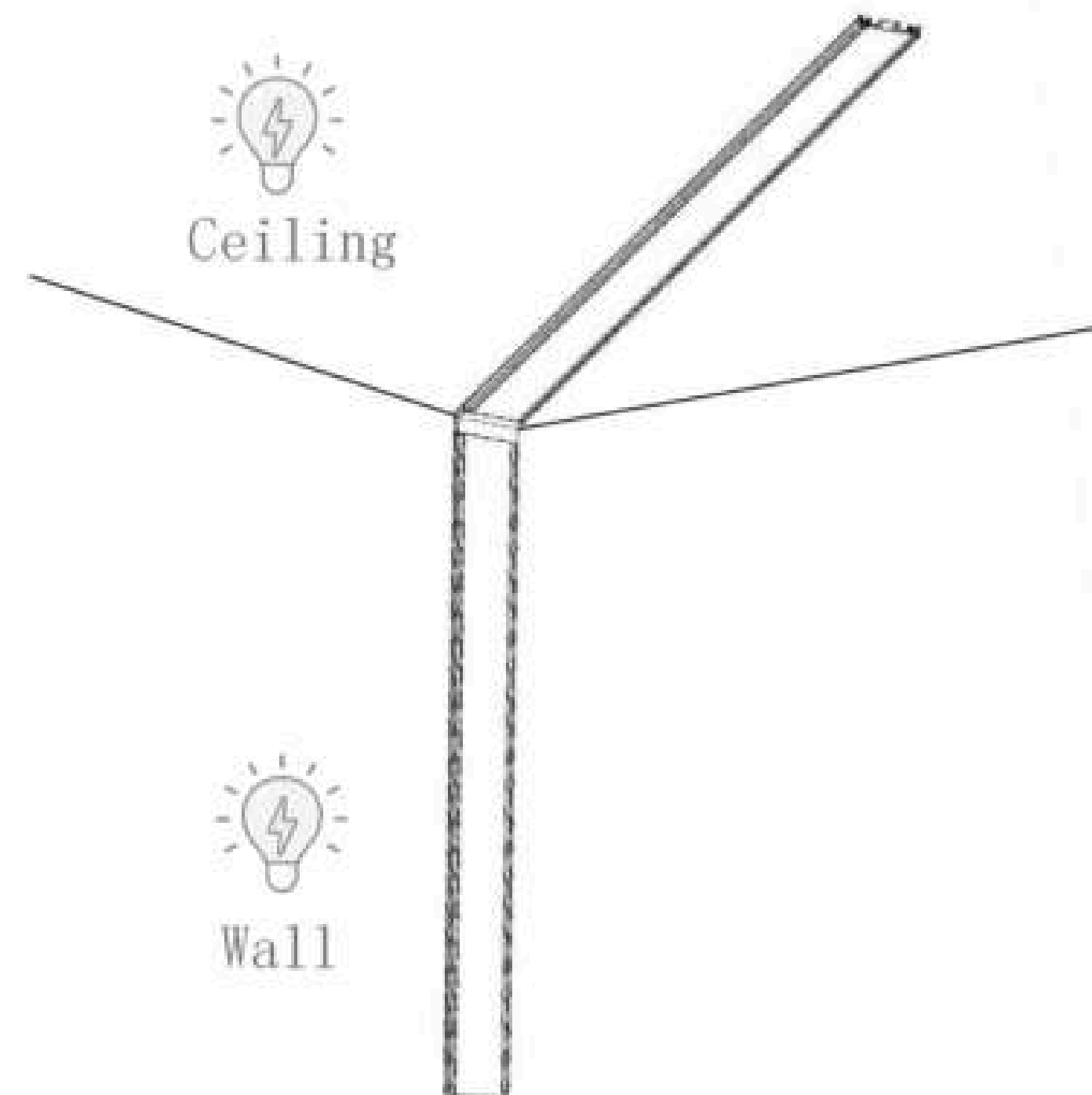


● Insert the copper pin of the module in the track under the copper bar



## In&Out Connect Module

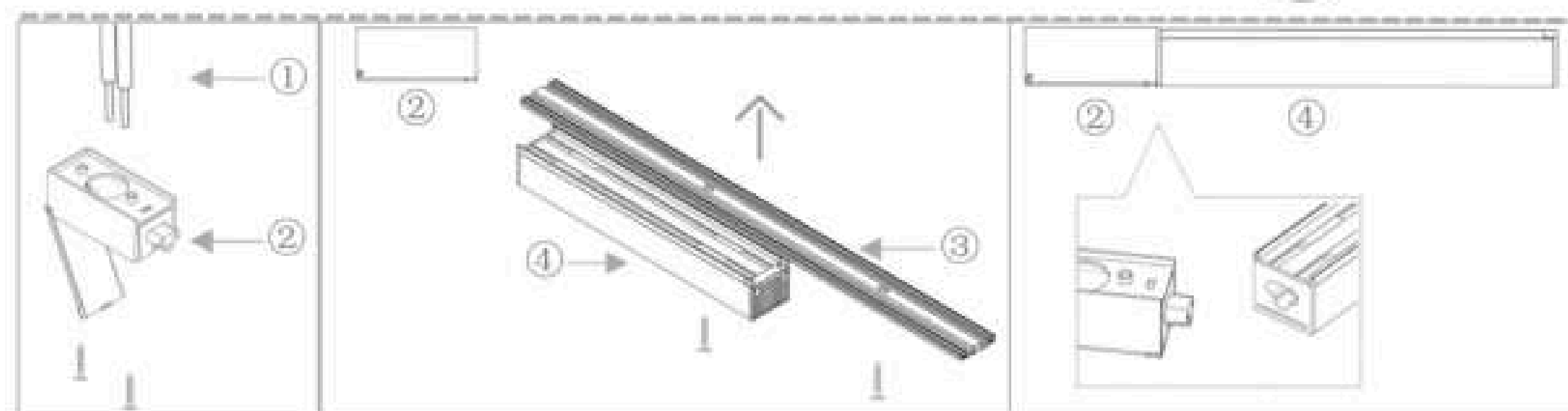
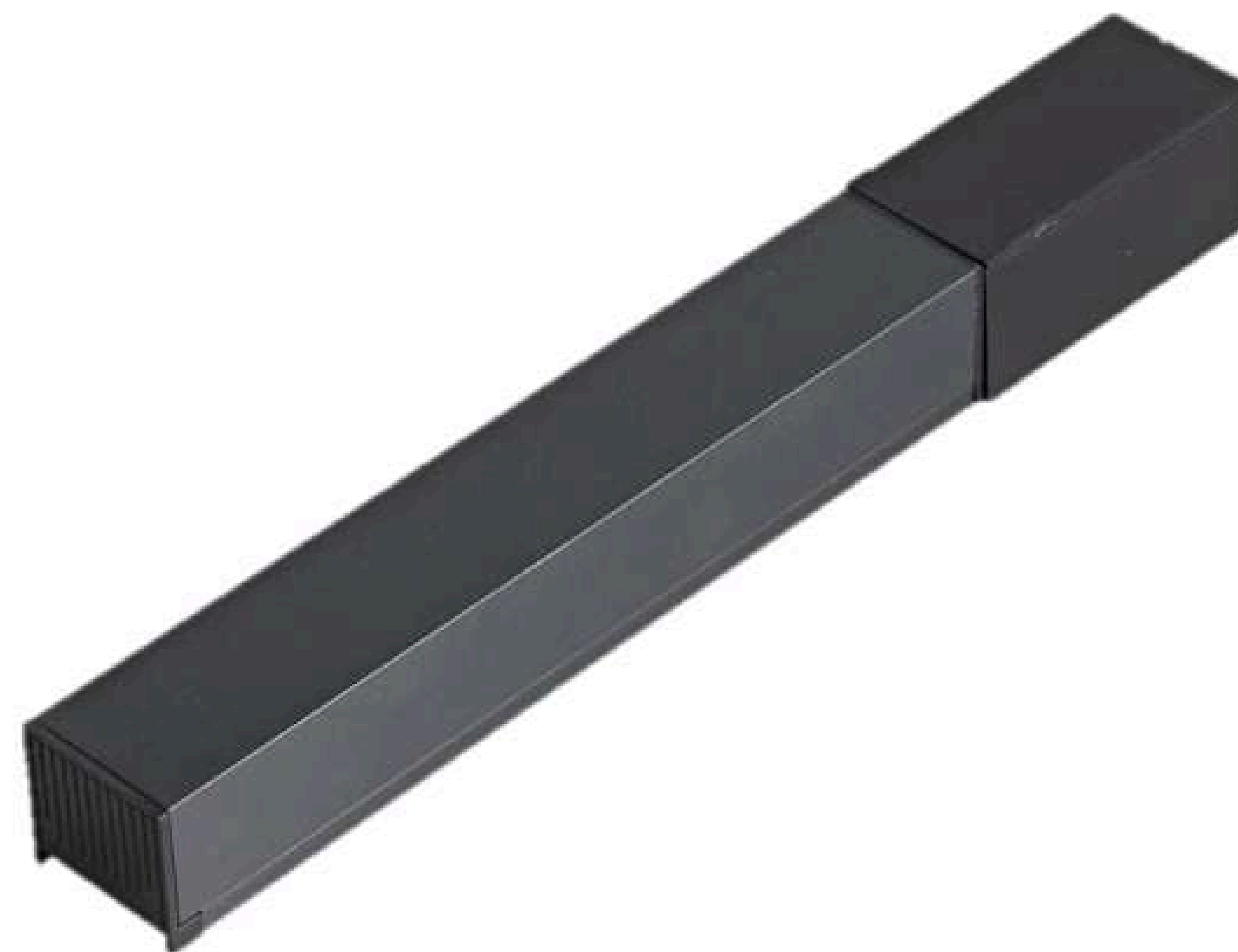
- Model No.: MS Cross Connect Module
- Color: White Black
- Material: PC&COPPER
- Dimension: 25\*25\*30mm



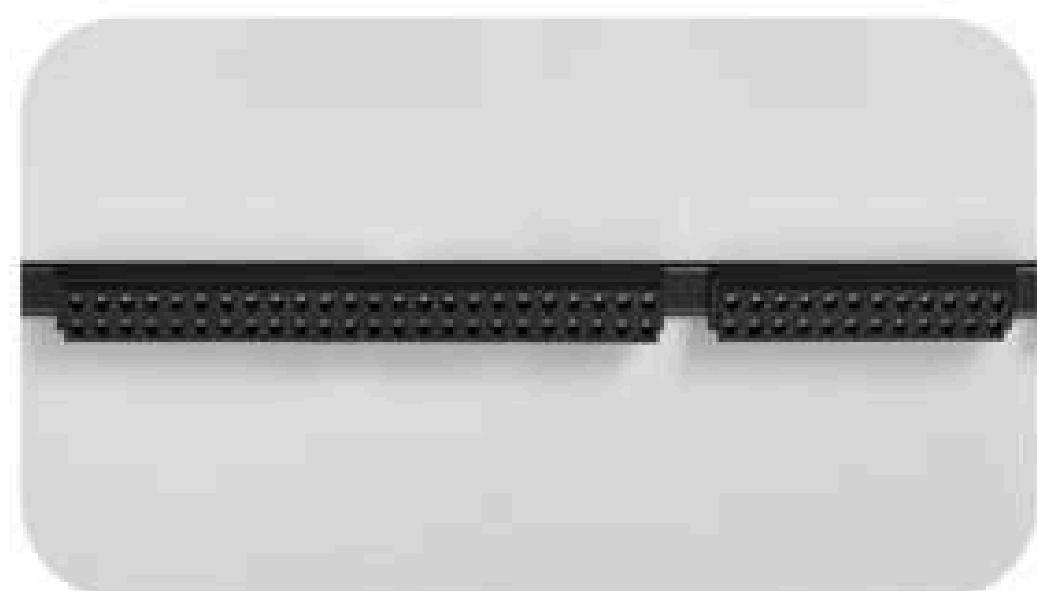
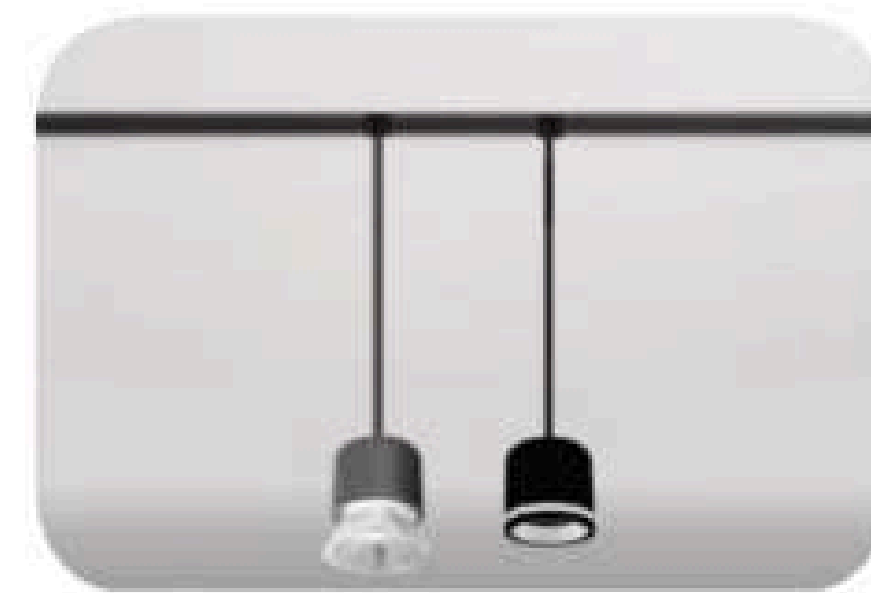
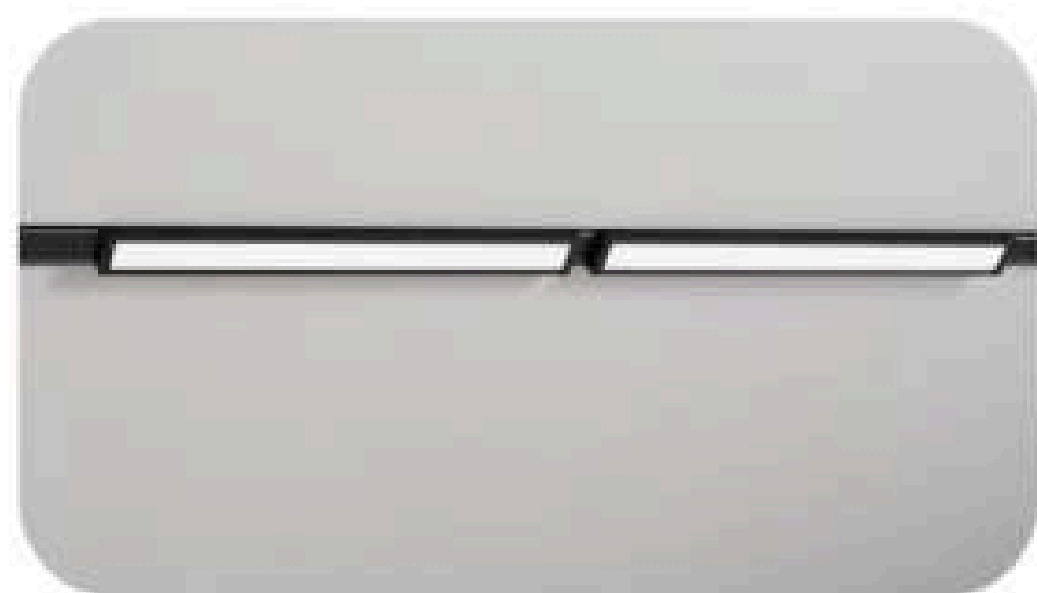
## Power Supply 200W&100W

Easy replace

- Model No.: MS30-SP200W MS30-SP100W
- Color: White Black
- Input Voltage: 190-245Vac
- Output Voltage: DC48V
- Output Current: 2.1A 4.2A
- Dimension: 32\*31\*220mm 32\*31\*280mm



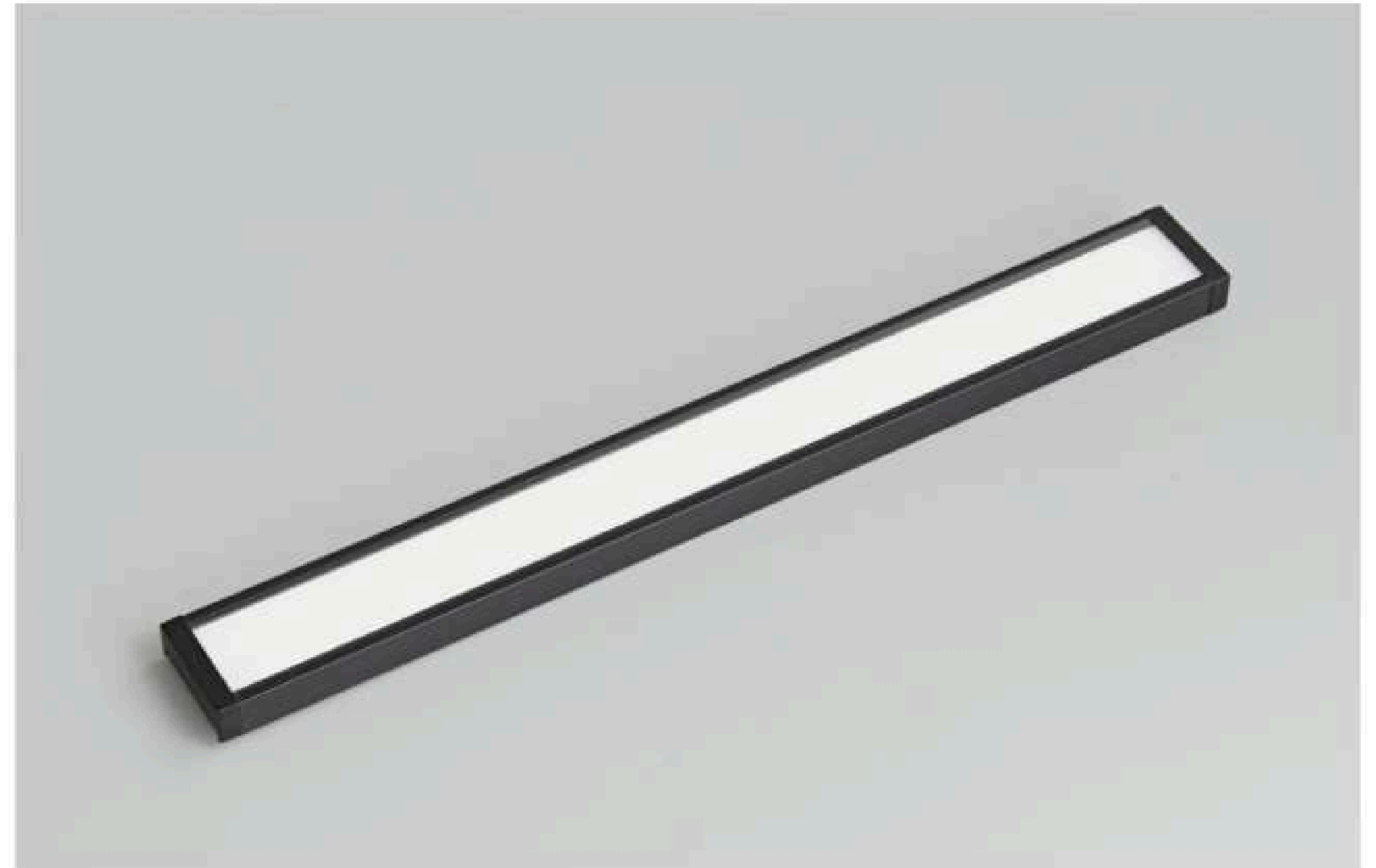
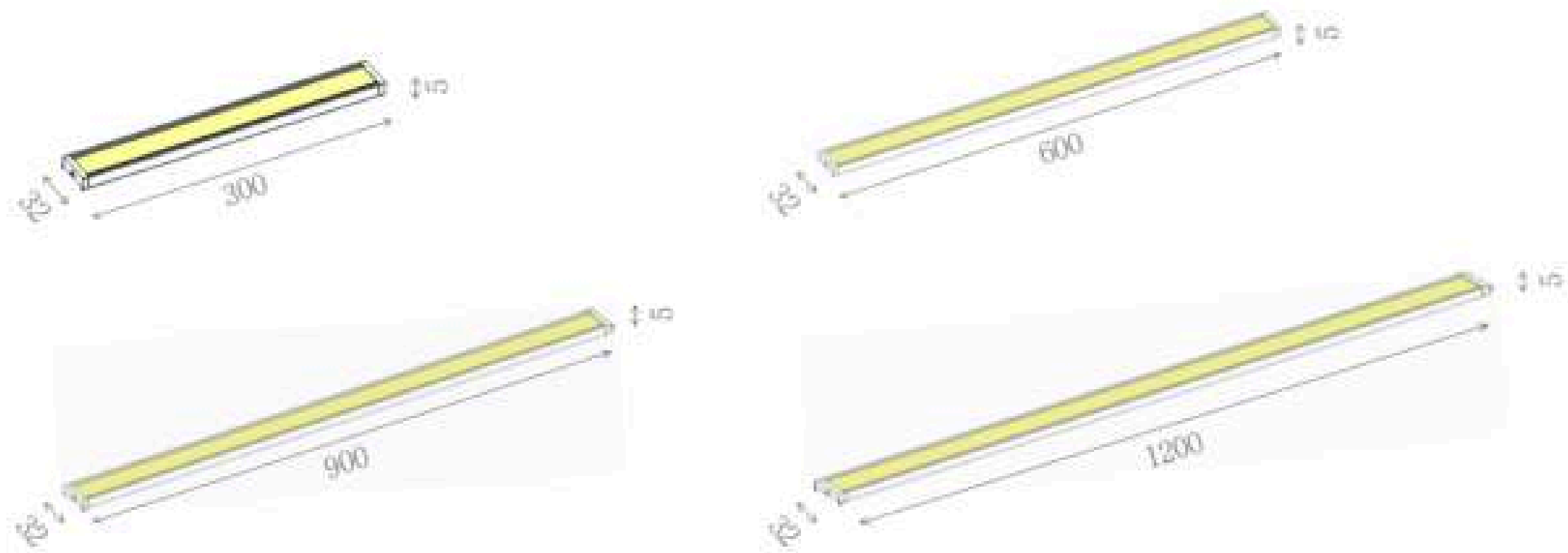
LIGHT MODULES



## Diffused Model

Basic light

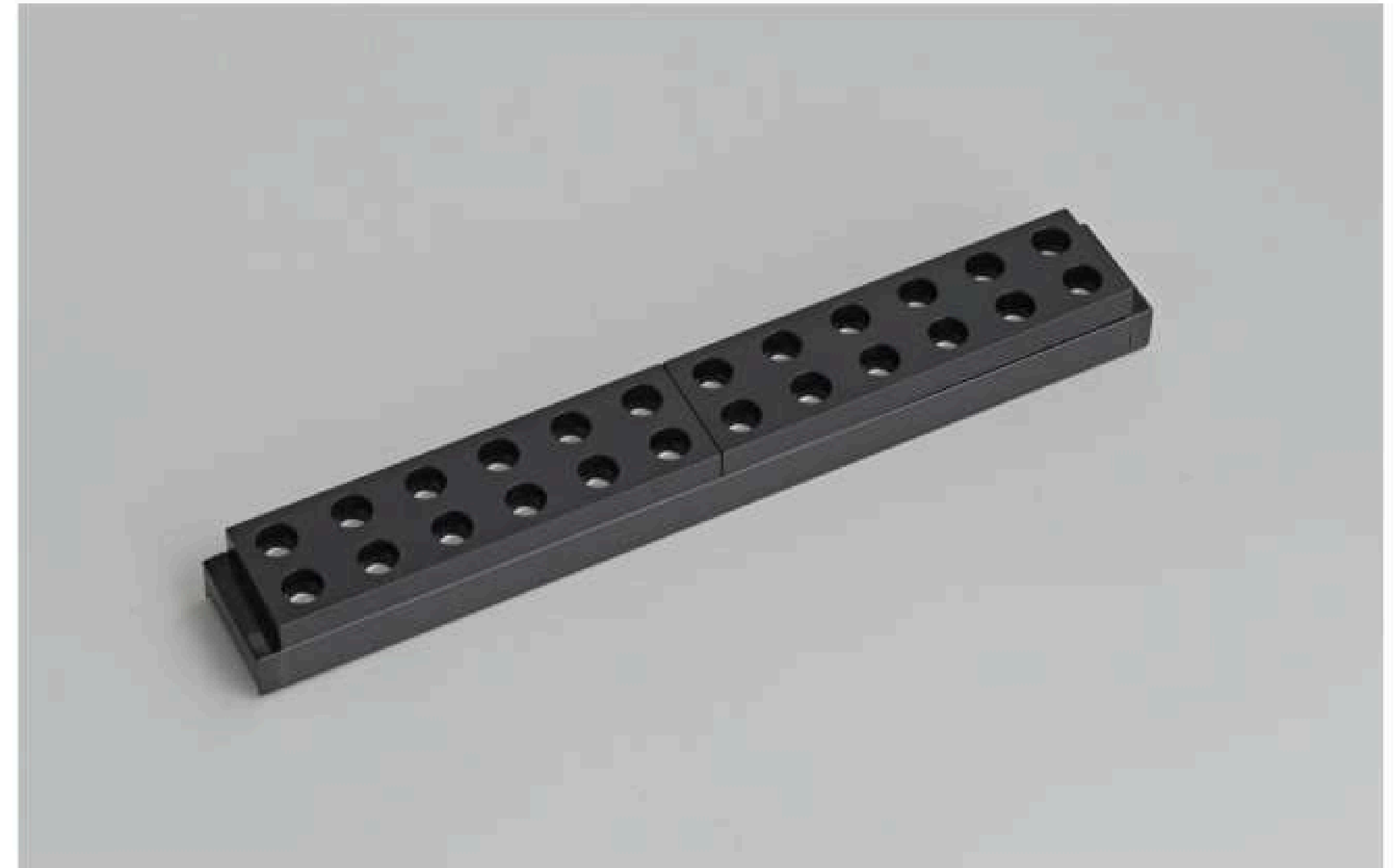
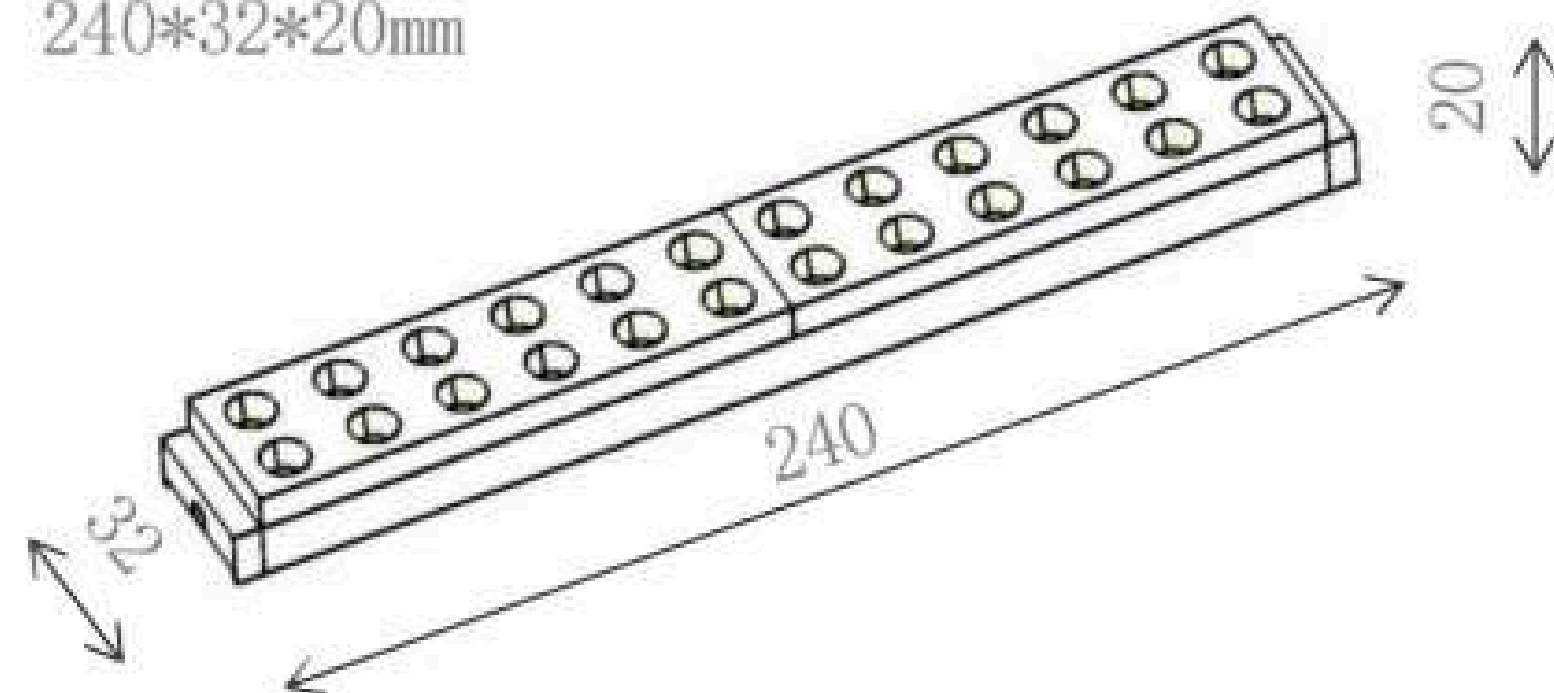
- Model No.: MS30-DF300/MS30-DF600/MS30-DF900/MS30-DF1200
- Color: White Black
- Input Voltage: DC48V
- Wattage: 12W/24W/36W/48W
- Beam Angle: 105°
- CCT: 3000K 4000K 5000K
- Ra: >90
- Dimension: 300\*32\*11mm/600\*32\*11mm/900\*32\*11mm/1200\*32\*11mm



## Grille Model

Anti-glare Focus light

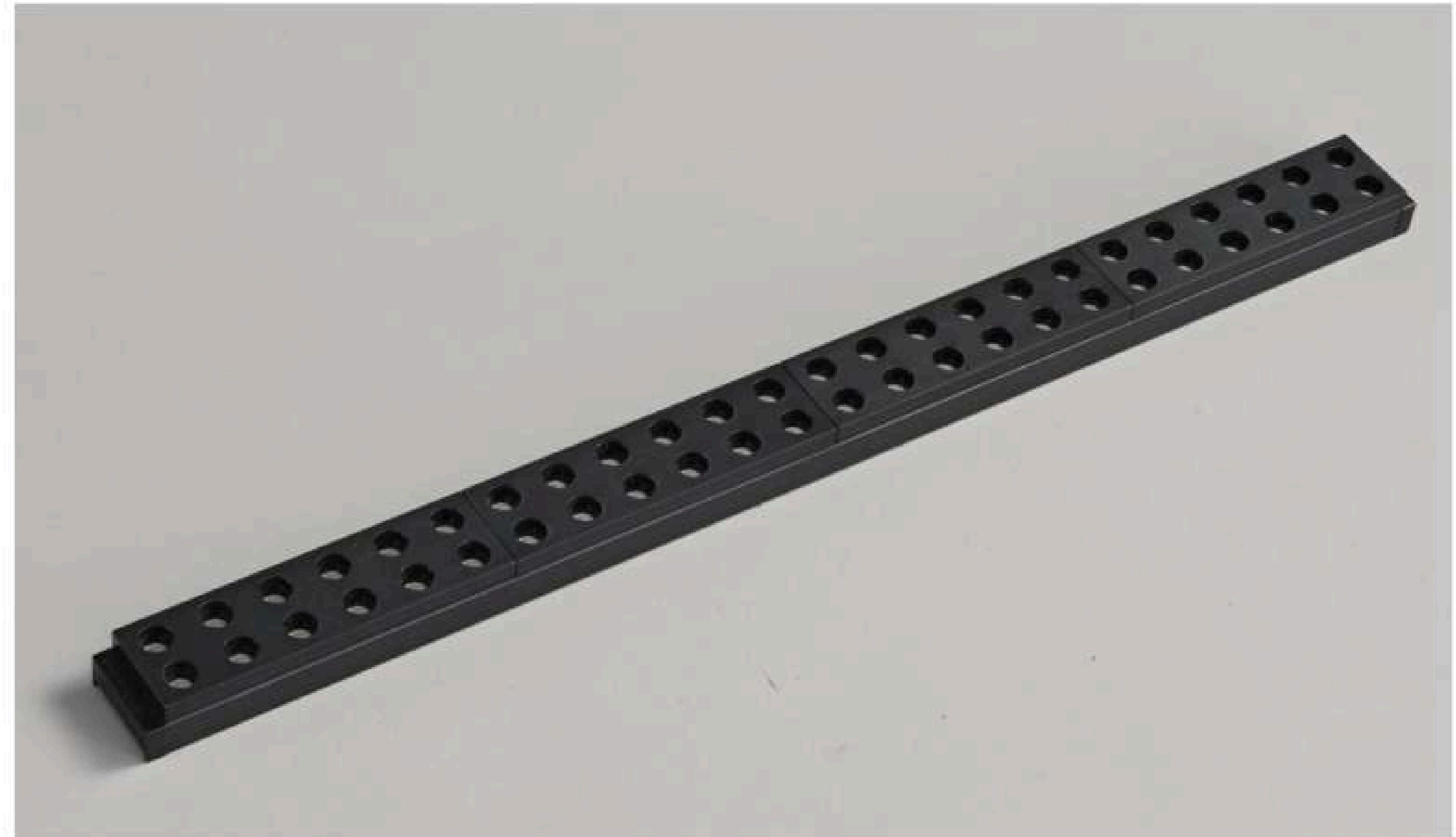
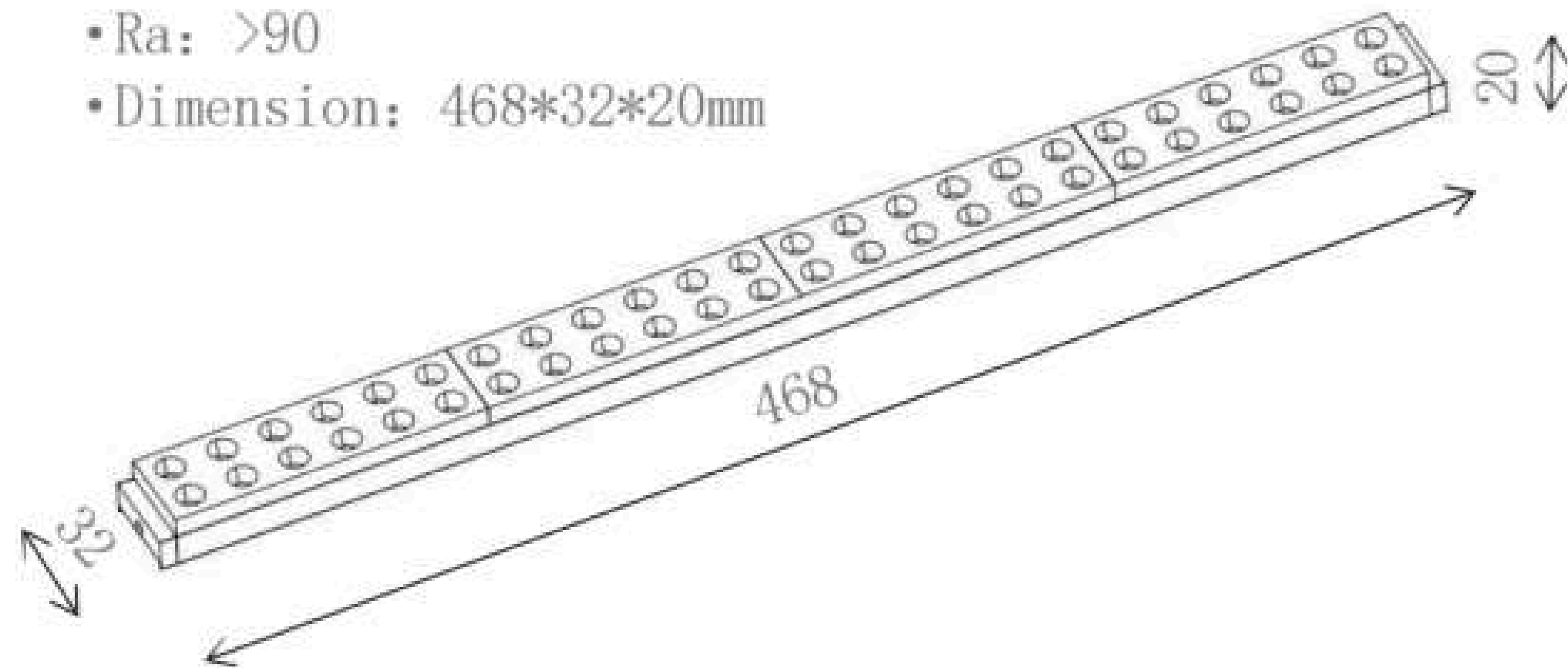
- Model No.: MS30-LB24
- Color: White Black
- Input Voltage: 48V
- Wattage: 10W
- Beam Angle: 30°
- CCT: 3000K 4000K 5000K
- Ra: >90
- Dimension: 240\*32\*20mm



## Grille Model

Anti-glare Focus light

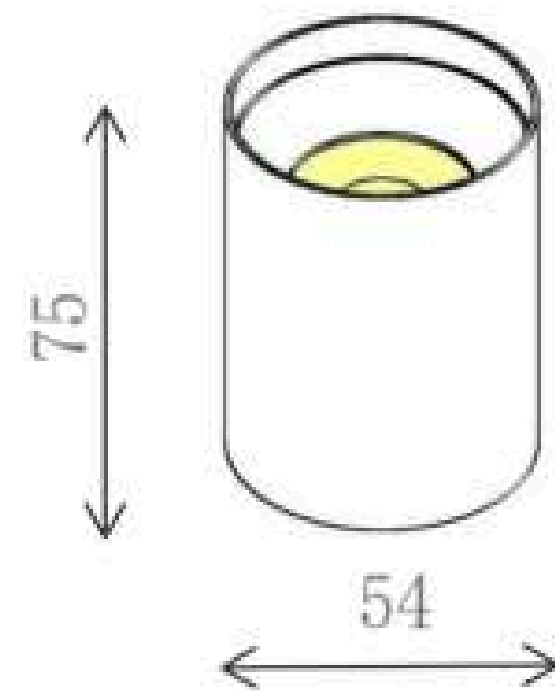
- Model No.: MS30-LB48
- Color: White Black
- Input Voltage: 48V
- Wattage: 20W
- Beam Angle: 30°
- CCT: 3000K 4000K 5000K
- Ra: >90
- Dimension: 468\*32\*20mm



## Round Downlight

Anti-glare Focus light

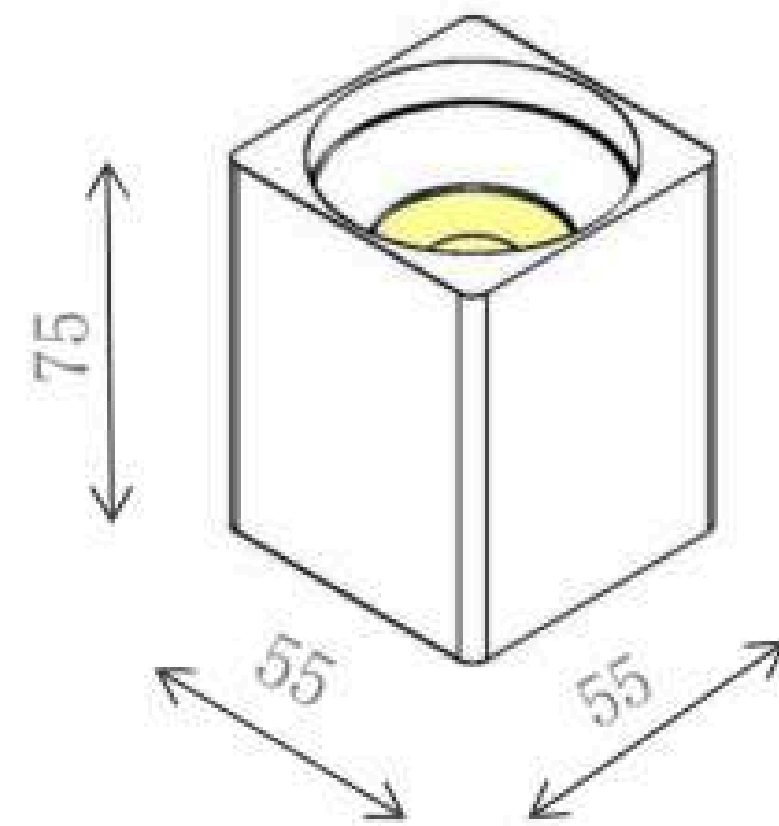
- Model No.: MS30-DR54
- Color: White Black
- Input Voltage: 48V
- Wattage: 7W
- Beam Angle: 24°
- CCT: 3000K 4000K 5000K
- Ra: >90
- Dimension:  $\varnothing$  54\*75mm



## Square Downlight

Anti-glare Focus light

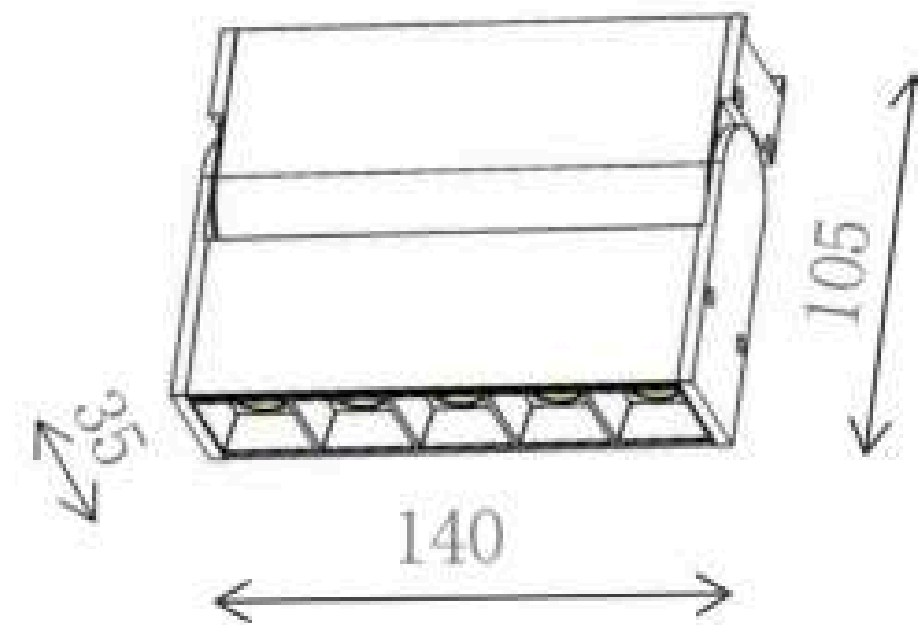
- Model No. : MS30-DS54
- Color: White Black
- Input Voltage: 48V
- Wattage: 7W
- Beam Angle: 24°
- CCT: 3000K 4000K 5000K
- Ra: >90
- Dimension: 55\*55\*75m



## Folded Grille light

Anti-glare Focus light

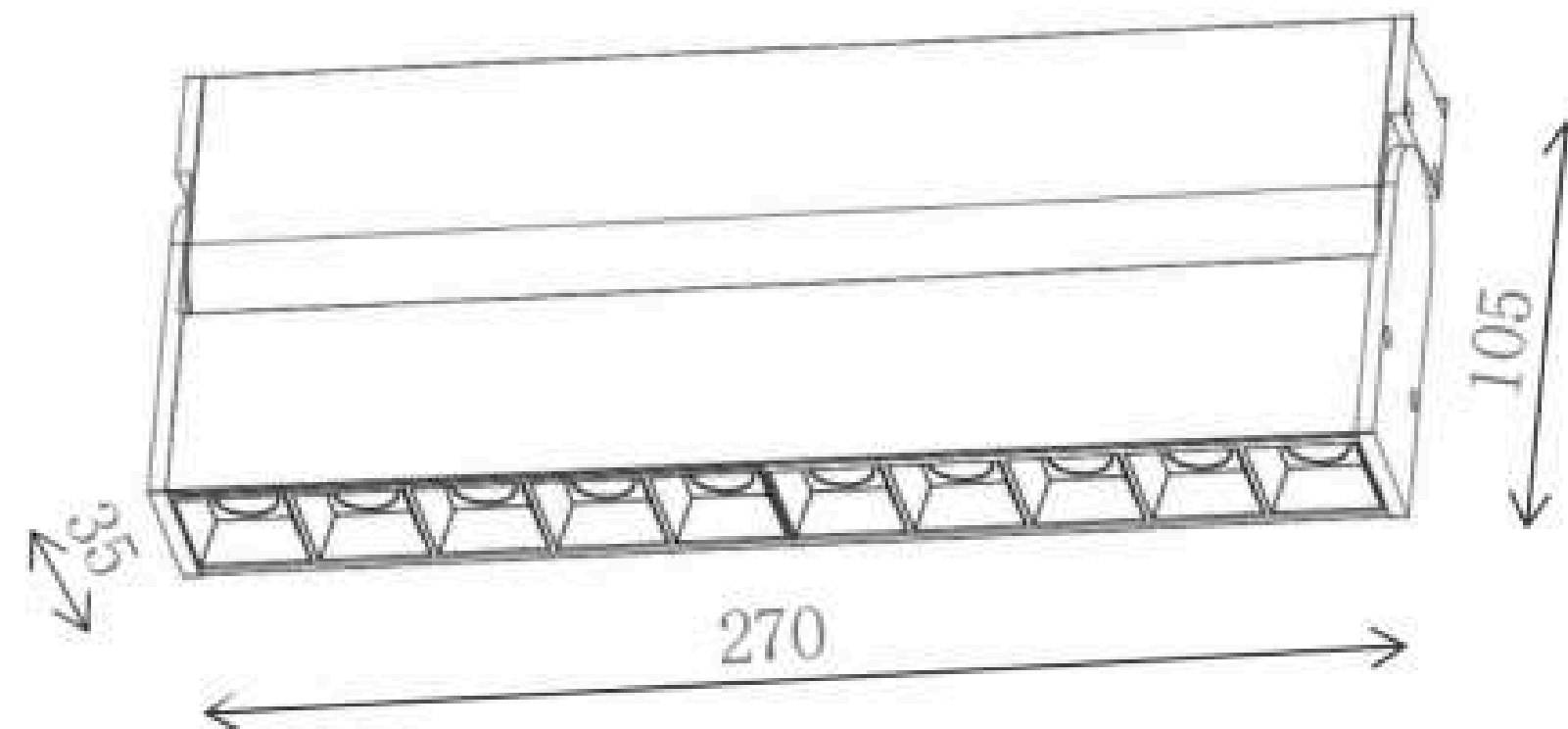
- Model No. : MS30-FD5
- Color: White Black
- Input Voltage: 48V
- Wattage: 10W
- Beam Angle: 30°
- CCT: 3000K 4000K 5000K
- Ra: >90
- Dimension: 140\*35\*105mm



## Folded Grille light

Anti-glare Focus light

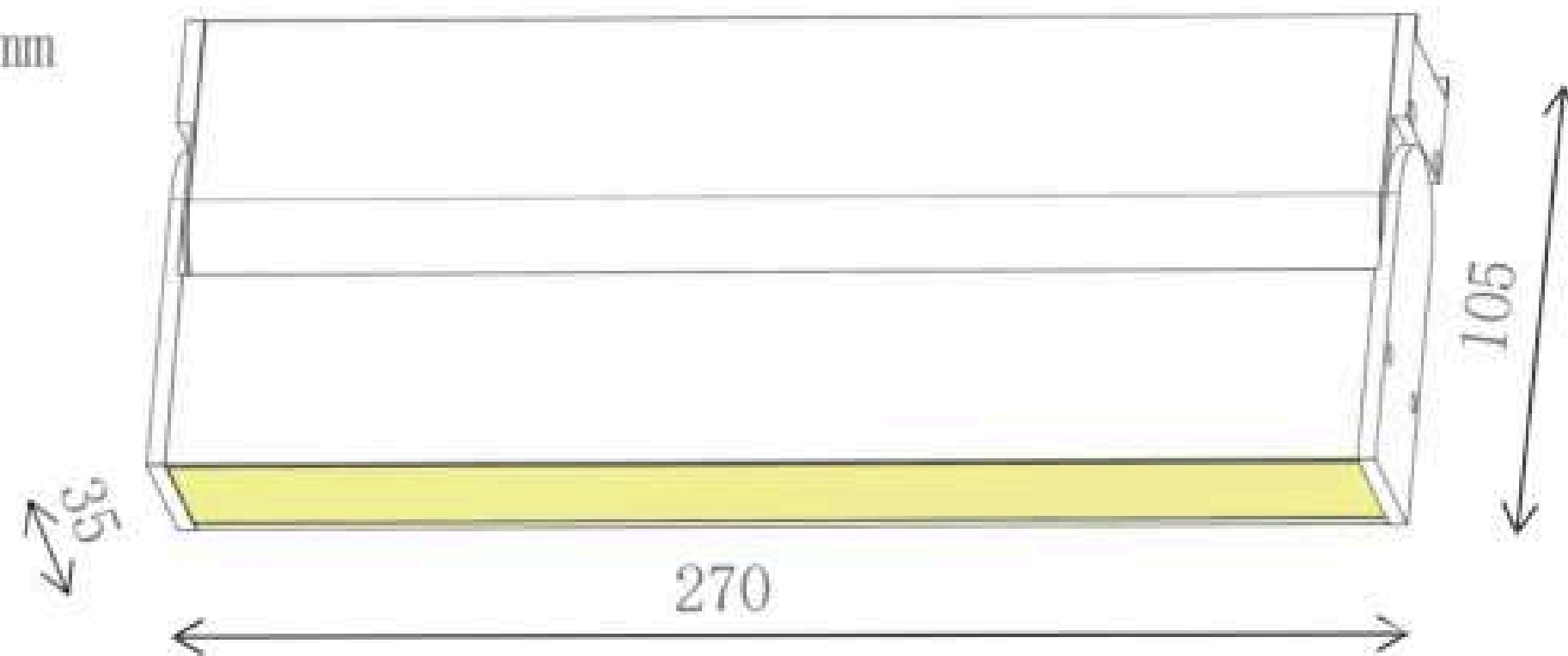
- Model No. : MS30-FD10
- Color: White Black
- Input Voltage: 48V
- Wattage: 20W
- Beam Angle: 30°
- CCT: 3000K 4000K 5000K
- Ra: >90
- Dimension: 270\*35\*105mm



## Folded Grille light

Rotable Diffused light

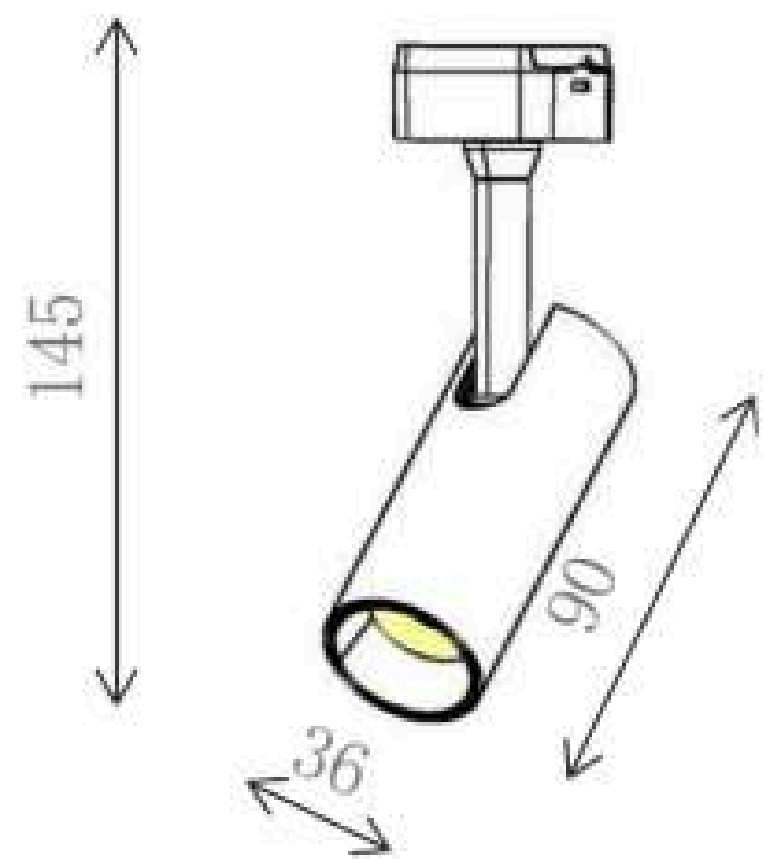
- Model No. : MS30-FD10D
- Color: White Black
- Input Voltage: 48V
- Wattage: 12W
- Beam Angle: 105°
- CCT: 3000K 4000K 5000K
- Ra: >90
- Dimension: 270\*35\*105mm



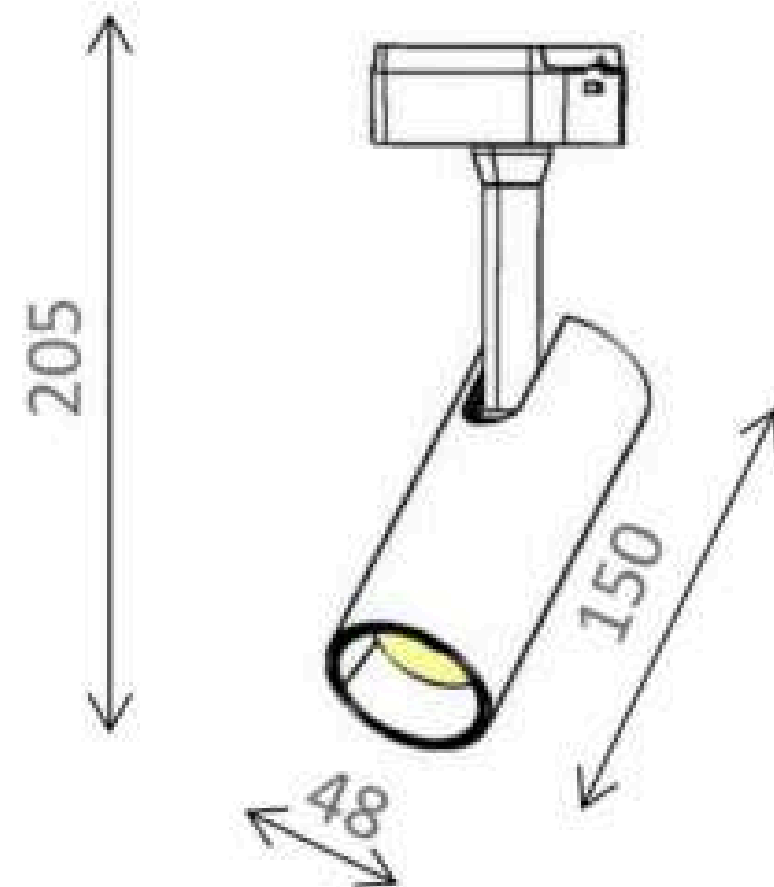
## Track light

### Anti-glare Focus light

- Model No. : MS30-TL7
- Color: White Black
- Input Voltage: 48V
- Wattage: 7W
- Beam Angle: 24°
- CCT: 3000K 4000K 5000K
- Ra: >90
- Dimension:  $\varnothing$  36\*90\*145mm



- Model No. : MS30-TL12
- Color: White Black
- Input Voltage: 48V
- Wattage: 12W
- Beam Angle: 24°
- CCT: 3000K 4000K 5000K
- Ra: >90
- Dimension:  $\varnothing$  48\*150\*205mm

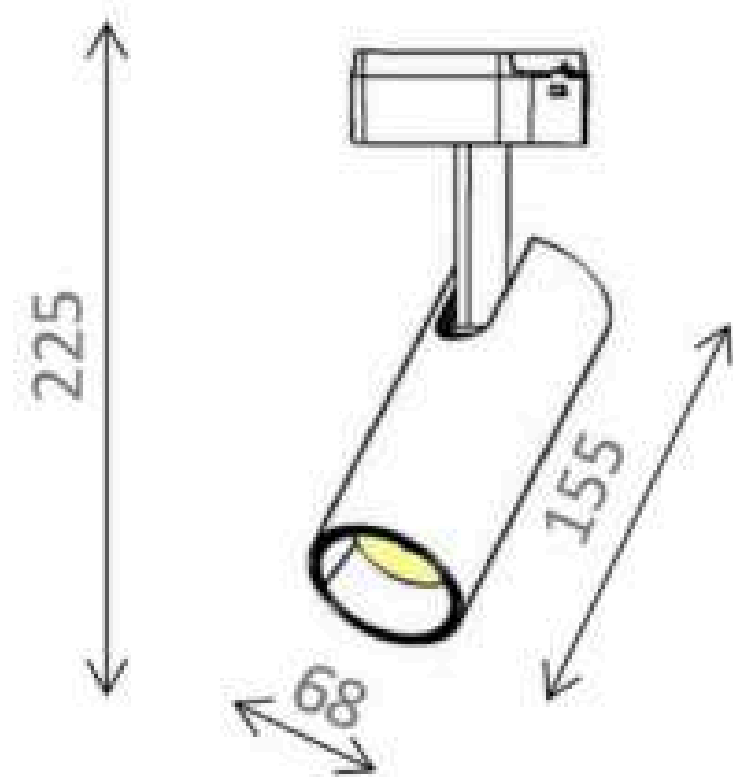
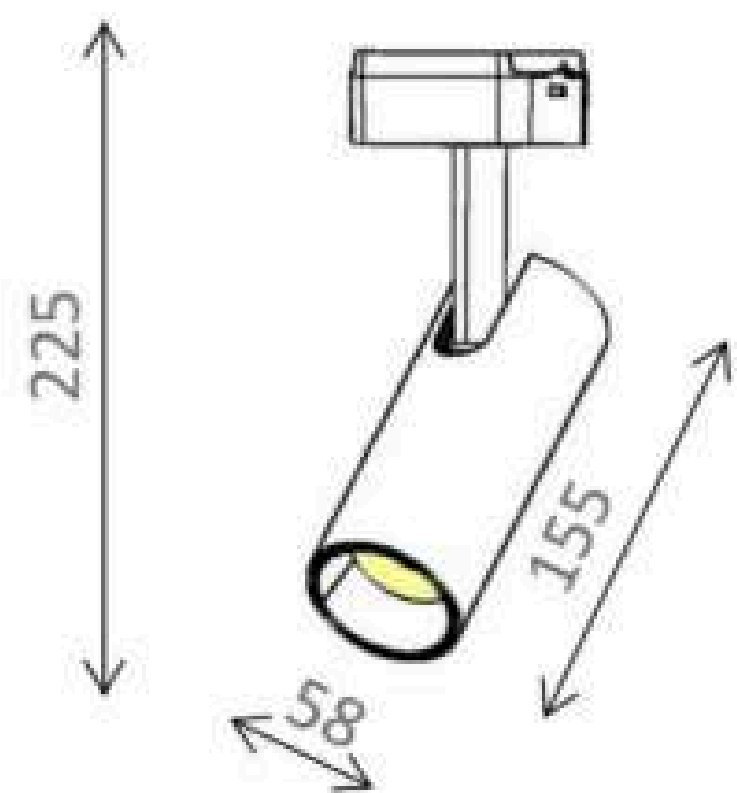


# Track light

## Anti-glare Focus light

- Model No. : MS30-TL18
- Color: White Black
- Input Voltage: 48V
- Wattage: 18W
- Beam Angle: 24°
- CCT: 3000K 4000K 5000K
- Ra: >90
- Dimension:  $\varnothing$  58\*155\*225mm

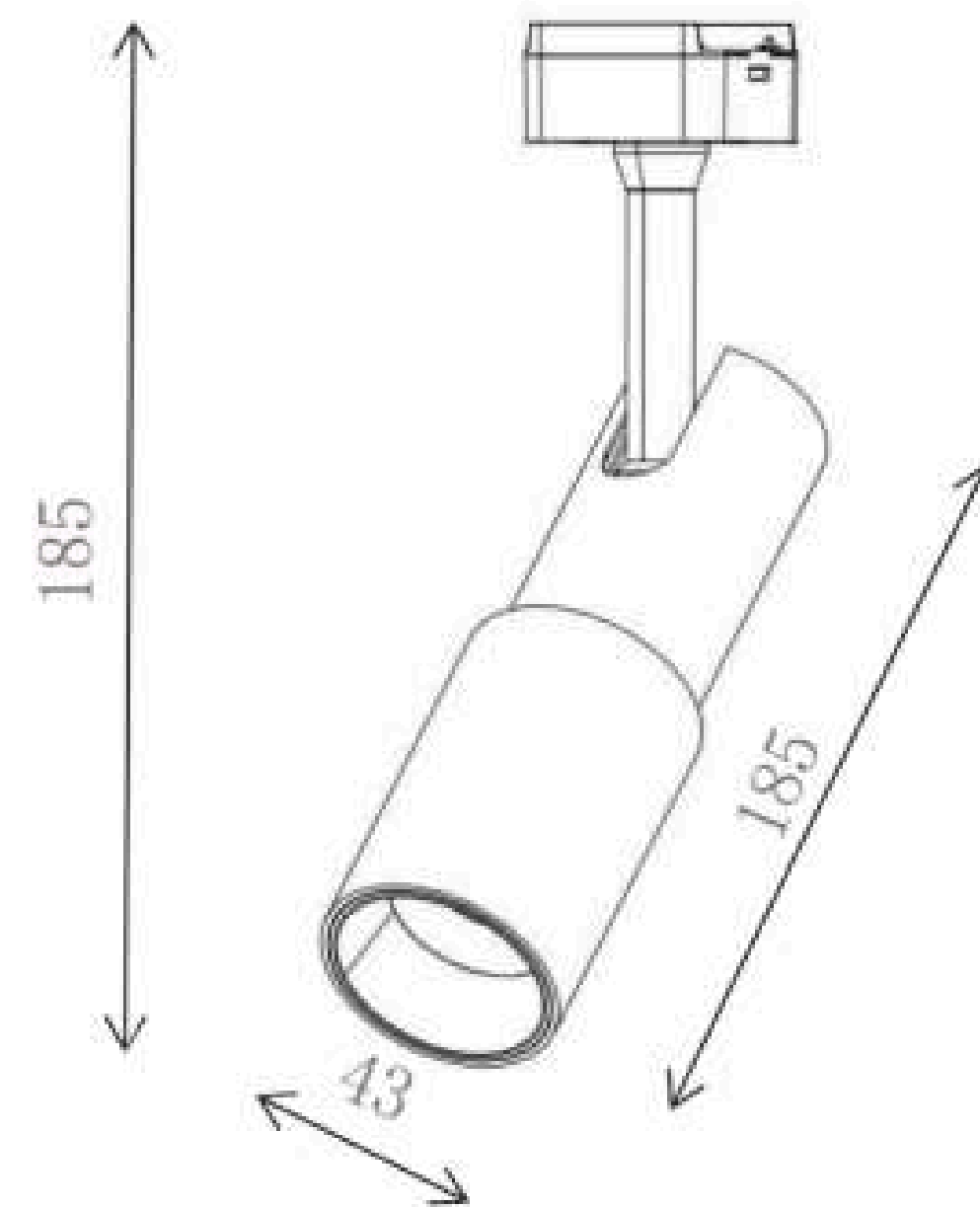
- Model No. : MS30-TL30
- Color: White Black
- Input Voltage: 48V
- Wattage: 30W
- Beam Angle: 24°
- CCT: 3000K 4000K 5000K
- Ra: >90
- Dimension:  $\varnothing$  68\*155\*225mm



## Track light-Focus Ajustable

Anti-glare Focus light

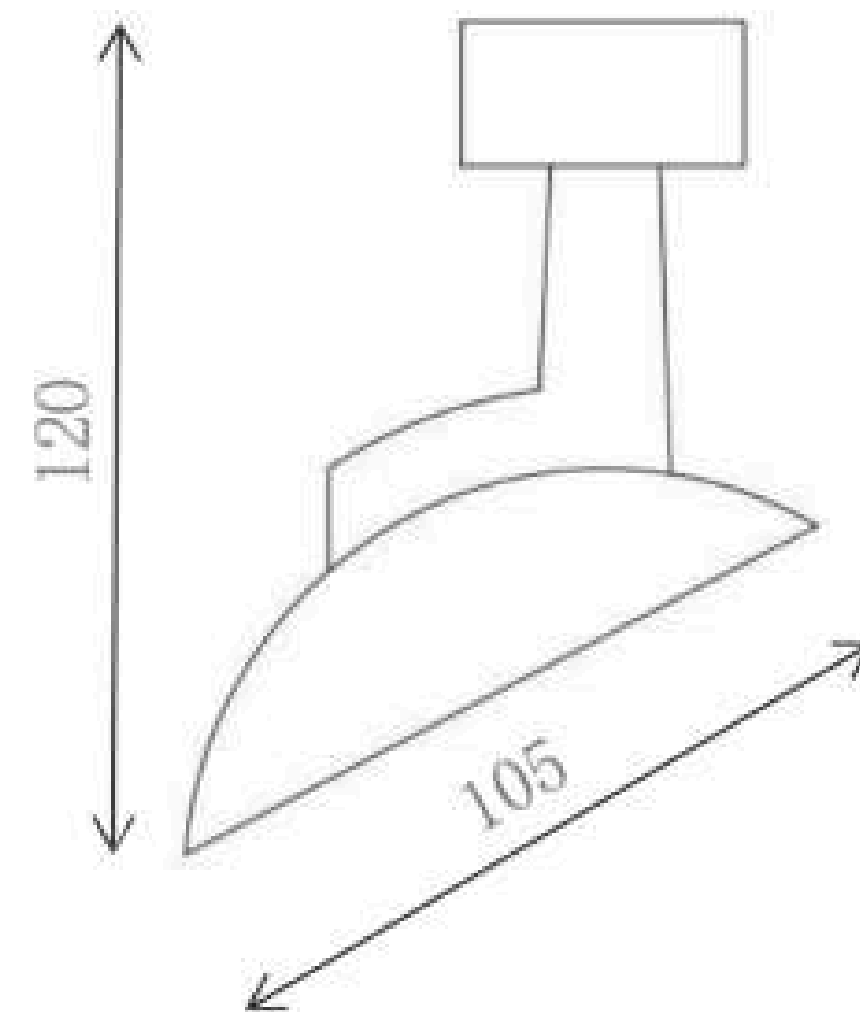
- Model No. : MS30-TL7/FA
- Color: White Black
- Input Voltage: 48V
- Wattage: 7W
- Beam Angle: 10-60°
- CCT: 3000K 4000K 5000K
- Ra: >90
- Dimension:  $\varnothing 43*185*185\text{mm}$



## Track light-Shell

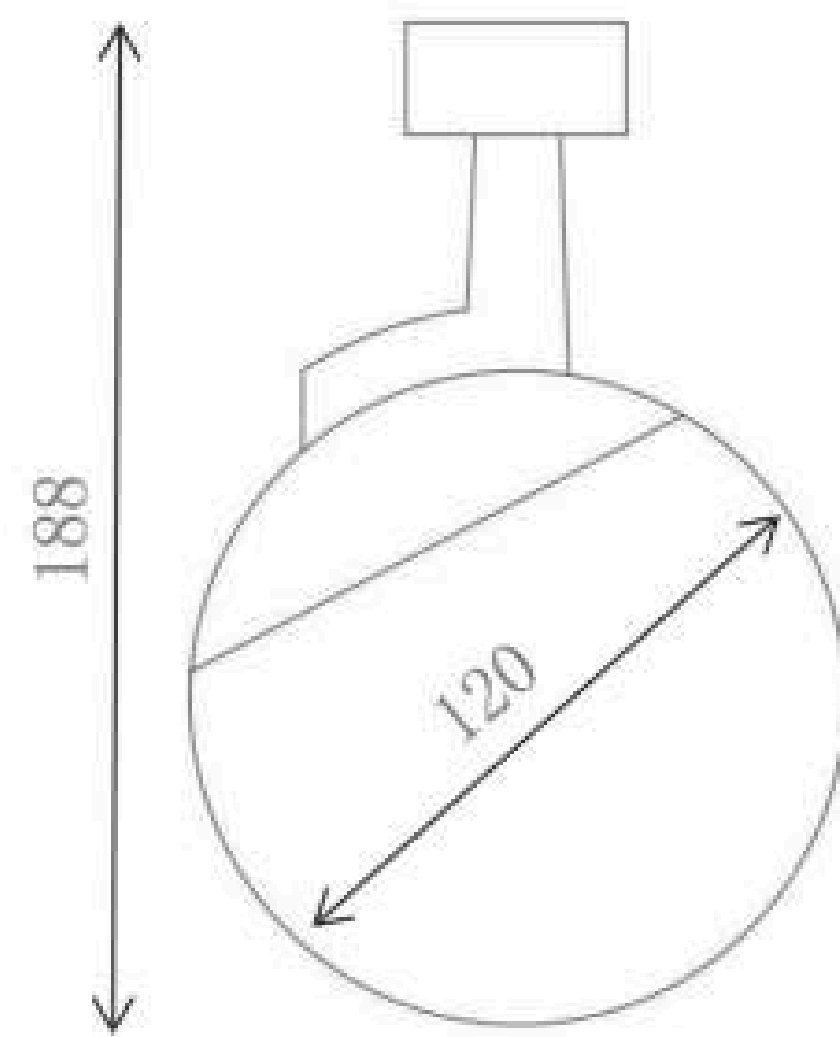
Anti-glare Focus light

- Model No. : MS30-TS7
- Color: White Black
- Input Voltage: 48V
- Wattage: 7W
- Beam Angle: 24°
- CCT: 3000K 4000K 5000K
- Ra: >90
- Dimension:  $\varnothing$  105\*120mm



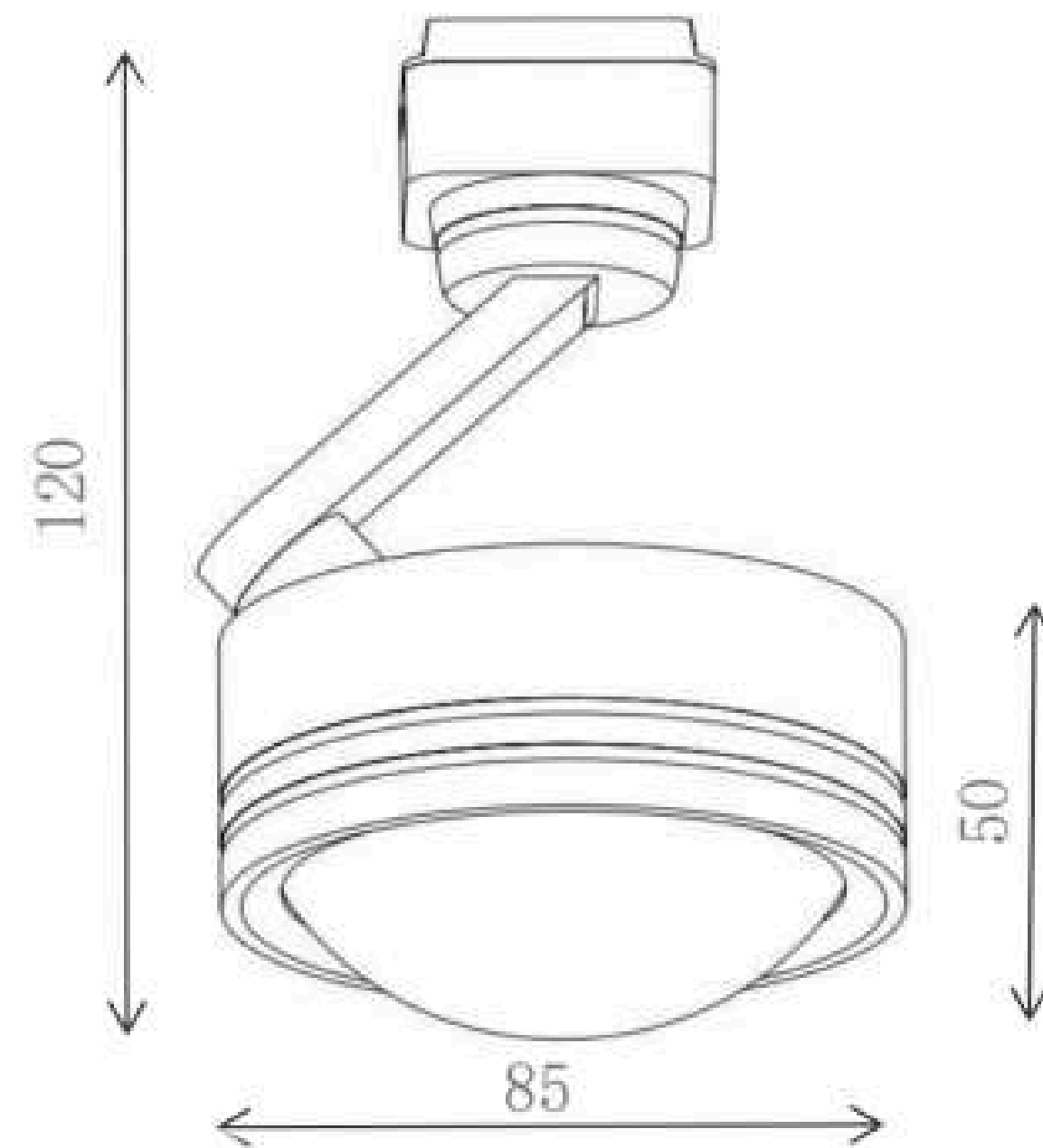
## Track light-Pearl

- Model No. : MS30-TP7
- Color: White Black
- Input Voltage: 48V
- Wattage: 7W
- Beam Angle: 180°
- CCT: 3000K 4000K 5000K
- Ra: >90
- Dimension:  $\varnothing$  120\*188mm



## Track light-Moon Stone

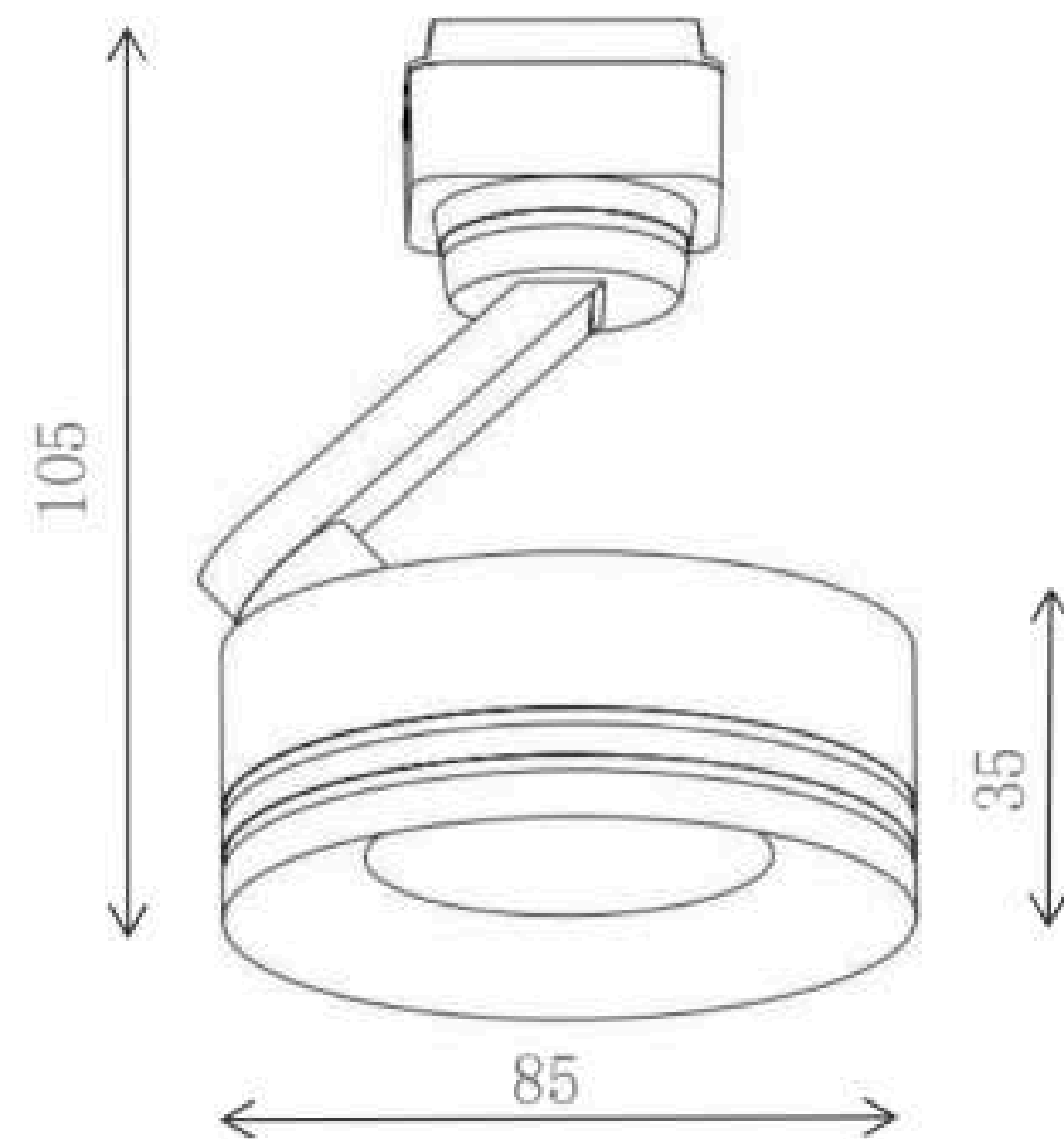
- Model No. : MS30-TM7
- Color: White Black
- Input Voltage: 48V
- Wattage: 7W
- Beam Angle: 90°
- CCT: 3000K 4000K
- Ra: >90
- Dimension:  $\phi 85*50*120\text{mm}$



## Track light-Moon Stone/L

Anti-glare Focus light

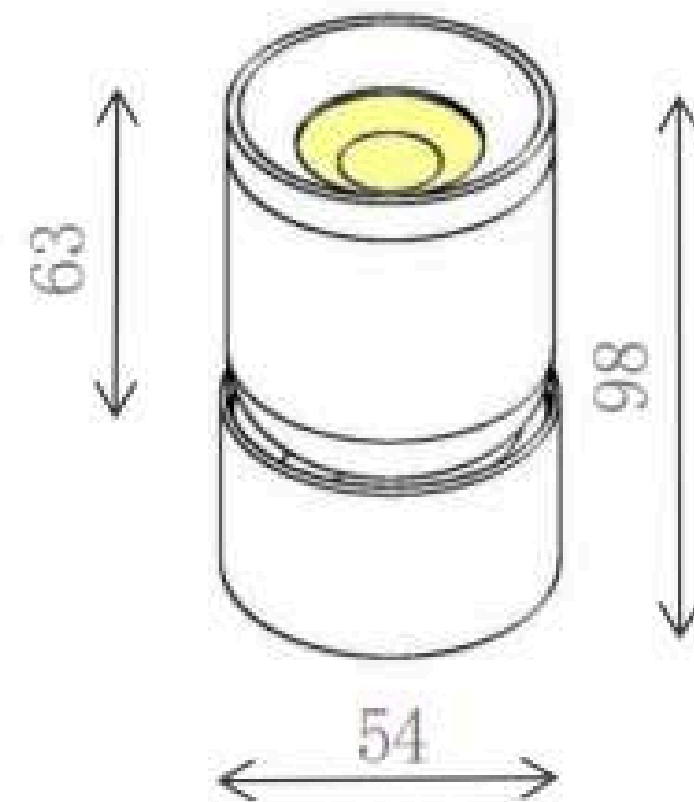
- Model No. : MS30-TML7
- Color: White Black
- Input Voltage: 48V
- Wattage: 7W
- Beam Angle: 24°
- CCT: 3000K 4000K 5000K
- Ra: >90
- Dimension:  $\phi 85*35*105\text{mm}$



## Rotatable Round Spotlight

Anti-glare Focus light

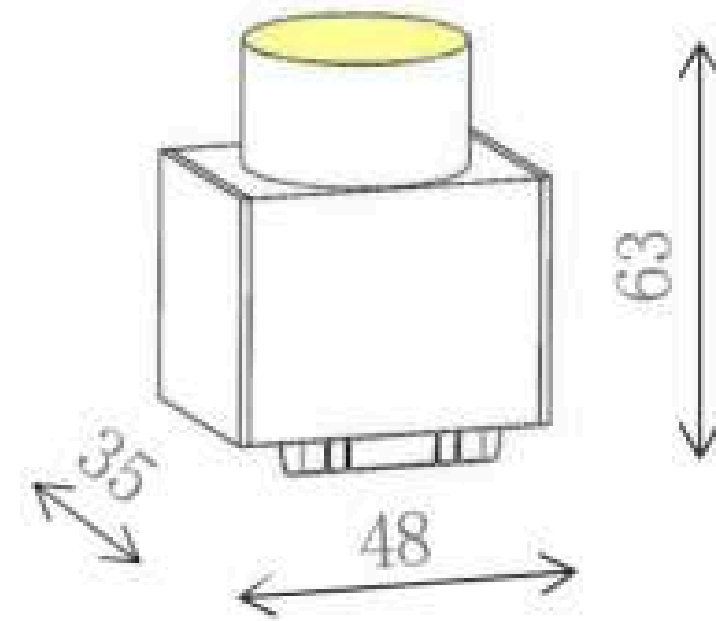
- Model No.: MS30-DR54R
- Color: White Black
- Input Voltage: 48V
- Wattage: 7W
- Beam Angle: 24°
- CCT: 3000K 4000K 5000K
- Ra: >90
- Dimension:  $\varnothing 54*63*98\text{mm}$



# Elfin Spotlight

Anti-glare Focus light

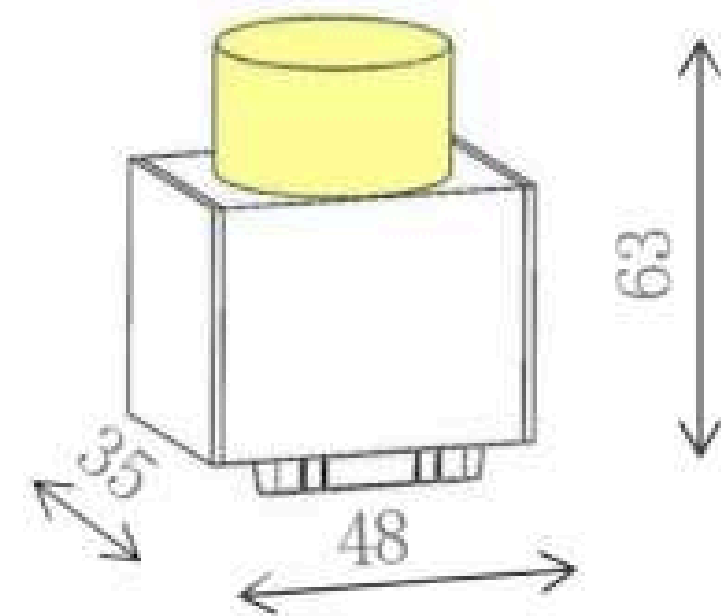
- Model No.: MS30-SP1
- Color: White Black
- Input Voltage: 48V
- Wattage: 6W
- Beam Angle: 36°
- CCT: 3000K 4000K 5000K
- Ra: >90
- Dimension: 48\*35\*63mm



## Elfin Arc light

Decorated light

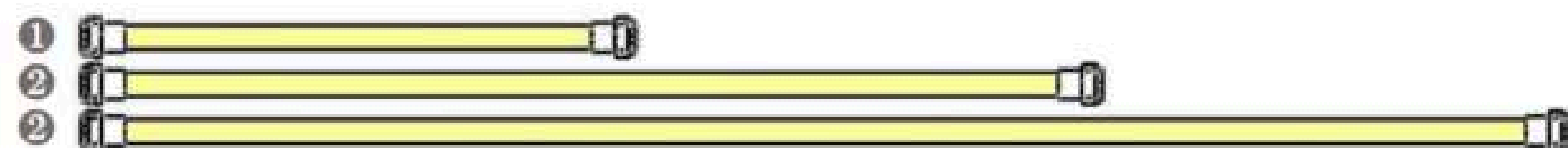
- Model No.: MS30-SA1
- Color: White Black
- Input Voltage: 48V
- Wattage: 4W
- Beam Angle: 80°
- CCT: 3000K 4000K 5000K
- Ra: >90
- Dimension: 48\*35\*63mm



## FLEXIBLE TUBE MODULE

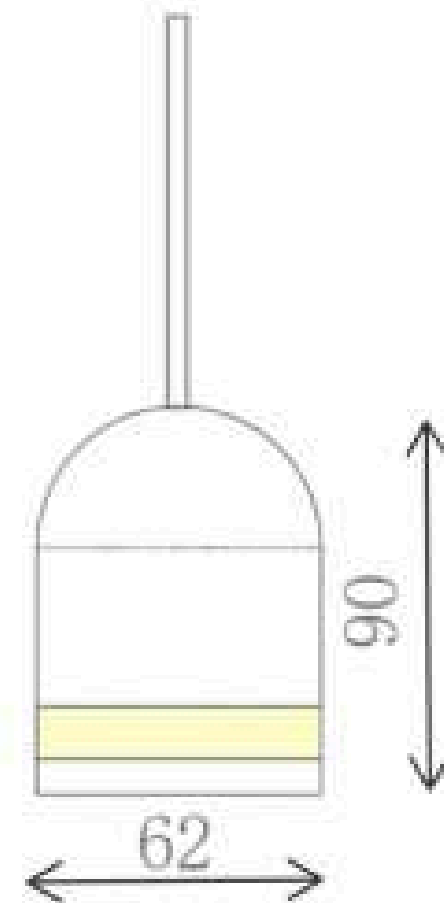
---

- Model No. : MS30-FT500 / MS30-FT1000 / MS30-FT1500
- Color: White Black
- Input Voltage: 48V
- Wattage: 7W/14W/21W
- Beam Angle: 360°
- CCT: 3000K 4000K 5000K
- Ra: >90
- Dimension:  $\varnothing$  22\*500mm/ $\varnothing$  22\*1000mm/ $\varnothing$  22\*1500mm



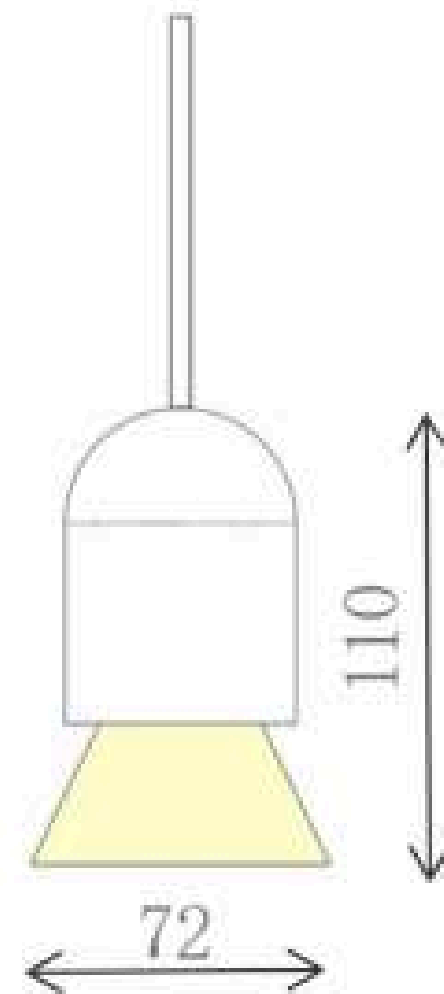
## HANGING LIGHT MODULE

- Model No. : MS30-HS7W
- Color: White Black
- Input Voltage: 48V
- Wattage: 7W
- Beam Angle: 24°
- CCT: 3000K 4000K 5000K
- Ra: >90
- Dimension:  $\varnothing$  62\*90mm



## HANGING LIGHT MODULE

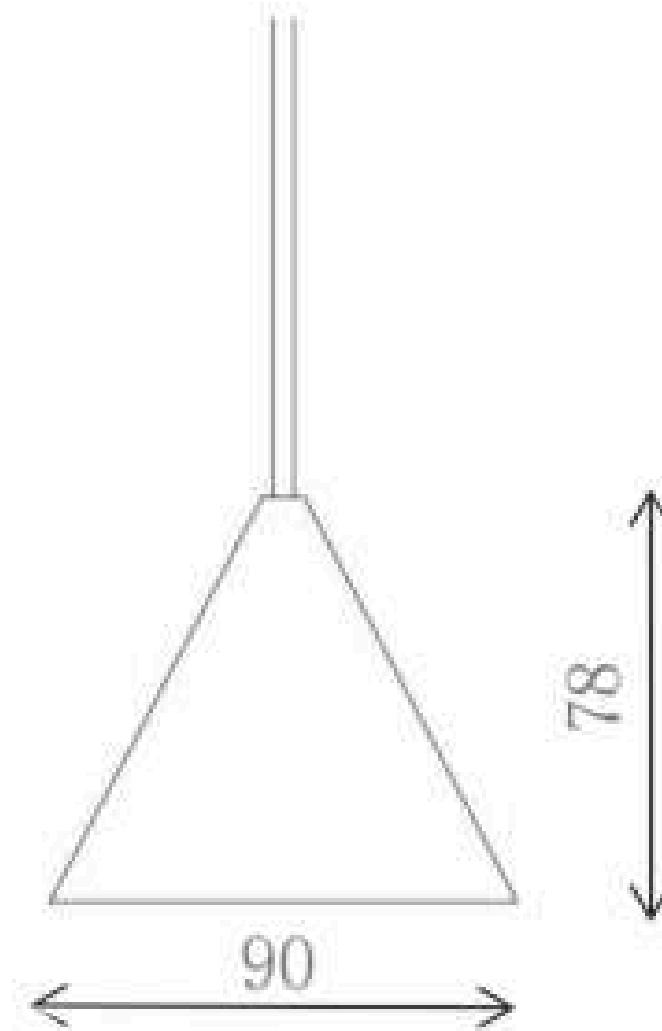
- Model No. : MS30-HC7W
- Color: White Black
- Input Voltage: 48V
- Wattage: 7W
- Beam Angle: 24°
- CCT: 3000K 4000K 5000K
- Ra: >90
- Dimension:  $\varnothing$  72\*110mm



## HANGING LIGHT MODULE

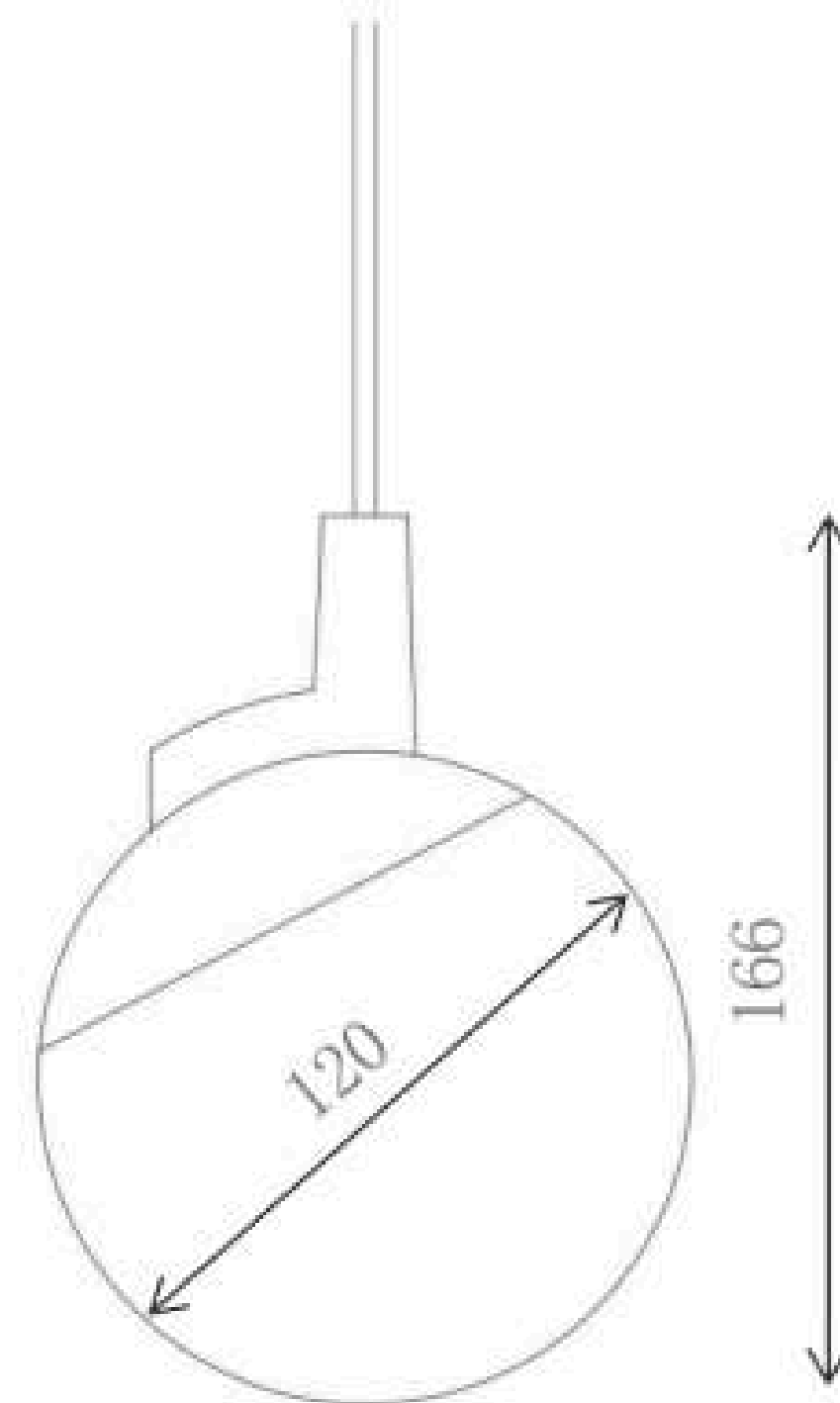
---

- Model No. : MS30-HZ7W
- Color: White Black
- Input Voltage: 48V
- Wattage: 7W
- Beam Angle: 24°
- CCT: 3000K 4000K 5000K
- Ra: >90
- Dimension:  $\varnothing$  90\*78mm

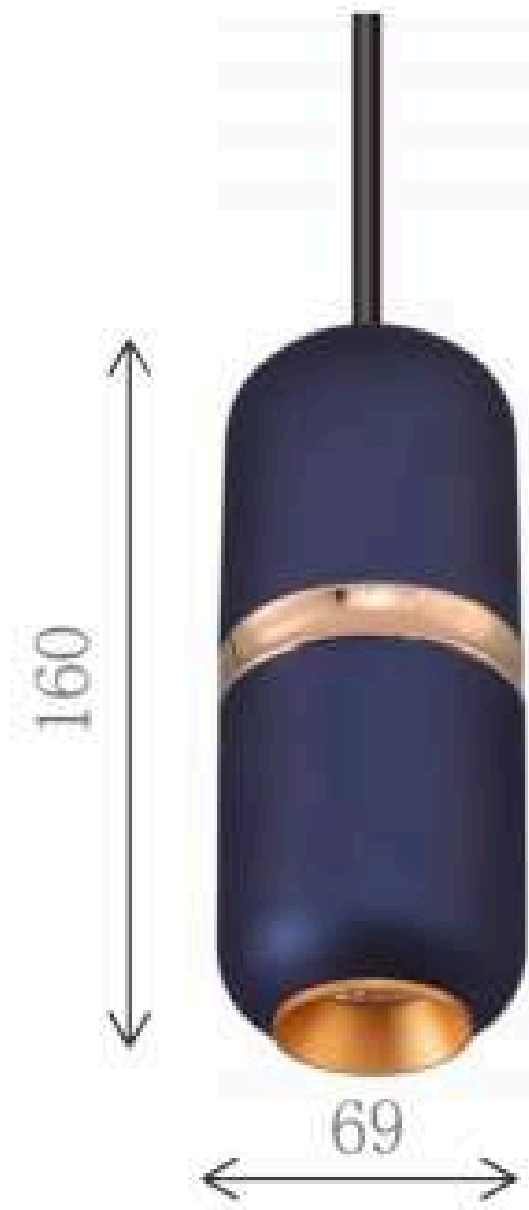


## HANGING LIGHT MODULE

- Model No. : MS30-HR7W
- Color: White Black
- Input Voltage: 48V
- Wattage: 7W
- Beam Angle: 180°
- CCT: 3000K 4000K 5000K
- Ra: >90
- Dimension:  $\phi 120 \times 166 \text{mm}$



## HANGING LIGHT MODULE



- Model No.: MS30-PD006
- Input Voltage: 48V
- Wattage: 7W
- Beam Angle: 30°
- CCT: 3000K 4000K 5000K
- Ra: >90
- Dimension:  $\varnothing$  69\*160mm



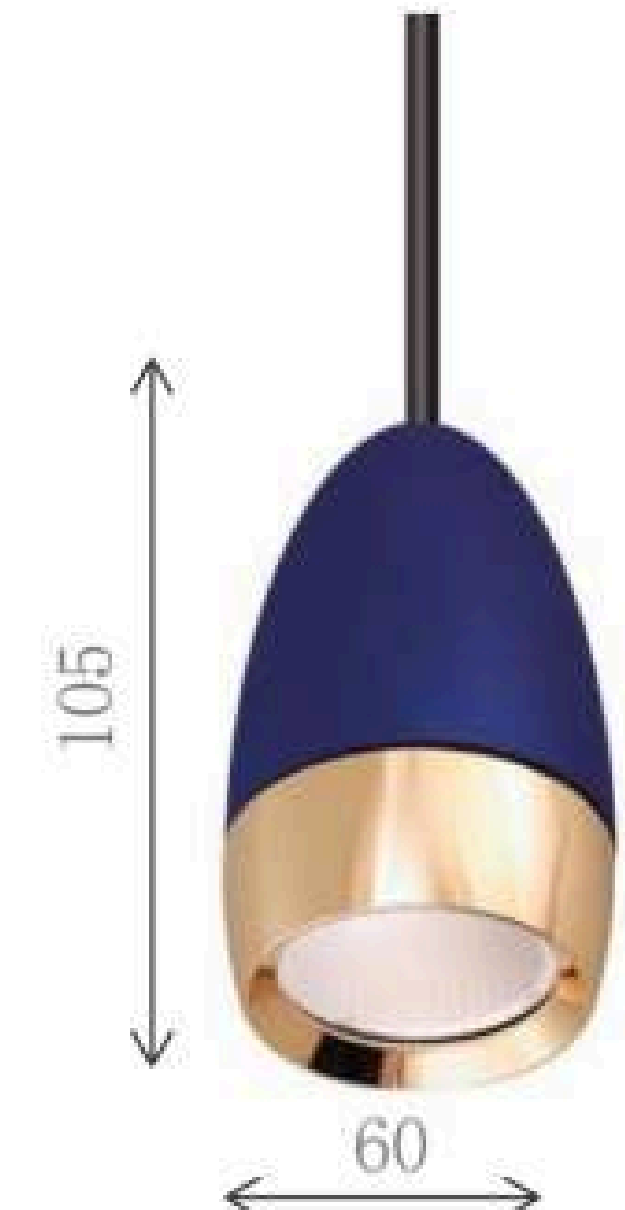
- Model No.: MS30-PD007
- Input Voltage: 48V
- Wattage: 7W
- Beam Angle: 20°
- CCT: 3000K 4000K 5000K
- Ra: >90
- Dimension:  $\varnothing$  82\*80mm



- Model No.: MS30-PD008
- Input Voltage: 48V
- Wattage: 7W
- Beam Angle: 60°
- CCT: 3000K 4000K 5000K
- Ra: >90
- Dimension:  $\varnothing$  90\*75mm



- Model No.: MS30-PD009
- Input Voltage: 48V
- Wattage: 7W
- Beam Angle: 20°
- CCT: 3000K 4000K 5000K
- Ra: >90
- Dimension:  $\varnothing$  95\*120mm



- Model No.: MS30-PD010
- Input Voltage: 48V
- Wattage: 7W
- Beam Angle: 20°
- CCT: 3000K 4000K 5000K
- Ra: >90
- Dimension:  $\varnothing$  60\*105mm